



# Spread Spectrum Clock Generator AK8126A

## Features

- **Output Frequency Range:**
  - 22.5MHz – 32MHz,
  - 45 MHz – 64MHz
  - 90MHz – 128MHz
- **Configurable Spread Spectrum Modulation:**
  - **AKEMD's Original Spread Spectrum Profile**
  - **Modulation Ratio:**
    - Center Spread:**
    - ±0.25%, ±0.5%, ±1.0%, ±1.5%
    - Down Spread:**
    - 0.5%, -1.0%, -2.0%, -3.0%
  - **Modulation Frequency:**
    - 27.04KHz – 38.46KHz
    - \* 30.05KHz at 100MHz
- **Input Frequency Range:**
  - **Crystal: 22.5MHz – 32MHz**
  - **Reference Clock Input : 22.5MHz – 32MHz**
  - 45MHz – 64MHz
  - 90MHz – 128MHz
- **Low Jitter Performance:**
  - 100 ps (Max.) Cycle-to-cycle  $1\sigma$
- **Low Current Consumption:**
  - 4.5mA (Typ.) at 100MHz, 3.3V
- **Supply Voltage:**
  - 3.0 – 3.6V
- **Operating Temperature Range:**
  - 10 to +85°C
- **Package:**
  - 10-pin TMSOP (Thin Miniature SOP )

## Description

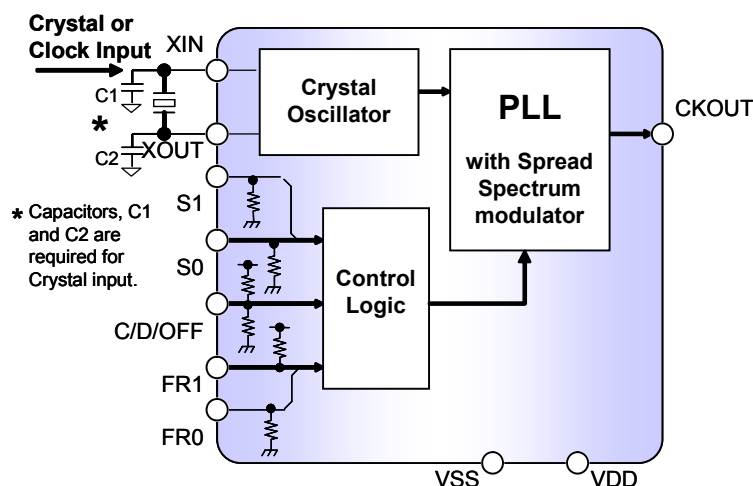
The AK8126A is a spread spectrum clock generator designed for Home AV applications where EMI elimination is seriously required. The device uses the AKEMD's original spread spectrum profile\*\* to provide excellent EMI reduction effect without degradation of system performance. The AK8126A accepts a wide clock frequency range from a crystal or reference clock input, and provides a variable spread spectrum modulation selectable by pin-setting, allowing the device to use in most AV products easily. The device is available in a very small 10-pin TMSOP package, and its pin configuration offers simple PCB layout.

\*\* : Patent pending

## Applications

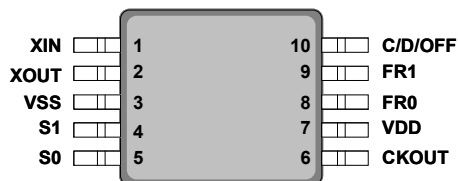
- Digital TV Sets
- Display Panels
- Personal Video Recorders
- Set-Top-Boxes
- Multi Media Receivers
- PC graphics board

## Block Diagram



AK8126A Spread Spectrum Clock Generator

### Pin Descriptions



Package: 10-Pin TMSOP (Top View)

Pin No.	Pin Name	Pin Type	Description
1	XIN	IN	Crystal Input or Reference Clock Input
2	XOUT	OUT	Crystal Output. Leave this pin floating when the external clock is used.
3	VSS	--	Ground
4	S1	IN	Spread Spectrum Modulation Ratio Select Pin1 (1)
5	S0	IN	Spread Spectrum Modulation Ratio Select Pin0 (1)
6	CKOUT	OUT	Clock Output
7	VDD	--	Power Supply
8	FR0	IN	Clock Frequency Range Select Pin 0 (2)
9	FR1	IN	Clock Frequency Range Select Pin 1 (1)
10	C/D/OFF	IN	Spread Spectrum Modulation Mode Select Pin (3)

(1) Internal pull down 360kΩ (Typ.)

(2) Internal pull up 360kΩ (Typ.)

(3) 3-Level Input for Low/Mid/Hi. Biased at 1/2 of VDD with pull-up/down resistors of 360kΩ (Typ.).

### Ordering Information

Part Number	Marking	Shipping Packaging	Package	Temperature Range
AK8126A	126A	Tape and Reel	10-pin TMSOP	-10 to 85 °C

## Absolute Maximum Rating

Over operating free-air temperature range unless otherwise noted <sup>(1)</sup>

Items	Symbol	Ratings	Unit
Supply Voltage	VDD	-0.3 to 4.6	V
Input Voltage	V <sub>in</sub>	VSS-0.3 to VDD+0.3	V
Input Current (any pins except supplies)	I <sub>IN</sub>	±10	mA
Storage Temperature	T <sub>stg</sub>	-55 to 130	°C

Note

(1) Stress beyond those listed under “Absolute Maximum Ratings” may cause permanent damage to the device. These are stress ratings only. Functional operation of the device at these or any other conditions beyond those indicated under “Recommended Operating Conditions” is not implied. Exposure to absolute-maximum-rating conditions for extended periods may affect device reliability. Electrical parameters are guaranteed only over the recommended operating temperature range.



### ESD Sensitive Device

This device is manufactured on a CMOS process, therefore, generically susceptible to damage by excessive static voltage. Failure to observe proper handling and installation procedures can cause damage. AKM recommends that this device is handled with appropriate precautions.

## Recommended Operation Conditions

Parameter	Symbol	Conditions	Min	Typ	Max	Unit
Operating Temperature	T <sub>a</sub>		-10		85	°C
Supply Voltage	VDD		3.0	3.3	3.6	V
Input Clock Frequency <sup>(1)</sup>	Fin 1	Crystal	22.5		32	MHz
	Fin 2	External Reference Clock Input Fin2 ≤ 100MHz Amplitude: More than 1Vpp Duty: 30%-70%	22.5		32	MHz
		Fin > 100MHz Amplitude: More than 1.2Vpp Duty: 40%-60%	45		64	MHz
Output Load Capacitance	Cp1	Output Frequency 22.5 – 64MHz			15	pF
		Output Frequency 90 – 100MHz			10	pF
		Output Frequency 100 – 128MHz			8	pF

Note:

(1) Frequency range to operate is required to select by pin-setting of FR0 (Pin 8) and FR1 (Pin 9). See Table for the frequency range selection.

## DC Characteristics

All specifications at VDD: over 3.0 to 3.6V, Ta: -10 to +85°C, Output Frequency: over specified frequency, unless otherwise noted

Parameter	Symbol	Conditions	MIN	TYP	MAX	Unit
High Level Input Voltage 1	V <sub>IH 1</sub>	Pin: S0,S1,FR0, FR1	0.8VDD			V
Low Level Input Voltage 1	V <sub>IL 1</sub>	Pin: S0,S1,FR0, FR1			0.2VDD	V
High Level Input Voltage 2	V <sub>IH 2</sub>	Pin: C/D/OFF	0.8VDD			V
Low Level Input Voltage 2	V <sub>IL 2</sub>	Pin: C/D/OFF			0.15VDD	V
Mid Level Input Voltage 2	V <sub>IM 2</sub>	Pin: C/D/OFF	0.45VDD	0.50VDD	0.55VDD	V
Input Current	I <sub>L</sub>	Pin: S0, S1, FR0, FR1, C/D/OFF	-20		+20	μA
High Level Output Voltage	V <sub>OH</sub>	Pin: CLKOUT I <sub>OH</sub> =-4mA	0.8VDD			V
Low Level Output Voltage	V <sub>OL</sub>	Pin: CLKOUT I <sub>OL</sub> =+4mA			0.2VDD	V
Current Consumption	I <sub>DD</sub>	No load, Ta=25°C Input frequency 100MHz Spread Spectrum Mode selection by note <sup>(2)</sup>		4.5		mA

(2) In the mode of center spread ±1.0%

## AC Characteristics

All specifications at VDD: over 3.0 to 3.6V, Ta: -10 to +85°C, Output Frequency: over specified frequency, unless otherwise noted

Parameter	Symbol	Conditions	MIN	TYP	MAX	Unit
Output Clock Duty Cycle <sup>(4)</sup>			40	50	60	%
Output Clock Rise Time <sup>(4)</sup>	t <sub>rise</sub>			1.2		ns
Output Clock Fall Time <sup>(4)</sup>	t <sub>fall</sub>			1.2		ns
Output Clock Jitter	Jit 1	Cycle-to-cycle 1σ, 1x			100	ps
	Jit 2	Cycle-to-cycle Peak-to-peak, 1x			600	ps
Output Lock Time <sup>(3)</sup>	t <sub>lock</sub>	Power-up		5		ms

(3) The time that output reaches the target frequency within accuracy of ±0.1% from the point that the power supply reaches VDD

(4) With the load capacitance specified by the recommended operation conditions

## Spread Spectrum Modulation Characteristics

All specifications at VDD: over 3.0 to 3.6V, Ta: -10 to +85°C, Output Frequency: over specified frequency, unless otherwise noted

Parameter	Symbol	Conditions	MIN	TYP	MAX	Unit
Modulation Frequency <sup>(5)</sup>	$f_{mod}$		27.04		38.46	kHz
Modulation Ratio @ Center Spread	Mod C	Ratio Selection Pin S[1:0]=LH		±0.25		%
		Ratio Selection Pin S[1:0]=LL		±0.5		
		Ratio Selection Pin S[1:0]=HL		±1.0		
		Ratio Selection Pin S[1:0]=HH		±1.5		
Modulation Ratio @ Down Spread	Mod D	Ratio Selection Pin S[1:0]=LH		-0.5		%
		Ratio Selection Pin S[1:0]=LL		-1.0		
		Ratio Selection Pin S[1:0]=HL		-2.0		
		Ratio Selection Pin S[1:0]=HH		-3.0		
Average Modulation Frequency Offset <sup>(6)</sup> @ Down Spread	$f_{mod-off}$	Ratio Selection Pin S[1:0]=LH		-0.36		%
		Ratio Selection Pin S[1:0]=LL		-0.6		
		Ratio Selection Pin S[1:0]=HL		-1.2		
		Ratio Selection Pin S[1:0]=HH		-1.8		

(5) Modulation frequency is determined by input frequency range. Following equations provide the theoretical modulation frequency of AK8126A.

Output Frequency Range 22.5-32MHz:  $f_{mod}(kHz) = 19.23kHz \times f_{in}(MHz) / 16MHz$

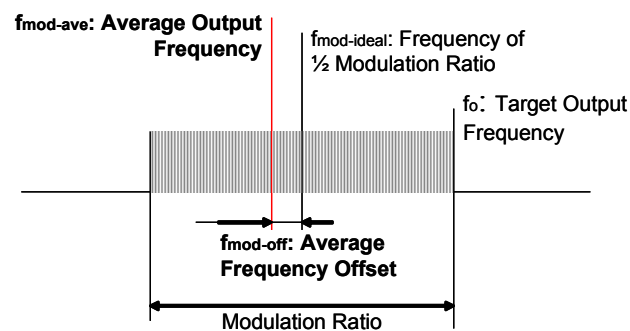
45-64MHz:  $f_{mod}(kHz) = 19.23kHz \times f_{in}(MHz) / 32MHz$

90-128MHz:  $f_{mod}(kHz) = 19.23kHz \times f_{in}(MHz) / 64MHz$

90-128MHz, x4 Output mode:  $f_{mod}(kHz) = 19.23kHz \times f_{in}(MHz) / 16MHz$

Where,  $f_{in}$  is an input frequency of crystal or reference clock input.

(6) The average output frequency in the mode of down spread modulation is intentionally offset against the ideal average frequency. The offset is specified by percentage to the target output frequency as shown in **figure 1**.



**Figure 1: Offset in the mode of down spread modulation**

## Operation Clock Frequency Range Selection

The AK8126A operates at a wide frequency range to support clocking in most of Home AV products. The operation frequency range applying to the AK8126A is required to select by pin-setting of FR0 (Pin8) and FR1 (Pin9), as shown in **Table 1**.

**Table 1: Operation Clock Frequency Setting**

Pin Setting		Input Frequency (MHz)	Output Frequency (MHz)	Input Frequency Scaling	Applicable Input	
FR1	FR0				Crystal	Clock
L	L	22.5 – 32	22.5 – 32	x 1	✓	✓
L	H	45 – 64	45 – 64		✓	✓
H	L	90 – 128	90 – 128		✓	✓
H	H	22.5 – 32	90 – 128	x4	✓	✓

## Spread Spectrum Modulation Selection

The AK8126A operates in two modes of spread spectrum modulation. One is “Center Spread Modulation” in which the frequency deviation from the target output frequency is equal to the lower side and the upper side. The other one is “Down Spread Modulation”, which will be used in applications where the target clock is providing at a maximum frequency rate of that system. In this mode, the maximum spread frequency is equal to the target frequency, and the frequency deviation is provided in the lower side. The AK8126A can provide a variable modulation ratio with the AKM’s original spread profile for both modulation modes, offering appropriate tune for EMI elimination without degradation of system performance.

The modulation mode and the modulation ration are selectable by pin setting of C/D/OFF (Pin 10) and S[1:0] (Pin 4 and 5), as defined in **Table 2** and **Table 3**, respectively.

**Table 2: Spread Spectrum Modulation Mode Setting**

Pin Setting	Modulation Mode
C/D/OFF	
L	Down Spread
M	No Modulation
H	Center Spread

**Table 3: Modulation Ratio Setting**

Pin Setting		Modulation Ratio (%)	
S1	S0	Center Spread Mode	Down Spread Mode
L	L	± 0.5	-1.0
L	H	± 0.25	- 0.5
H	L	± 1.0	-2.0
H	H	± 1.5	- 3.0



## IMPORTANT NOTICE

- These products and their specifications are subject to change without notice.  
When you consider any use or application of these products, please make inquiries the sales office of Asahi Kasei Microdevices Corporation (AKM) or authorized distributors as to current status of the products.
- AKM assumes no liability for infringement of any patent, intellectual property, or other rights in the application or use of any information contained herein.
- Any export of these products, or devices or systems containing them, may require an export license or other official approval under the law and regulations of the country of export pertaining to customs and tariffs, currency exchange, or strategic materials.
- AKM products are neither intended nor authorized for use as critical components<sup>Note1</sup> in any safety, life support, or other hazard related device or system<sup>Note2</sup>, and AKM assumes no responsibility for such use, except for the use approved with the express written consent by Representative Director of AKM. As used here:
  - Note1) A critical component is one whose failure to function or perform may reasonably be expected to result, whether directly or indirectly, in the loss of the safety or effectiveness of the device or system containing it, and which must therefore meet very high standards of performance and reliability.
  - Note2) A hazard related device or system is one designed or intended for life support or maintenance of safety or for applications in medicine, aerospace, nuclear energy, or other fields, in which its failure to function or perform may reasonably be expected to result in loss of life or in significant injury or damage to person or property.
- It is the responsibility of the buyer or distributor of AKM products, who distributes, disposes of, or otherwise places the product with a third party, to notify such third party in advance of the above content and conditions, and the buyer or distributor agrees to assume any and all responsibility and liability for and hold AKM harmless from any and all claims arising from the use of said product in the absence of such notification.

Asahi Kasei EMD Corporation has changed its company name to Asahi Kasei Microdevices Corporation (AKM) effective 1st April 2009.

It is noted the documents according to this product, which was released before the date of 1st April 2009, shall include the old company name as Asahi Kasei EMD Corporation (AKEMD). These documents will be continuously valid by interpreting the old company name to the new one as Asahi Kasei Microdevices Corporation (AKM).

Further information of this company name change, contact AKM's sales person or AKM's authorized distributor.