



Single Clock Generator AK8128A

Features

- **Output Frequency Range:**
72.25MHz, (74.25/1.001)MHz
148.5MHz, (148.5/1.001)MHz
- **Input Frequency:**
27MHz
- **Low Jitter Performance:**
20 ps (Typ.) Period, 1σ
220ps(Typ.) 1000cycle long term, p-p
- **Low Current Consumption:**
8mA (Typ.)
- **Output Load:**
15pF (max.) for 74.25MHz
10pF (max.) for 148.5MHz
- **Supply Voltage:**
3.0 – 3.6V
- **Operating Temperature Range:**
-20 to +85°C
- **Package:**
10-pin TMSOP (lead-free)

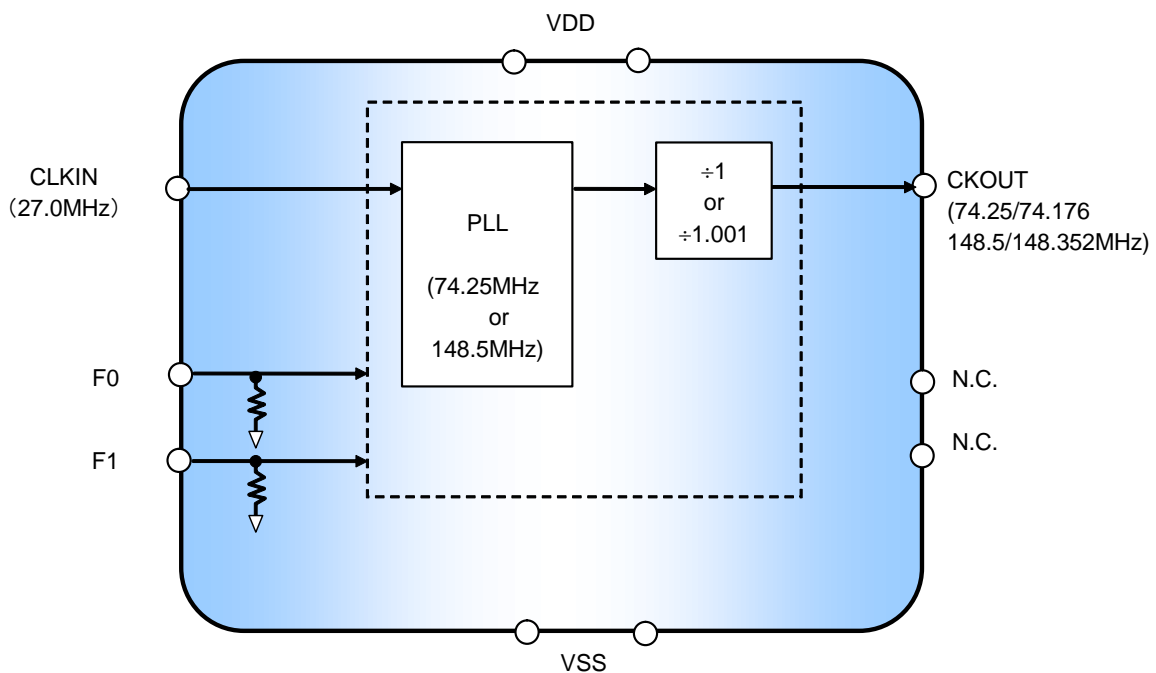
Description

The AK8128A is a single clock generator IC with an integrated PLL. It can generate a clock for High-Definition display from a 27MHz master clock input frequency. A high performance PLL locks to the master clock input, generating a low jitter, highly accurate clock output without an external crystal.

Applications

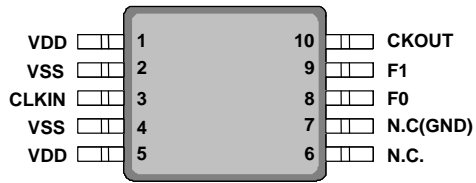
- DTV
- PVR
- DVC
- DSC

Block Diagram



AK8128A Single Clock Generator

Pin Descriptions



Package: 10-Pin TMSOP (Top View)

Pin No.	Pin Name	Pin Type	Description
1	VDD	--	Power Supply
2	VSS	--	Ground
3	CLKIN	IN	27MHz External Clock Input
4	VSS	--	Ground
5	VDD	--	Power Supply
6	N.C	--	Connect to VSS
7	N.C	--	Connect to VSS
8	F0	IN	Clock Frequency Range Select Pin 0. (1) (2)
9	F1	IN	Clock Frequency Range Select Pin 1. (1) (2)
10	CKOUT	OUT	Clock Output

- (1) Internal pull down 400kΩ (Typ.)
- (2) See Table1 for output frequency settings.

Table 1: Operation Clock Frequency Setting

Pin Setting		CKOUT1 (MHz)
F1	F0	
L	L	74.25
L	H	74.25/1.001
H	L	148.5
H	H	148.5/1.001

Ordering Information

Part Number	Marking	Shipping Packaging	Package	Temperature Range
AK8128A	128A	Tape and Reel	10-pin TMSOP	-20 to 85 °C

Absolute Maximum Rating

Over operating free-air temperature range unless otherwise noted ⁽¹⁾

Items	Symbol	Ratings	Unit
Supply Voltage	VDD	-0.3 to 4.6	V
Input Voltage	V _{in}	VSS-0.3 to VDD+0.3	V
Input Current (any pins except supplies)	I _{IN}	±10	mA
Storage Temperature	T _{stg}	-55 to 130	°C

Note

(1) Stress beyond those listed under “Absolute Maximum Ratings” may cause permanent damage to the device. These are stress ratings only. Functional operation of the device at these or any other conditions beyond those indicated under “Recommended Operating Conditions” is not implied. Exposure to absolute-maximum-rating conditions for extended periods may affect device reliability. Electrical parameters are guaranteed only over the recommended operating temperature range.



ESD Sensitive Device

This device is manufactured on a CMOS process, therefore, generically susceptible to damage by excessive static voltage. Failure to observe proper handling and installation procedures can cause damage. AKM recommends that this device is handled with appropriate precautions.

Recommended Operation Conditions

Parameter	Symbol	Conditions	Min	Typ	Max	Unit
Operating Temperature	T _a		-20		85	°C
Supply Voltage	VDD		3.0	3.3	3.6	V
Input Clock Frequency	F _{in}			27		MHz
Input Clock Duty Cycle			30	50	70	%
Output Load Capacitance	C _{p1}	74.25MHz, 74.175MHz			15	pF
	C _{p2}	148.5MHz, 148.351MHz			10	pF

Note:

(1) Power to VDDs requires to be supplied from a single source. A decoupling capacitor of 0.1 μF for power supply line should be installed close to each VDD pin.

DC Characteristics

All specifications at VDD: over 3.0 to 3.6V, Ta: -20 to +85°C, Input Frequency: 27MHz, unless otherwise noted

Parameter	Symbol	Conditions	MIN	TYP	MAX	Unit
High Level Input Voltage	V _{IH}	Pin: CLKIN, FSEL, OE	0.7VDD			V
Low Level Input Voltage	V _{IL}	Pin: CLKIN, FSEL, OE			0.3VDD	V
Input Current 1	I _{L1}	Pin: CLKIN	-10		+10	μA
Input Current 2	I _{L2}	Pin: F0,F1	-20		+20	μA
High Level Output Voltage	V _{OH}	Pin: CLKOUT I _{OH} =-4mA	0.8VDD			V
Low Level Output Voltage	V _{OL}	Pin: CLKOUT I _{OL} =+4mA			0.2VDD	V
Current Consumption	I _{DD}	No load @74.25MHz (VDD=3.3V, Ta=25°C)		8	12	mA

AC Characteristics

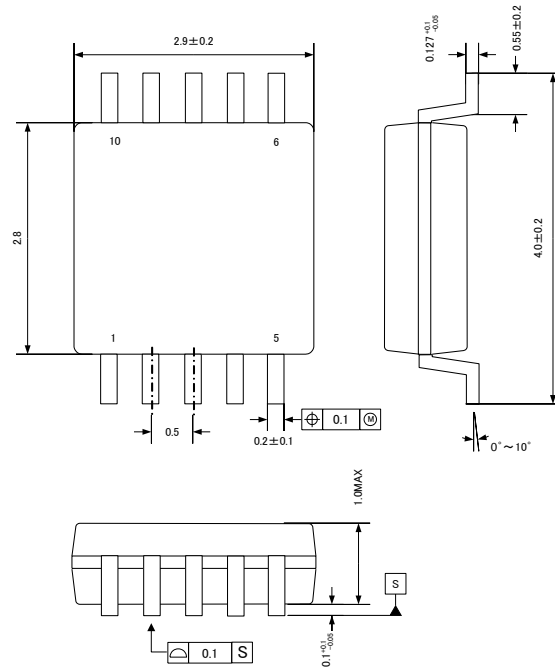
All specifications at VDD: over 3.0 to 3.6V, Ta: -20 to +85°C, Input Frequency: 27MHz, unless otherwise noted

Parameter	Symbol	Conditions	MIN	TYP	MAX	Unit
Output Clock Duty Cycle			45	50	55	%
Output Clock Rise Time	t _{rise}	0.2VDD to 0.8VDD		1.2	2.0	ns
Output Clock Fall Time	t _{fall}	0.2VDD to 0.8VDD		1.2	2.0	ns
Output Clock Jitter 1	Jit1	Period, 1σ in 10000 sampling		20	100	ps
Output Clock Jitter 2	Jit2	Long term 1000 cycle p-p ±3σ in 10000 sampling		220	350	ps
Output Lock Time ⁽¹⁾	t _{lock}	Power-up		1	3	ms

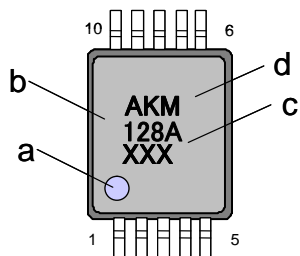
- (1) The time that output reaches the target frequency within accuracy of ±0.1% from the point that the power supply reaches VDD
- (2) With the load capacitance specified by the recommended operation conditions

Package Information

• Mechanical data

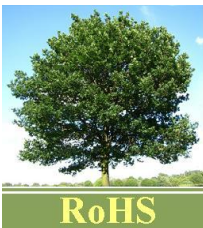


• Marking



- a: #1 Pin Index
- b: Part number
- c: Date code (3 digits)
- d: Product Family Logo

• RoHS Compliance



All integrated circuits from Asahi Kasei Microdevices Corporation (AKM) assembled in “lead-free” packages* are fully compliant with RoHS.

(*) RoHS compliant products from AKM are identified with “Pb free” letter indication on product label posted on the anti-shield bag and boxes.

IMPORTANT NOTICE

0. Asahi Kasei Microdevices Corporation (“AKM”) reserves the right to make changes to the information contained in this document without notice. When you consider any use or application of AKM product stipulated in this document (“Product”), please make inquiries the sales office of AKM or authorized distributors as to current status of the Products.
1. All information included in this document are provided only to illustrate the operation and application examples of AKM Products. AKM neither makes warranties or representations with respect to the accuracy or completeness of the information contained in this document nor grants any license to any intellectual property rights or any other rights of AKM or any third party with respect to the information in this document. You are fully responsible for use of such information contained in this document in your product design or applications. **AKM ASSUMES NO LIABILITY FOR ANY LOSSES INCURRED BY YOU OR THIRD PARTIES ARISING FROM THE USE OF SUCH INFORMATION IN YOUR PRODUCT DESIGN OR APPLICATIONS.**
2. The Product is neither intended nor warranted for use in equipment or systems that require extraordinarily high levels of quality and/or reliability and/or a malfunction or failure of which may cause loss of human life, bodily injury, serious property damage or serious public impact, including but not limited to, equipment used in nuclear facilities, equipment used in the aerospace industry, medical equipment, equipment used for automobiles, trains, ships and other transportation, traffic signaling equipment, equipment used to control combustions or explosions, safety devices, elevators and escalators, devices related to electric power, and equipment used in finance-related fields. Do not use Product for the above use unless specifically agreed by AKM in writing.
3. Though AKM works continually to improve the Product’s quality and reliability, you are responsible for complying with safety standards and for providing adequate designs and safeguards for your hardware, software and systems which minimize risk and avoid situations in which a malfunction or failure of the Product could cause loss of human life, bodily injury or damage to property, including data loss or corruption.
4. Do not use or otherwise make available the Product or related technology or any information contained in this document for any military purposes, including without limitation, for the design, development, use, stockpiling or manufacturing of nuclear, chemical, or biological weapons or missile technology products (mass destruction weapons). When exporting the Products or related technology or any information contained in this document, you should comply with the applicable export control laws and regulations and follow the procedures required by such laws and regulations. The Products and related technology may not be used for or incorporated into any products or systems whose manufacture, use, or sale is prohibited under any applicable domestic or foreign laws or regulations.
5. Please contact AKM sales representative for details as to environmental matters such as the RoHS compatibility of the Product. Please use the Product in compliance with all applicable laws and regulations that regulate the inclusion or use of controlled substances, including without limitation, the EU RoHS Directive. AKM assumes no liability for damages or losses occurring as a result of noncompliance with applicable laws and regulations.
6. Resale of the Product with provisions different from the statement and/or technical features set forth in this document shall immediately void any warranty granted by AKM for the Product and shall not create or extend in any manner whatsoever, any liability of AKM.
7. This document may not be reproduced or duplicated, in any form, in whole or in part, without prior written consent of AKM.