



AP1029ADN

32V H-Bridge DC Motor Driver IC

1. General Description

The AP1029ADN is a 1ch H-Bridge motor driver that corresponds to an operating voltage of 32V. Four drive modes, which are forward, reverse, brake, and standby are available. An N-ch MOSFET is located at low side and a P-ch MOSFET is located at high side of the output block. The output voltage can be controlled externally or by PWM input signal. Since the AP1029ADN utilizes internal regulator outputs as control power, it can be operated by a single power supply so that external components are able to be reduced. It also features an under voltage lockout circuit, a thermal shutdown circuit and an over-current protection circuit.

2. Features

- | | |
|--|--|
| • Operating Temperature Range | -40°C ~ 85°C |
| • Motor Driver Operating Voltage Range | 5.5V ~ 32V |
| • Maximum Output Current (DC) | 1.2 A (Ta=25°C) |
| • H-Bridge On Resistance | 1.0Ω@Ta=25°C |
| • Switchable output voltage control function | Input Signal Control, External Voltage Control |
| • Built-in Start-up Function | Hard-start and Soft-start functions (selectable) |
| • Built-in 4.5V Output Regulator | |
| • Anomaly Detection Output pin (FLG pin) | |
| • Built-in Under Voltage Lockout Circuit | 4.5V(typ) |
| • Built-in Thermal Shutdown Circuit | 175°C(typ) |
| • Built-in Over Current Protection Circuit | 1.5A(min) |
| • Package | 16-pin QFN (3mm×3mm) |

3. Table of Contents

1. General Description	1
2. Features	1
3. Table of Contents	2
4. Block Diagram and Functions	3
■ Functions	4
5. Ordering Guide	4
6. Pin Configurations and Functions	5
■ Pin Configurations	5
■ Functions	5
7. Absolute Maximum Ratings	6
8. Recommended Operating Conditions	7
9. Electrical Characteristics	7
10. Functional Descriptions	10
10.1 Output Voltage	10
10.2 Control Logic	10
10.3 Start-up Function	11
10.4 Operation Description After Enable Input Level Transition	13
10.5 Protection Circuits	14
11. Recommended External Circuits	15
12. Package	16
■ Outline Dimensions	16
■ Marking	16
13. Revise History	17
IMPORTANT NOTICE	18

4. Block Diagram and Functions

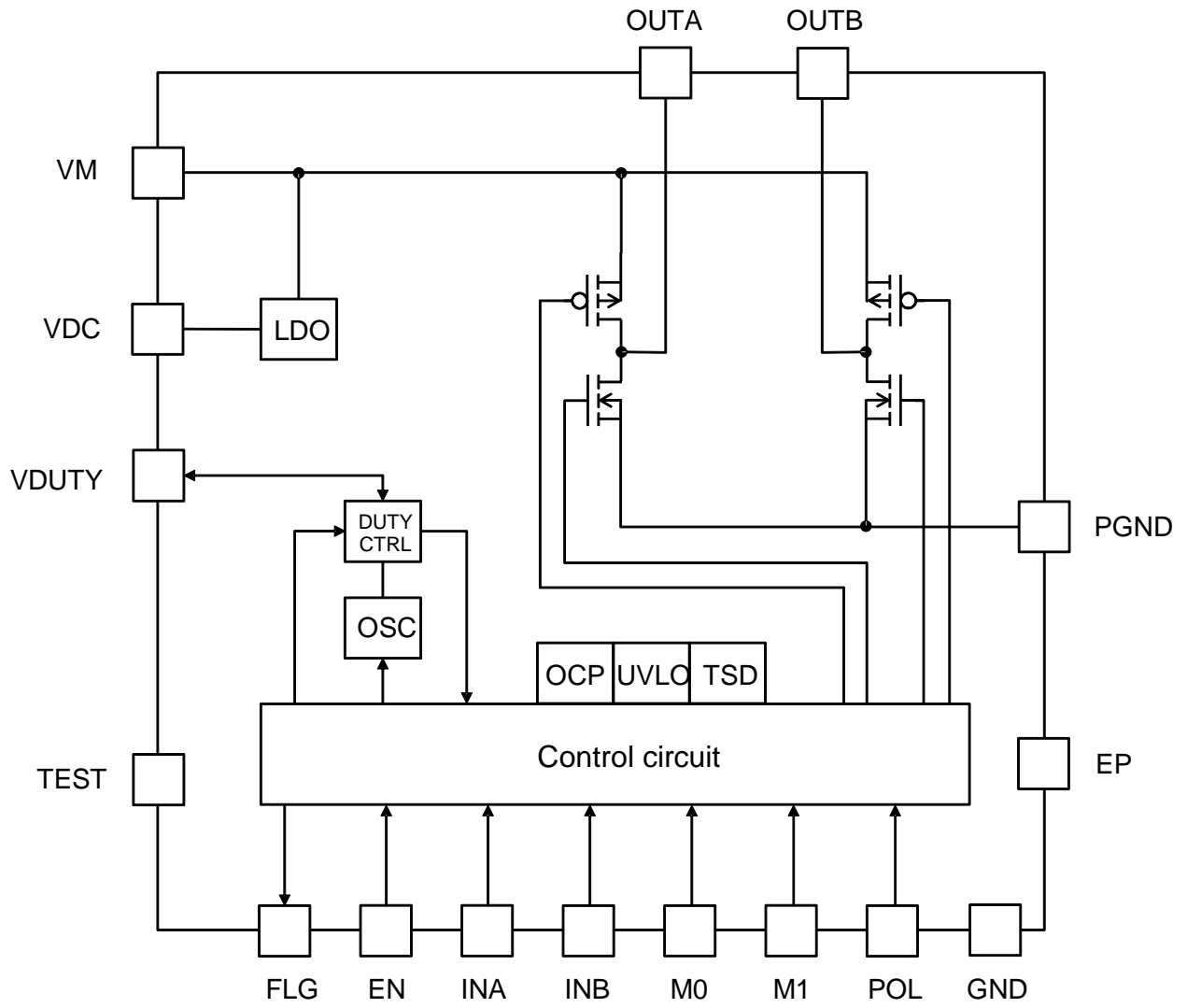


Figure 1. Block Diagram

■ Functions

- 4.5V Output LDO (LDO)

Generate a voltage of 4.5V from $V_M = 5.5 \sim 32V$, and then output to the external terminal (VDC).

- Oscillator(OSC)

50kHz oscillator. It is used as clock of the PWM chopper frequency.

- VM Under Voltage Lockout (UVLO)

It is an under Voltage Lockout circuit for VM with hysteresis.

- Thermal Shutdown (TSD)

It is an internal Thermal Shutdown detection circuit with hysteresis.

- Over Current Protection (OCP)

It is an output stage overcurrent detection circuit for the OUTB and the OUTA pins. If the detected over current lasts for 10us, the OUTA and the OUTB become Hi-Z state for a certain period (350us) by this circuit. Hi-Z status will be released after 350us.

- PWM Duty Control (DUTYCTRL)

It is a PWM duty circuit. It generates the PWM duty ratio that corresponds to the ratio of VM voltage and VDUTY voltage. The duty ration can be adjusted by setting the M0 and the M1 pins.

- H-Bridge Driver

It consists of an N-ch LDMOS at low side and a P-ch LDMOS at high-side.

- Anomaly Detection Output

FLG pin is an open drain output pin. It outputs “H” signal by connecting to an external pull-up resistor. During normal operation, it outputs “L”. During standby state, overheat detection (TSD), over-current detection (OCP) or VM low voltage detection (UVLO) operation, it outputs “H” signal.

5. Ordering Guide

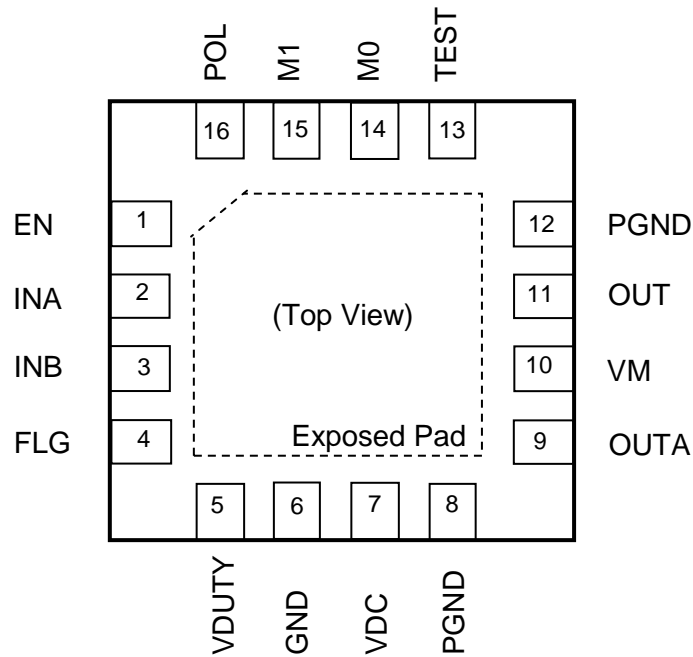
AP1029ADN

-40°C ~+85°C

16-pin QFN

6. Pin Configurations and Functions

■ Pin Configurations



■ Functions

Pin Number	Name	I/O (Note 1)	Function	Condition
1	EN	I	Enable signal input	200kΩ Pull-down
2	INA	I	Control signal input	200kΩ Pull-down
3	INB	I	Control signal input	200kΩ Pull-down
4	FLG	O	Flag Output	N-ch open-drain output
5	VDUTY	I/O	Output Duty Setting	
6	GND	P	Ground	
7	VDC	O	Internal 4.5V regulator output	
8	PGND	P	Power GND	(Note 2)
9	OUTA	O	Motor driver output	
10	VM	P	Motor driver power supply	
11	OUTB	O	Motor driver output	
12	PGND	P	Power GND	
13	TEST	I	TEST Pin	(Note 2)
14	M0	I	Output ratio Control	200kΩ Pull-up
15	M1	I	Output ratio Control	200kΩ Pull-up
16	POL	I	Soft Start polarity	200kΩ Pull-up
Exposed Pad	EP	P	Heat Dissipation	(Note 2)

Note 1. I(Input pin), O(Output pin), P(Power pin), I/O(Input / Output pin)

Note 2. The exposed pad must be connected to GND.

Note 3. Let M0, M1, POL pin open or connect VDC pin when make their signals “H”.

7. Absolute Maximum Ratings

Parameter	Symbol	min	max	Unit	Condition
Motor Power Supply Voltage	VM	-0.5	40	V	
VDC, EN, INA, INB, FLG Terminal	Vterm1	-0.5	5.5	V	
POL, VDUTY, M0, M1 Terminal	Vterm2	-0.5	VDC+0.5	V	$VDC+0.5 \leq 5.5V$
VM Level Terminal (OUTA, OUTB)	Vterm3	-0.5	$VM+V_F$	V	$VM+V_F \leq 40V$
GND-PGND Between	-	-0.3	0.3	V	
Output Current	Iload	-	1.2	A	OUTA, OUTB
Power Dissipation	PD	-	2	W	Ta=25°C (Note 5)
		-	1	W	Ta=85°C (Note 5)
Junction Temperature	Tj	-	150	°C	
Storage Temperature	Tstg	-50	150	°C	

Note 4. All above voltages are with respect to GND=PGND=0V. GND and PGND must be connected to a ground plane.

Note 5. The rating calculated by $\theta_{JA}=60^\circ\text{C}/\text{W}$. The exposed pad must be connected to ground. The exposed pad must be connected to GND.

WARNING: Operation at or beyond these limits may result in permanent damage to the device. Normal operation is not guaranteed at these extremes.

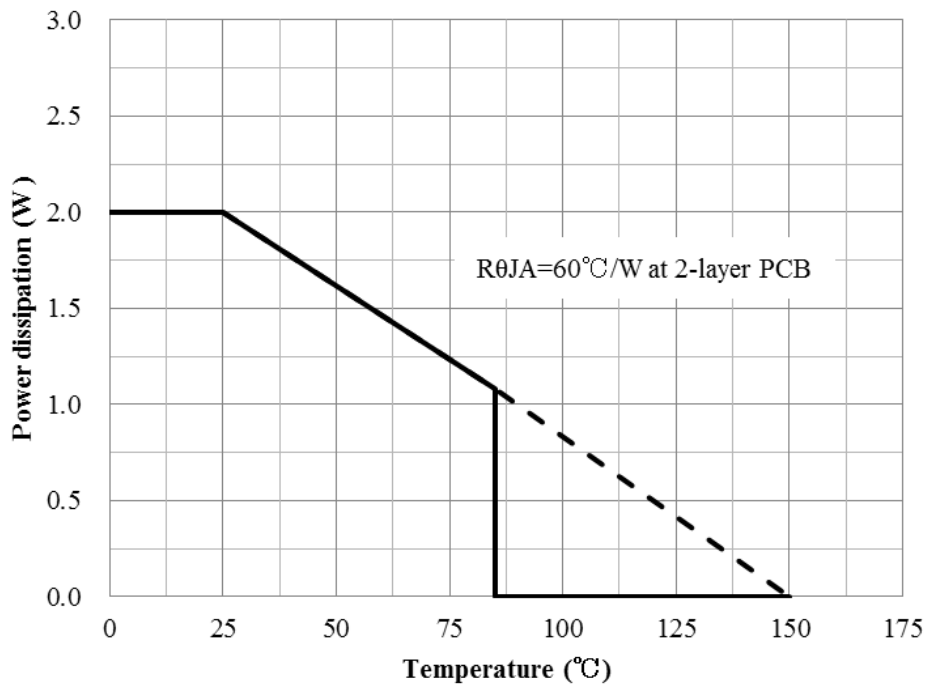


Figure 2. Maximum Power Dissipation

8. Recommended Operating Conditions

Parameter	Symbol	min	typ	Max	Unit	Condition
Motor Driver Supply Voltage	VM	5.5	12.0	32.0	V	
Input Frequency Range	Fin	-	-	200	kHz	M0=M1="H"
Operating Temperature Range	Ta	-40	-	85	°C	
VDUTY Input Voltage Range	V _{DUTY}	0.5	-	4.0	V	

Note 6. All above voltages are with respect to GND=PGND=0V.

9. Electrical Characteristics

(Ta = -40~85°C, VM=5.5~32V, unless otherwise specified.)

Parameter	Symbol	Condition	min	typ	max	Unit
Quiescent Current						
VM Quiescent Current at Power-OFF	I _{VMOFF}	EN= "L"	-	-	10	uA
VM Input Current at Operation	I _{VM}	EN= "H"	-	1.7	2.6	mA
H-Bridge Circuit						
Driver On Resistance (High Side+Low Side)	R _{ON1}	I _{load} =±100mA, Ta=25°C	-	0.8	1.5	Ω
Driver On Resistance (High Side+Low Side)	R _{ON2}	I _{load} =±1.0A, Ta=25°C	-	1.0	1.5	Ω
Driver On Resistance (High Side+Low Side)	R _{ON3}	I _{load} =±100mA	-	0.8	1.5	Ω
Body Diode Forward Voltage	V _F	I _F =100mA	-	0.8	1.2	V
PWM Chopper Frequency	f _{PWM}	M0=M1= "L" (Note 7)	25	50	95	kHz
H-Bridge Output Delay Time ("L"→"H")	t _{PDLHBB}	tr=tf=10ns (Note 8)	-	-	1.0	us
H-Bridge Output Delay Time ("H"→"L")	t _{PDHLHB}	tr=tf=10ns (Note 8)	-	-	1.0	us
H-Bridge Output Pulse Width	t _{PWOHB}	M0=M1= "H", INA=200kHz, PWL=1us, tr=tf=10ns	0.6	0.9	-	us
Output Duty Ratio 1	D _{DUTY1}	VM=12V, VDUTY=1.5V M0=M1= "L"	20	25	30	%
Output Duty Ratio 2	D _{DUTY2}	VM=12V, VDUTY=1.5V M0= "H", M1= "L"	40	50	60	%
Output Duty Ratio 3	D _{DUTY3}	VM=12V, VDUTY=1.5V M0= "L", M1= "H"	80	-	-	%

Parameter	Symbol	Condition	min	typ	max	Unit
4.5V Output Regulator						
Internal Regulator Output Voltage	V_{DC}	$I_{DC}=0.1\text{mA}$	4.0	4.5	5.0	V
Control Logic						
Input High Level Voltage	V_{IH}		2.0	-	-	V
Input Low Level Voltage	V_{IL}		-	-	0.8	V
Input Pulse Rise Time	t_R	$M0=M1=“H”$	-	-	1.0	us
Input Pulse Fall Time	t_F	$M0=M1=“H”$	-	-	1.0	us
Input High Level Current (EN, INA, INB)	I_{IH1}	$V_{IH}=3.0\text{V}$	7.5	15	30	uA
Input High Level Current (M0, M1, POL)	I_{IH1}	$V_{IH}=V_{DC}$	-1	-	1	uA
Input Low Level Current (EN, INA, INB)	I_{IL2}	$V_{IL}=0\text{V}$	-1	-	1	uA
Input Low Level Current (M0, M1, POL)	I_{IL2}	$V_{DC}=4.5\text{V}, V_{IL}=0\text{V}$	11.25	22.5	45	uA
Output High Level Voltage(VDUTY)	V_{OH}	INA=INB=“L”, POL=“H”, M1=“L” or M0=“L”, Io=-1mA	VDC-0.4	-	-	V
Output Low Level Voltage(VDUTY)	V_{OL}	INA=INB=“L”, POL=“L”, M1=“L” or M0=“L”, Io=+1mA	-	-	0.4	V
FLG-On Resistance	R_{ONFLG}	Io=+1mA	-	-	500	Ω
Protection Circuit						
VM Under Voltage Detect Voltage	VM_{UV}		4.0	4.5	5.0	V
Thermal Shutdown Temperature	T_{TSD}	(Note 9)	150	175	200	$^{\circ}\text{C}$
Temperature Hysteresis	T_{TSDHYS}	(Note 9)	-	30	-	$^{\circ}\text{C}$
Over Current Protection	I_{OCP}		1.5	-	-	A

Note 7. Refer to [Figure 4](#).

Note 8. Refer to [Figure 3](#).

Note 9. Not tested in production.

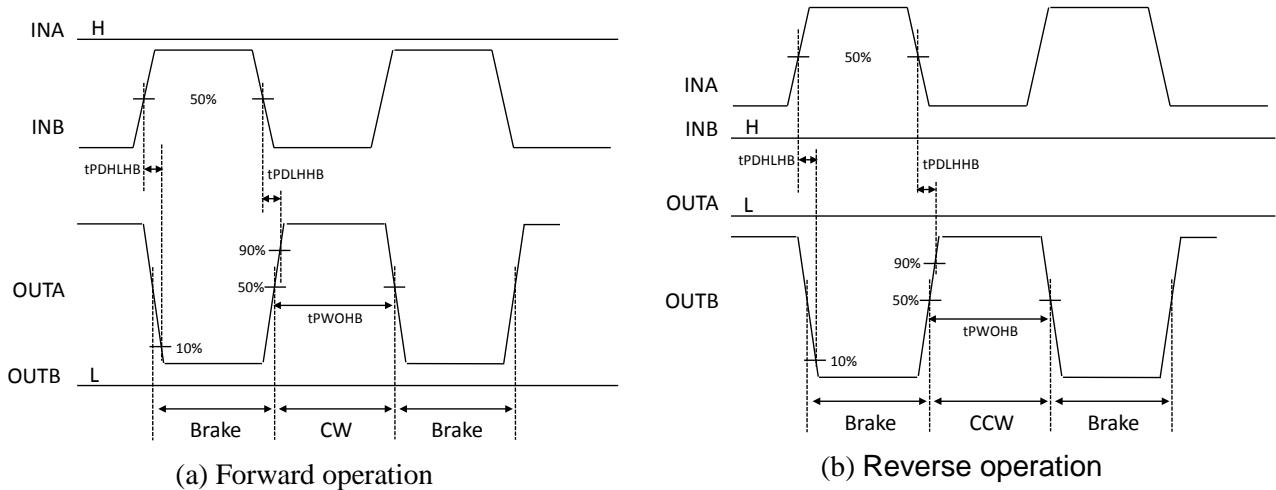


Figure 3. Output delay time timing chart (EN="H")

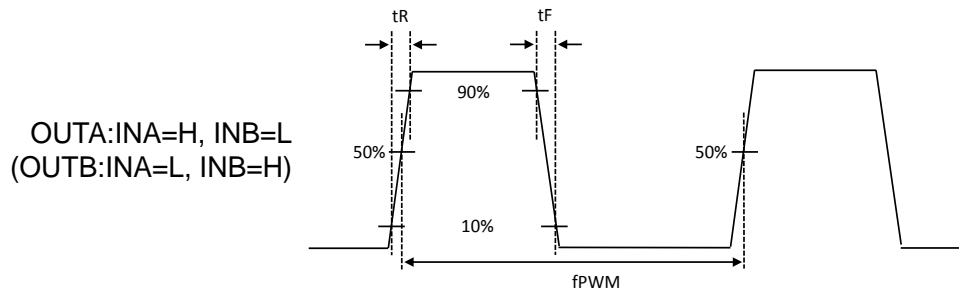


Figure 4. Output Rise /Fall Timing Chart (PWM Control Mode, EN="H")

10. Functional Descriptions

10.1 Output Voltage

Output voltage (Vout), is controlled by the PWM control mode that depends on the external reference voltage input to the VDUTY pin. However, Vout never exceeds VM. Vout is affected by on-resistance, load current and etc. under loaded condition.

$$V_{out} = VDUTY \times N \quad (\text{under no-load condition})$$

"N" is set by the M1 and the M0 pins as follows. However, in the case of M0 pin = M1 pin = "H", the AP1029ADN will not be in PWM control mode but be in Input control mode according to the INA and the INB inputs. Start-up function does not work at this time. When the AP1029ADN is used in input control mode, make sure that the VDUTY pin and the POL pin are Open.

For example, Vout will be 3V by setting M1 = M0 pins = "L" when VDUTY is 1.5V, and It will be 6V by setting M0 = "H" and M1 = "L" when VDUTY is 1.5V.

Table 1. Output Voltage Setting Table

M1	M0	Mode of operation	Start-up function
L	L	N=2, PWM control mode	On
L	H	N=4, PWM control mode	On
H	L	N=8, PWM control mode	On
H	H	Input control mode (INA and INB Inputs response operation)	Off

10.2 Control Logic

The relationship between the input and output of each mode are shown below.

Table 2. Truth Table

Input			Output		Function
EN	INA	INB	OUTA	OUTB	
H	L	L	Hi-Z	Hi-Z	Standby(idle)
H	L	H	L	H(PWM)	Reverse
H	H	L	H(PWM)	L	Forward
H	H	H	L	L	Brake(stop)
L	-	-	Hi-Z	Hi-Z	Stop

Note 10. See [Figure 8](#) and [Figure 9](#) for timing chart of Standby and Stop. See [Figure 3](#) for timing chart of Brake.

10.3 Start-up Function

The AP1029ADN has a start-up function. The VDUTY pin is used to set the Duty of the PWM control mode. In addition, by connecting the RDT1 and the RDT2 capacitances and the CDT resistance as shown in Figure 5, the AP1029ADN will execute a start-up operation. Start-up operation can be switched by setting the POL pin. Hard-start operation will be executed when the POL pin = "L" and Soft-start operation will be executed when the POL pin = "H".

Hard-start operation is for the situation when motor torque is needed at start-up.

Soft-start operation is for the situation when motor needs to rotate slowly at start-up.

Start-up function works in the following cases.

- ① INA or INB becomes "H" from standby mode. (Note that the initial mode should be standby, not brake.)
- ② the IC recovers from protection status.

Table 3. Start-up settings

INA	INB	POL	VDUTY pin status
L	L	L	H (Duty=100%)
L	L	H	L (Duty=0%)
H	-	-	Hi-Z
-	H	-	Hi-Z

How to use start-up function is shown below.

When the POL pin= "L", the EN pin= "H" and the INA = INB pins = "L", High side of the VDUTY pin output (MP1) is turned on, therefore the external capacitor (CDT) is charged by the VDC voltage. High side of the VDUTY pin output (MP1) will be turned off and capacity of the CDT is discharged by the RDT2 external resistor if INA = INB ≠ "L" is input, and then hard-start operation is executed. The VDUTY pin voltage is determined and stabilized by the RDT1 and the RDT2 external resistors. (Refer to Figure 6)

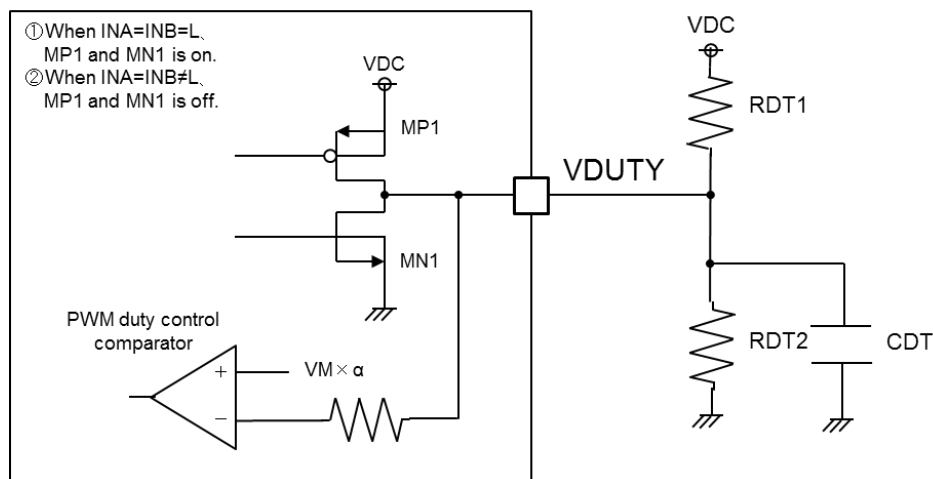


Figure 5. Start-up Circuit Example

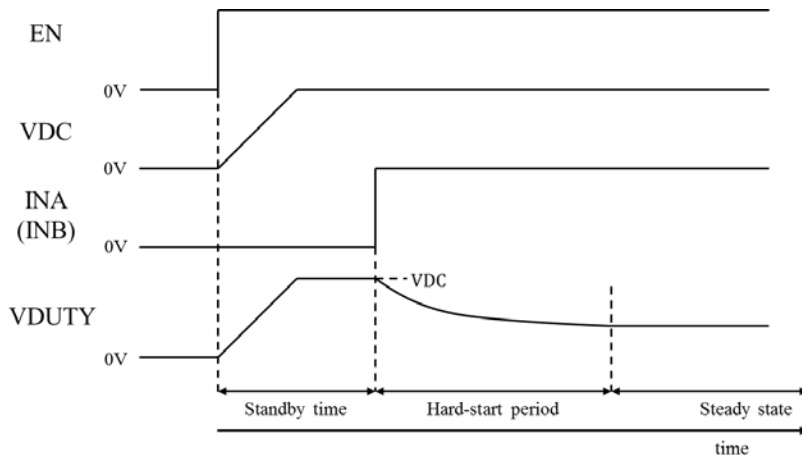


Figure 6. Start-up Operation Example (Hard Start: POL = “L”, pull-up power supply = VDC)

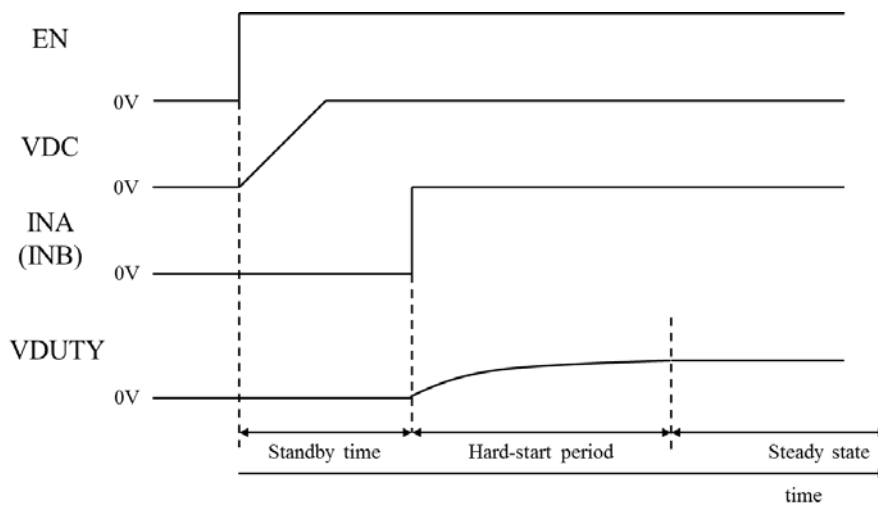


Figure 7. Start-up Operation Example (Soft-Start: POL = “H”, pull-up power supply = VDC)

VDUTY voltage after certain time(t) can be calculated as follows.

Soft-start :

$$VDUTY(V) = VDC - \frac{RDT1 * VDC}{RDT1 + RDT2} \left(1 + \frac{RDT2}{RDT1} \exp\left(-\frac{RDT1 + RDT2}{CDT * RDT1 * RDT2} * t \right) \right)$$

Hard-start :

$$VDUTY(V) = \frac{RDT2 * VDC}{RDT1 + RDT2} \left(1 + \frac{RDT1}{RDT2} \exp\left(-\frac{RDT1 + RDT2}{CDT * RDT1 * RDT2} * t \right) \right)$$

Sample Calculation:

(Condition; VDC=4.5V, RDT1=RDT2=1MΩ, CDT=1nF)

VDUTY after 500us

In case of Soft start : 1.422V

In case of Hard start : 3.078V

VDUTY after 5ms

In case of Soft start : 2.250V

In case of Hard start : 2.250V

10.4 Operation Description After Enable Input Level Transition

4.5V LDO output will rise by applying a 5.5V voltage or more to the VM pin and setting the EN pin = "H". Input the INA and the INB signals 3ms (t1 period) after the EN pin = "H", waiting for the stabilization of the VDC output. After the certain stabilization time of VDC output (t1 period), The IC becomes Standby and INA and INB input become valid. Figure 8 is timing chart from VM power supply to INA, INB input is valid.

When using start-up function, stabilization time may take more than 3ms depends on the value of the external resistance and capacitor connected to the VDUTY pin. In this case, input timing of INA and INB should be after stabilization of VDUTY pin voltage.

4.5V LDO output stops after inputting "L" to EN pin. Within 100ms(t2 period), OUTA and OUTB become Hi-Z(Stop). Do not change input levels of INA and INB, because OUTA and OUTB changes according to input level of INA and INB during t2 period. Figure 9 is timing chart from IN="H" becomes "L" to OUTA=OUTB = Hi-Z.

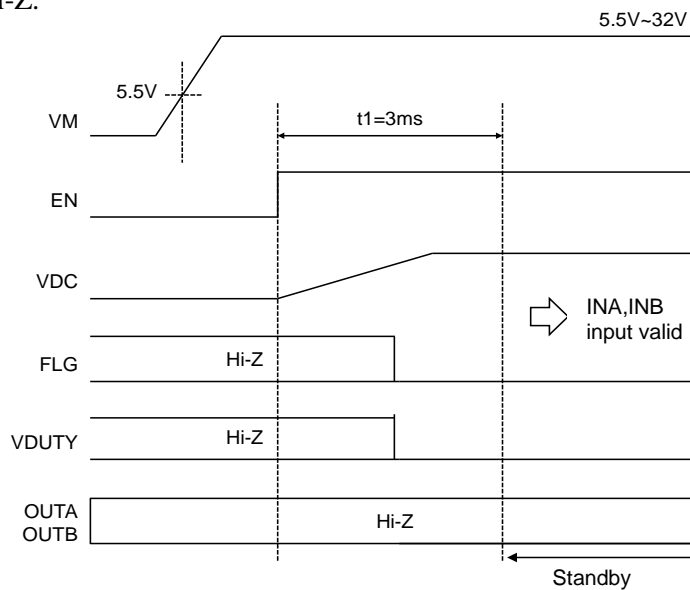


Figure 8. Timing Chart of EN voltage input after power-up

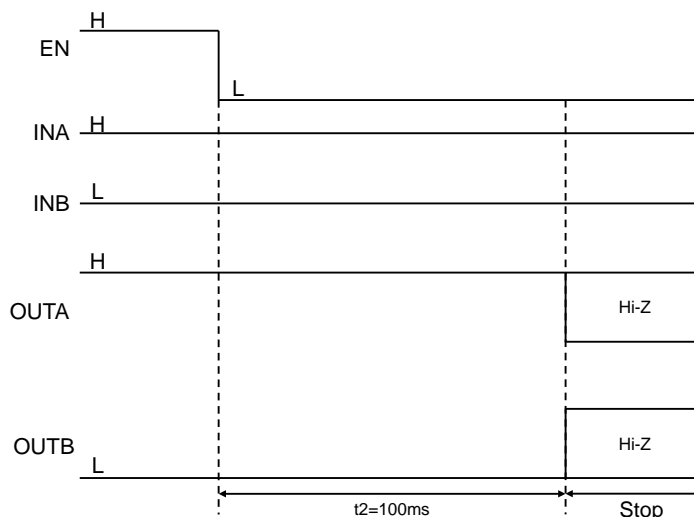


Figure 9. Timing Chart from EN="H" becomes "L" to OUTA= OUTB=Hi-Z

10.5 Protection Circuits

- VM Under Voltage Lockout

The OUTA and the OUTB outputs are set to Hi-Z state when the VM voltage becomes 4.5V (typ) or less to prevent malfunction of the IC. The FLG pin becomes Hi-Z state at the same time.

- Thermal Shutdown

When an abnormal high temperature 175°C (typ) is detected, the OUTA and the OUTB outputs are set to Hi-z state to prevent getting damages by self-heating. The internal 4.5V LDO is stopped and the FLG pin becomes Hi-Z state at the same time. The AP1029ADN restarts when the temperature drops to under 145°C (typ).

- Over Current protection

The AP1029ADN integrates an over current protection circuit that protects the device from damages caused by output short of H-bridge driver, short-to-ground and short-to-supply. When a MOSFET current more than 1.5A lasts for 10us, the OUTA and the OUTB outputs are set to Hi-Z state for 350us. The FLG pin becomes Hi-Z state at the same time. After 350us, the AP1029ADN returns to normal operation automatically.

11. Recommended External Circuits

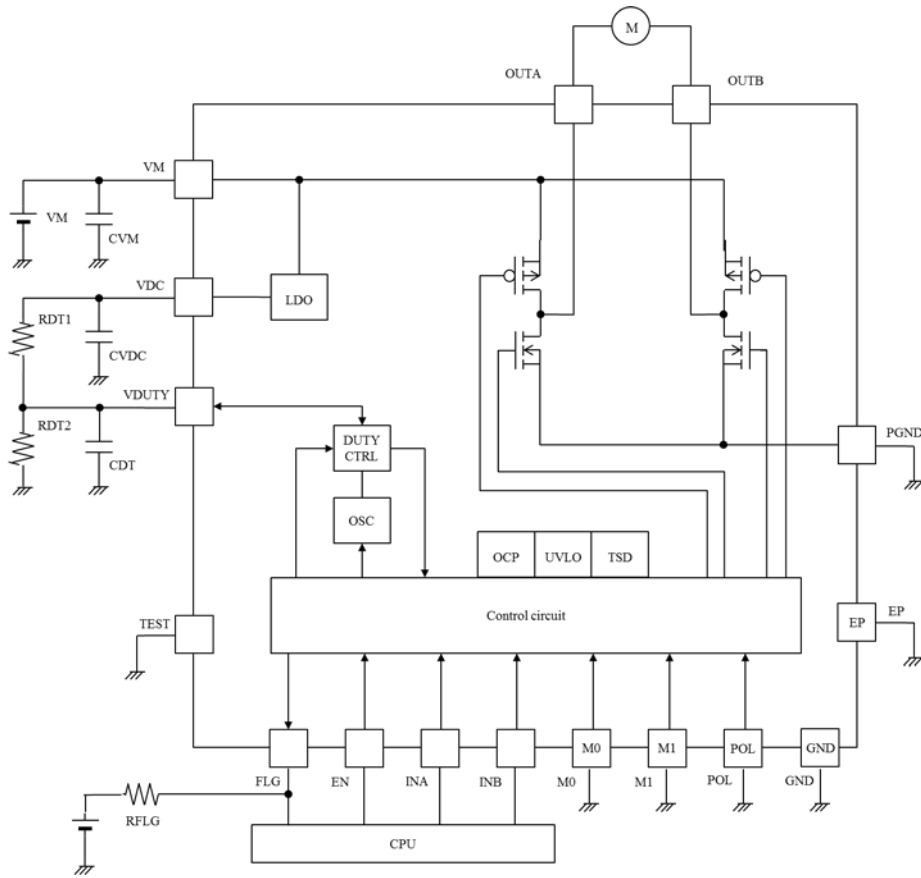


Figure 10. Recommended External Circuit

Table 4. Recommended External Components

Item	min	typ	max	Unit	Note
CVM	-	1.0	-	μF	Ceramic Capacitor
	-	47	-	μF	Electrolytic Capacitor
CVDC	-	1.0	-	μF	Ceramic Capacitor
RDT1	-	0.2	-	MΩ	(Note 11)
RDT2	-	0.1	-	MΩ	(Note 11)
RFLG	-	1.0	-	MΩ	
CDT	-	100	-	nF	

Note 11. RDT1+RDT2 must be 100kΩ or more.

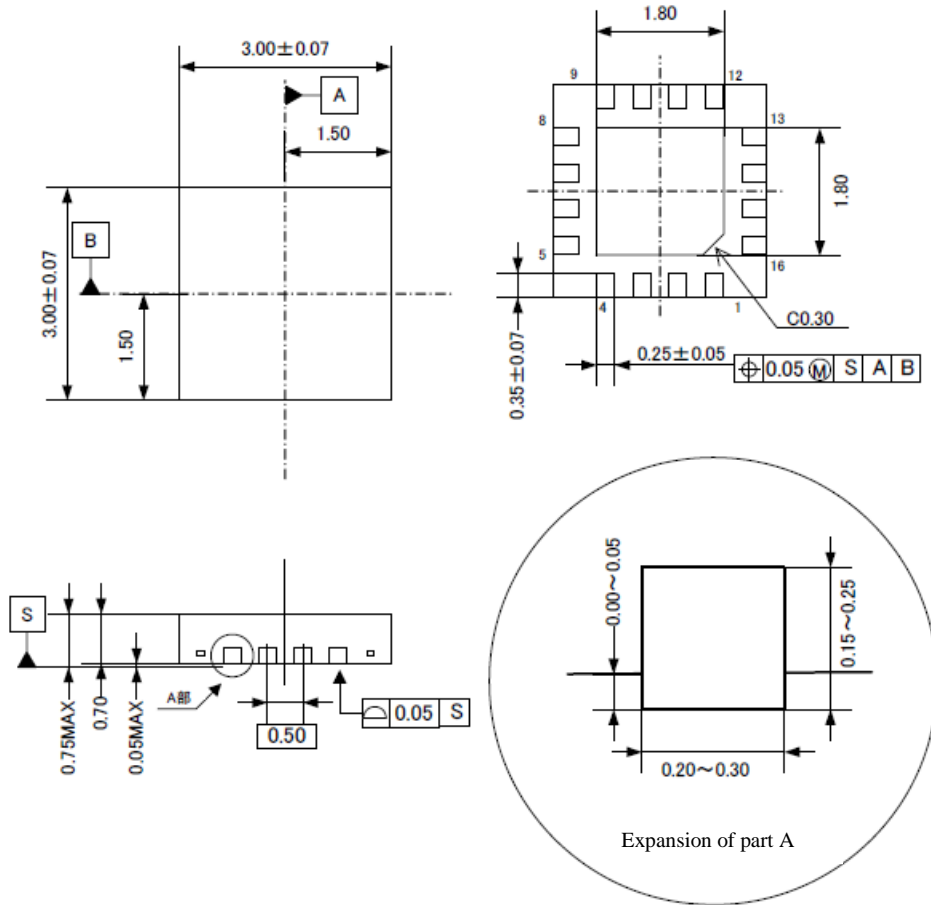
Note 12. Above values are examples. Please choose appropriate external components for your system board.

Note 13. Connection capacitance of CVM and CVC should be determined in consideration of the load current profile, the load capacitance, the line resistance and etc. of the actual system board.

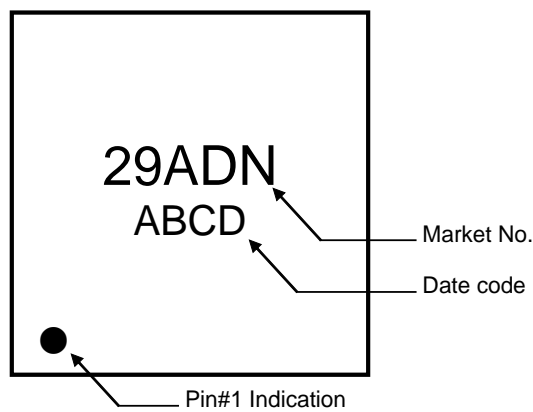
Note 14. Use resistive divider in case external voltage is applied to the VDUTY pin.

12. Package

■ Outline Dimensions



■ Marking



- A : Year code (Last 1 digit)
- B,C : Week code
- D : Management code

13. Revise History

Date (YY/MM/DD)	Revision	Page	Contents
15/09/01	00	-	First Edition

IMPORTANT NOTICE

0. Asahi Kasei Microdevices Corporation (“AKM”) reserves the right to make changes to the information contained in this document without notice. When you consider any use or application of AKM product stipulated in this document (“Product”), please make inquiries the sales office of AKM or authorized distributors as to current status of the Products.
1. All information included in this document are provided only to illustrate the operation and application examples of AKM Products. AKM neither makes warranties or representations with respect to the accuracy or completeness of the information contained in this document nor grants any license to any intellectual property rights or any other rights of AKM or any third party with respect to the information in this document. You are fully responsible for use of such information contained in this document in your product design or applications. **AKM ASSUMES NO LIABILITY FOR ANY LOSSES INCURRED BY YOU OR THIRD PARTIES ARISING FROM THE USE OF SUCH INFORMATION IN YOUR PRODUCT DESIGN OR APPLICATIONS.**
2. The Product is neither intended nor warranted for use in equipment or systems that require extraordinarily high levels of quality and/or reliability and/or a malfunction or failure of which may cause loss of human life, bodily injury, serious property damage or serious public impact, including but not limited to, equipment used in nuclear facilities, equipment used in the aerospace industry, medical equipment, equipment used for automobiles, trains, ships and other transportation, traffic signaling equipment, equipment used to control combustions or explosions, safety devices, elevators and escalators, devices related to electric power, and equipment used in finance-related fields. Do not use Product for the above use unless specifically agreed by AKM in writing.
3. Though AKM works continually to improve the Product’s quality and reliability, you are responsible for complying with safety standards and for providing adequate designs and safeguards for your hardware, software and systems which minimize risk and avoid situations in which a malfunction or failure of the Product could cause loss of human life, bodily injury or damage to property, including data loss or corruption.
4. Do not use or otherwise make available the Product or related technology or any information contained in this document for any military purposes, including without limitation, for the design, development, use, stockpiling or manufacturing of nuclear, chemical, or biological weapons or missile technology products (mass destruction weapons). When exporting the Products or related technology or any information contained in this document, you should comply with the applicable export control laws and regulations and follow the procedures required by such laws and regulations. The Products and related technology may not be used for or incorporated into any products or systems whose manufacture, use, or sale is prohibited under any applicable domestic or foreign laws or regulations.
5. Please contact AKM sales representative for details as to environmental matters such as the RoHS compatibility of the Product. Please use the Product in compliance with all applicable laws and regulations that regulate the inclusion or use of controlled substances, including without limitation, the EU RoHS Directive. AKM assumes no liability for damages or losses occurring as a result of noncompliance with applicable laws and regulations.
6. Resale of the Product with provisions different from the statement and/or technical features set forth in this document shall immediately void any warranty granted by AKM for the Product and shall not create or extend in any manner whatsoever, any liability of AKM.
7. This document may not be reproduced or duplicated, in any form, in whole or in part, without prior written consent of AKM.