

for Wonderful CruisingSafe  Comfortable Cabin**AP1161****300mA LDO Regulator with Over/Under Voltage Detection Function****1. General Description**

The AP1161 is an integrated circuit having bipolar silicon monolithic architecture. It is a low dropout regulator with ON/OFF control and capable of supplying an output current of 300mA constantly. The AP1161 has regulator output voltage monitoring function, enabling to detect overvoltage and undervoltage. Self-diagnose function can detect a fault operation of overvoltage and undervoltage detections. In addition, overcurrent protection and thermal shutdown circuits are integrated.

2. Features

- Low Noise: 180nV/ $\sqrt{\text{Hz}}$ at 10kHz
- Overvoltage/Undervoltage Detection Function
- Self-Diagnose Function for Overvoltage/Undervoltage Detection
- Operating Temperature: -40 ~ 125 °C
- High Accurate Output Voltage: 3.38V \pm 65mV
- Dropout Voltage: 300mV at $I_{\text{out}}=300\text{mA}$
- Great RSRR: 76dB at 1kHz
- Low Power Consumption: 550 μA at $I_{\text{out}}=0\text{mA}$
- ON/OFF Control of Regulator Output (Active High)
- Overcurrent Protection and Thermal Shutdown Circuits
- Small Package: 16-pin HQFN

3. Applications

- Automotive Equipment
- Industrial Equipment

4. Table of Contents

1. General Description	1
2. Features	1
3. Applications	1
4. Table of Contents	2
5. Block Diagram and Functions	3
6. Pin Configurations and Functions	4
6.1 Pin Layout	4
6.2 Pin Function	4
7. Absolute Maximum Ratings	5
8. Recommended Operating Conditions	6
9. Electrical Characteristics	6
10. Functional Descriptions	8
10.1 ON/OFF Control of Regulator Output	8
10.2 Protection Functions	8
10.3 Self-Diagnose Function	9
11. Characteristics Example	10
12. Recommended External Circuits	12
12.1 External Circuit Example	12
12.2 Recommended board layout example	13
13. Package	14
13.1 Outline Dimensions	14
13.2 Marking	14
14. Ordering Guide	15
15. Revision History	15
IMPORTANT NOTICE	16

5. Block Diagram and Functions

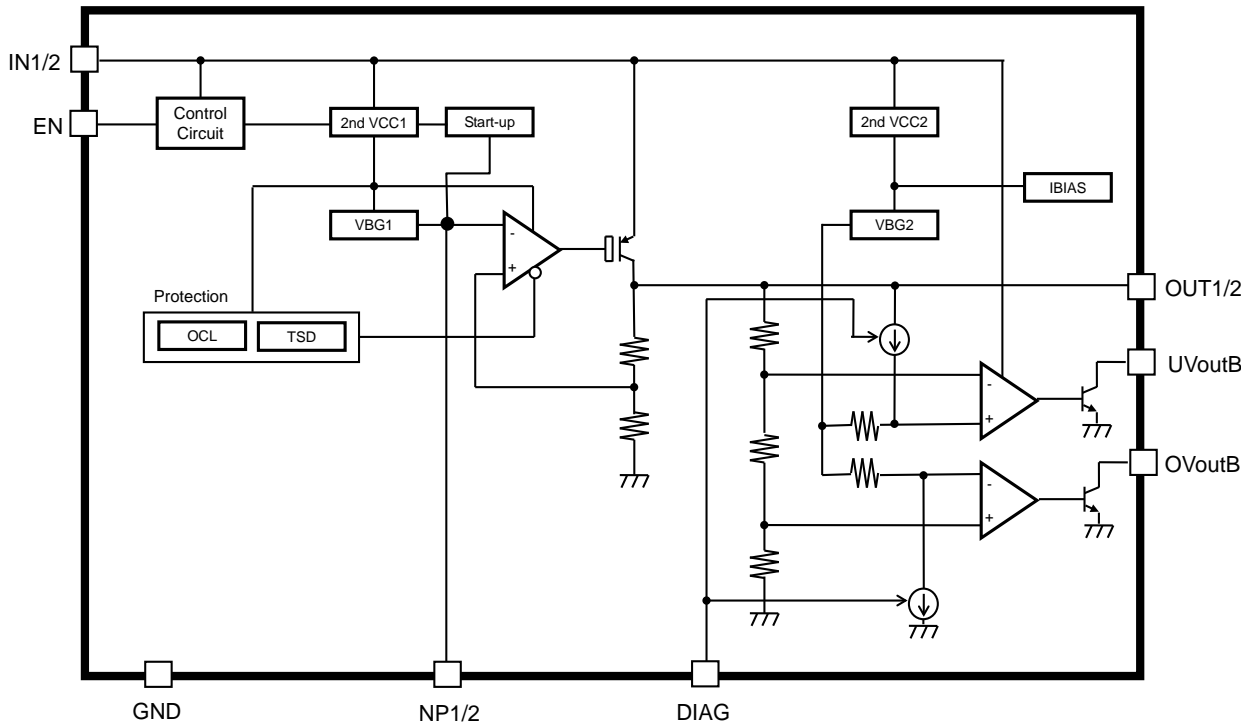
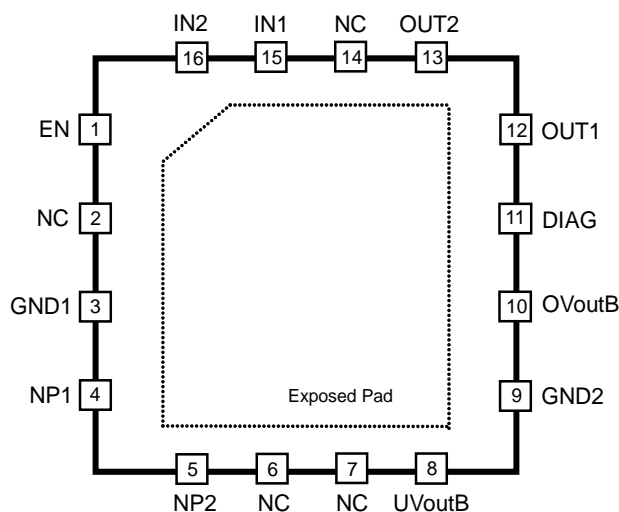


Figure 1. Block Diagram

6. Pin Configurations and Functions

6.1 Pin Layout



6.2 Pin Function

No.	Name	I/O	Description
1	EN	I	ON/OFF Control of Regulator Regulator output monitoring function is not turned OFF by this setting. This pin is internally pulled down by 100kΩ.
2	NC	-	No Connection Pin
3	GND1	-	Ground Pin No.3 pin and No.9 pin are internally connected.
4	NP1	O	Noise Path Pin
5	NP2	O	Connect a capacitor between these pins and the GND.
6	NC	-	No Connection Pin
7	NC	-	No Connection Pin
8	UVoutB	O	Undervoltage Detection Output (Open Collector Output)
9	GND2	-	Ground Pin No.3 pin and No.9 pin are internally connected.
10	OVoutB	O	Overvoltage Detection Output (Open Collector Output)
11	DIAG	I	Self-diagnose Function Control (Active High) This pin is internally pulled down by 100kΩ.
12	OUT1	O	Regulator Output
13	OUT2	O	Connect OUT1/2 on board.
14	NC	-	No Connection Pin
15	IN1	P	Regulator Input
16	IN2	P	Connect IN1/2 on board.
-	Exposed Pad	-	Ground Pin, Heat Dissipation Pad (Note 2)

Note 1. I (Input terminal), O (Output terminal), P (Power terminal)

Note 2. The exposed pad must be connected to the GND1/2.

7. Absolute Maximum Ratings

Parameter	Symbol	Min.	Max.	Unit	Condition
IN1/2 Terminal Voltage	V _{IN}	-0.3	16	V	
OUT1/2 Terminal Voltage	V _{OUT}	-0.3	10	V	
NP Terminal Voltage	V _{NP}	-0.3	6	V	
EN Terminal Voltage	V _{EN}	-0.3	16	V	
OVoutB Terminal Voltage	V _{OVO}	-0.3	16	V	
UVoutB Terminal Voltage	V _{UVO}	-0.3	16	V	
DIAG Terminal Voltage	V _{DIAG}	-0.3	16	V	
Junction Temperature	T _j	-	150	°C	
Storage Temperature	T _{stg}	-55	150	°C	
Power Dissipation	P _D	-	3.125	W	T _a =25°C (Note 3)

Note 3. It should be derated by -25mW if the temperature is higher than 25°C.
 Thermal Resistance θ_{JA} =40°C/W

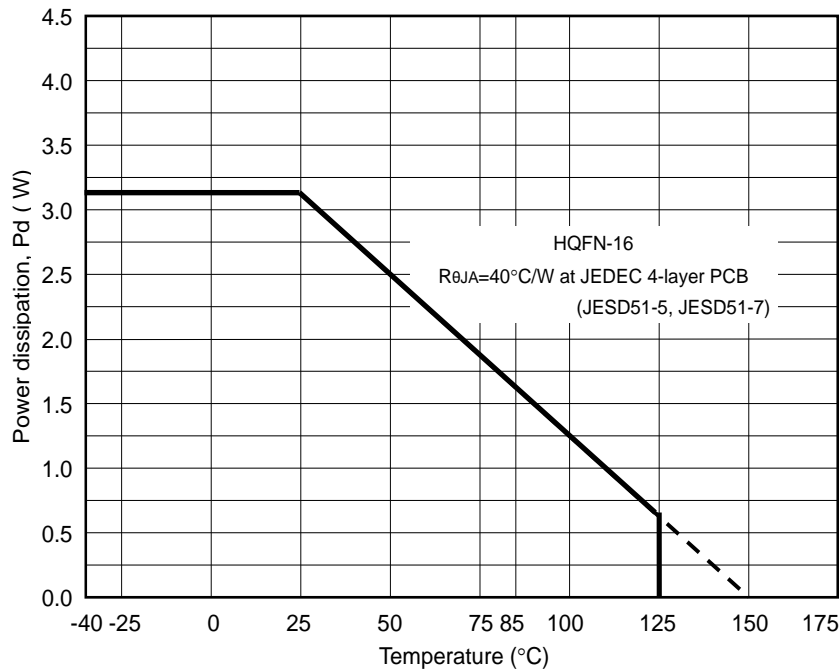


Figure 2. Maximum Power Dissipation

WARNING: Operation at or beyond these limits may result in permanent damage to the device.
 Normal operation is not guaranteed at these extremes.

8. Recommended Operating Conditions

Parameter	Symbol	Min.	Typ.	Max.	Unit	Note
Operational Temperature Range	T _a	-40	-	125	°C	
IN1/2 Voltage Range	V _{INA}	3.8	-	7.0	V	

9. Electrical Characteristics

(3.8V ≤ V_{IN} ≤ 7.0V, V_{EN} = 3.3V, -40°C ≤ T_j ≤ 150°C, unless otherwise specified)

Parameter	Symbol	Condition	Min.	Typ.	Max.	Unit
Regulator						
Output Voltage	V _{OUTA}	1mA ≤ I _{OUT} ≤ 1000mA	3.275	3.380	3.445	V
	V _{OUTB}	1mA ≤ I _{OUT} ≤ 1000mA 2.5V ≤ V _{IN} < 3.8V	V _{IN} -V _{DRO} P	-	3.6	
Dropout Voltage	V _{DROP}	V _{IN} = 2.5V, I _{OUT} = 300mA T _a ≤ 25°C	-	-	0.30	V
		V _{IN} = 2.5V, I _{OUT} = 300mA 25°C < T _a	-	-	0.35	
Over Current Detection Level (Note 4)	I _{OCPTrip}	V _{OUT} ≤ 3V 2.5V ≤ V _{IN} ≤ 7.0V	360	550	900	mA
Reverse Current	I _{REV}	V _{IN} =0V, V _{OUT} =5V	-	-	1.0	mA
Power Dissipation						
IN Terminal Power Dissipation 1	I _Q	I _{OUT} =0mA, EN= "H"				mA
		T _a ≤ 25°C	0.25	1.0	1.5	
		25°C < T _a			10	
IN Terminal Power Dissipation 2	I _S	I _{OUT} =0mA, EN= "L"	75	200	500	μA
EN Terminal						
EN Terminal Voltage "H" Detection Level	V _{ENH}		2.1	-	-	V
EN Terminal Voltage "L" Detection Level	V _{ENL}		-	-	1.1	V
EN Pin Pull-down Resistance	R _{EN}		50	100	200	kΩ
NP Terminal						
NP Terminal Voltage	V _{NP}		1.0	1.25	1.5	V
Output Voltage Monitoring Function : 2.5V ≤ V_{IN} ≤ 7V						
Output Level of Undervoltage	V _{UV}	V _{IN} =1.0V	0	-	0.66	V
Undervoltage Detection Threshold	V _{THUV}	DIAG pin = "L"	3.135	3.190	3.245	V
Output Voltage – Undervoltage Detecting Level	dV1	DIAG pin = "L"	80	190	310	mV
Overvoltage Detection Threshold	V _{THOV}	DIAG pin = "L"	3.465	3.530	3.595	V
Overvoltage Detecting Level – Output Voltage	dV2	DIAG pin = "L"	70	150	280	mV
Delay Time of Undervoltage Detection	t _{UVON}	"L" Detection Level: 0.66V (Note 5)	-	0.3	1	μs
Delay Time of Releasing Undervoltage Detection	t _{UVOFF}	"H" Detection Level: 2.64V (Note 5)	-	0.3	2	μs
Delay Time of Overvoltage Detection	t _{OVON}	"L" Detection Level: 0.66V (Note 5)	-	0.3	2	μs

Parameter	Symbol	Condition	Min.	Typ.	Max.	Unit
Delay Time of Releasing Overvoltage Detection	$t_{OV\text{OFF}}$	“H” Detection Level: 2.64V (Note 5)	-	0.3	2	μs
UVoutB Output Low Level	V_{UVOL}	IUVOUTB=+1mA	-	0.1	0.4	V
OVoutB Output Low Level	V_{OVOL}	IOVOUTB=+1mA	-	0.1	0.4	V
UVoutB Output Leak Current	I_{UVOL}	UVOUTB =5V	-	-	1	μA
OVoutB Output Leak Current	I_{OVOL}	OVOUTB =5V	-	-	1	μA
Thermal Shutdown Function						
Thermal Shutdown Temperature (Note 6)	T_{SD}	Temperature Rising	151	165	180	$^{\circ}\text{C}$
Temperature Hysteresis of Thermal Shutdown (Note 6)	T_{SDH}	Temperature Falling	5	15	20	$^{\circ}\text{C}$
DIAG Terminal						
DIAG Terminal Voltage “H” Detection Level	V_{DGH}		2.1	-	-	V
DIAG Terminal Voltage “L” Detection Level	V_{DGL}		-	-	1.1	V
DIAG Terminal Pull-down Resistance	R_{DIAG}		50	100	200	k Ω
Note: IOUT=1mA~300mA, CNP=1000pF						
Output Noise (Note 6)	V_{NOISE}	100Hz	-	-	1400	nV/ $\sqrt{\text{Hz}}$
		500Hz	-	-	1000	
		1kHz	-	-	900	
		10kHz	-	-	180	
		100kHz	-	-	60	
		1MHz	-	-	50	
		10MHz	-	-	10	
		20MHz	-	-	3	
Ripple Rejection: $V_{IN}=4.2\text{V}$, $I_{OUT}=1\text{mA}$						
Ripple Rejection (Note 7)	PSRR	100Hz	-	79	-	dB
		1kHz	-	76	-	dB
		10kHz	-	57	-	dB
		100kHz	-	62	-	dB
		1MHz	-	58	-	dB
		2MHz	-	43	-	dB
		5MHz	-	38	-	dB
Power-up						
Power-up Time	t_{STRT}	Time until UVoutB pin starts outputting after EN pin = “L” CNP=2000pF, COUT=10 μF	-	-	500	μs

Note 4. The maximum current is limited by power dissipation.

Note 5. Pulled up by 100k Ω , 3.3V.

Note 6. Guaranteed by design. Not all of products are tested on shipping.

Note 7. Design reference values

10. Functional Descriptions

10.1 ON/OFF Control of Regulator Output

Regulator output is enabled by setting the voltage level of the EN pin higher than V_{ENH} . Regulator output is disabled by setting the EN pin voltage lower than V_{ENL} .

10.2 Protection Functions

1) Over Current Limit Protection

The AP1161 controls output transistor to prevent that the OUT pin output current exceeds a defined value ($I_{OCPTrip1\sim3}$). V_{OUT} level returns to normal value when the output current becomes a rated value.

2) Thermal Shutdown

The output transistor is turned OFF when T_j exceeds a defined value (T_{SD}). It returns to normal operation when T_j becomes less than a defined value ($T_{SD} - T_{SDH}$).

3) Undervoltage Detection

The open collector output of the UVoutB pin is turned ON when V_{OUT} becomes less than a defined value (V_{THUV}). It becomes high impedance when V_{OUT} becomes more than the defined value (V_{THUV}).

4) Overvoltage Detection

The open collector output of the OVoutB pin is turned ON when V_{OUT} exceeds a defined value (V_{THOV}). It becomes high impedance when V_{OUT} becomes less than the defined value.

- Example 1: The EN pin voltage is supplied externally and the UVoutB and OVoutB pins are pulled up by the IN pins.

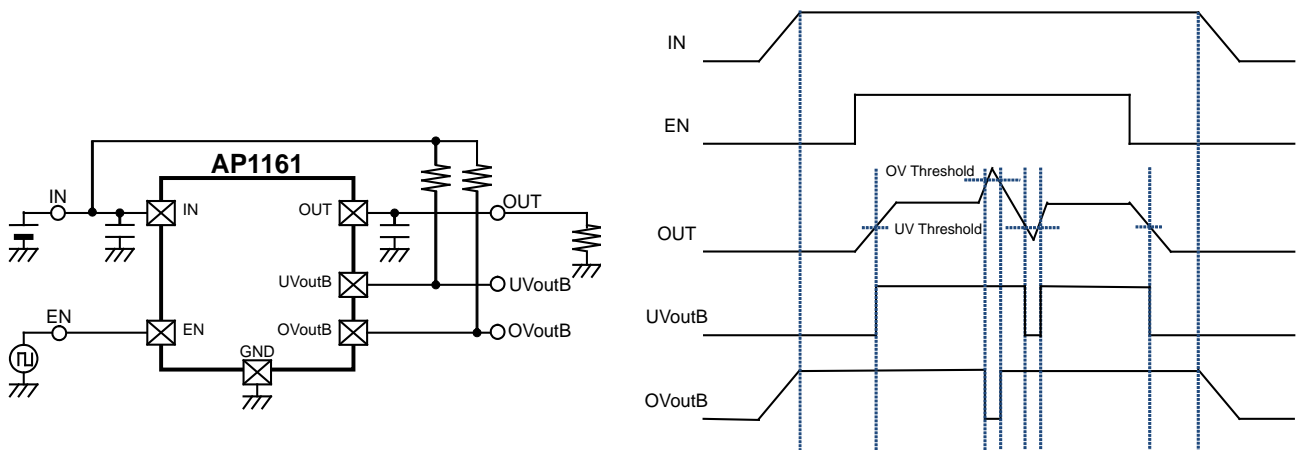


Figure 3. Example 1

- Example 2: The EN pin voltage is supplied by the IN pin, and the UVoutB and OVoutB pins are pulled up by the OUT pins.

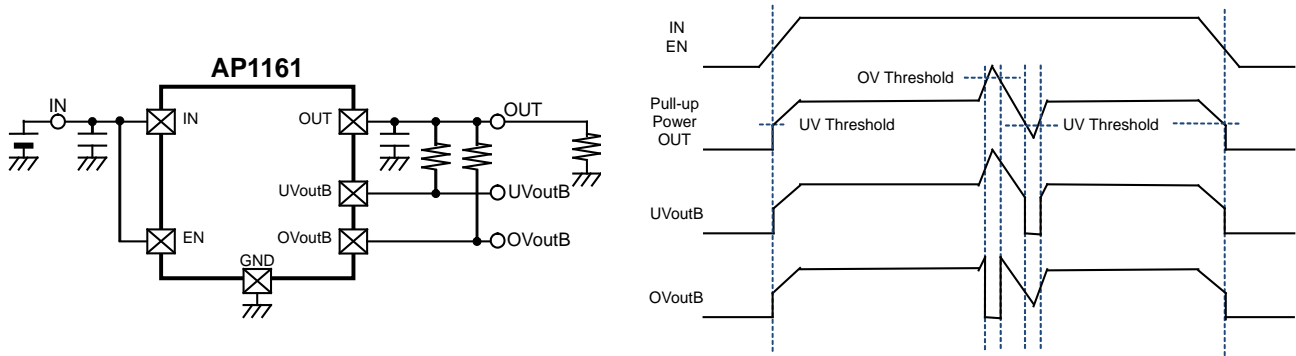
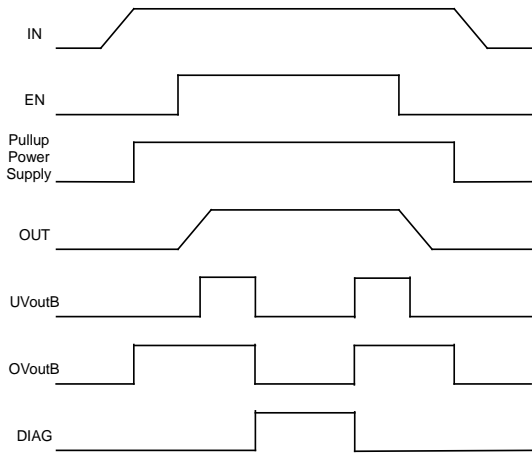


Figure 4. Example 2

10.3 Self-Diagnose Function

Self-diagnose function for Undervoltage and Overvoltage detections is enabled by setting the DIAG pin to “H”. Each open collector output of the UVoutB and OVoutB pins is tuned ON if Undervoltage and Overvoltage detections are operated normally. The UVoutB and the OVoutB pin outputs will be high impedance if these functions are not operated correctly.

- Undervoltage/Overvoltage Detection Function Normal Operation



- Undervoltage/Overvoltage Detection Function Error

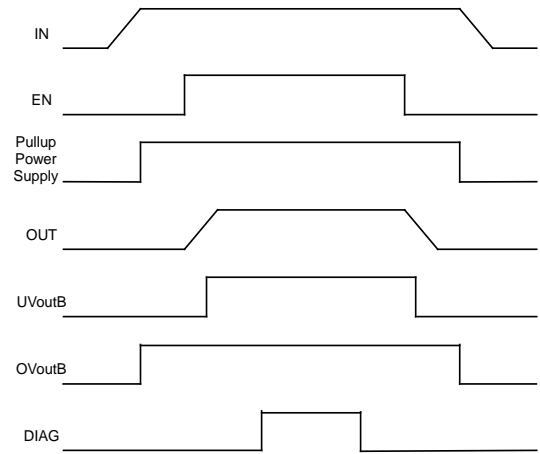


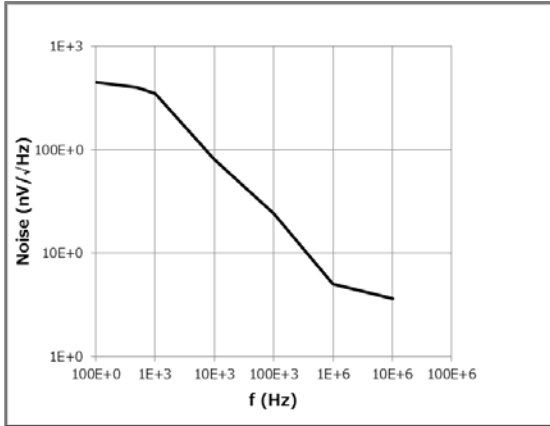
Figure 5. Self-Diagnose Timing Chart

11. Characteristics Example

It is measurement result by our recommended constant.

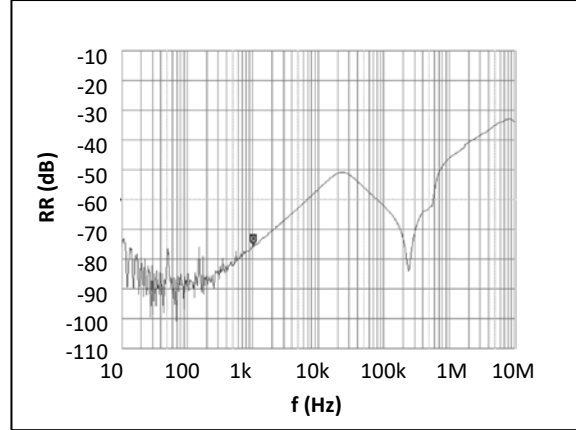
Output Noise

VIN=3.8V, IOU=300mA, Ta=25°C



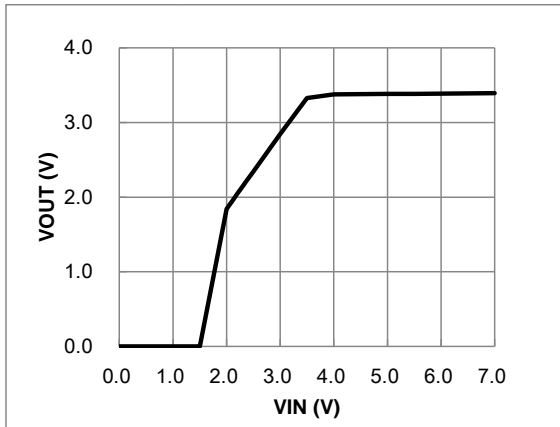
Ripple Rejection Ratio

VIN=4.2V, IOU=1mA, Ta=25°C



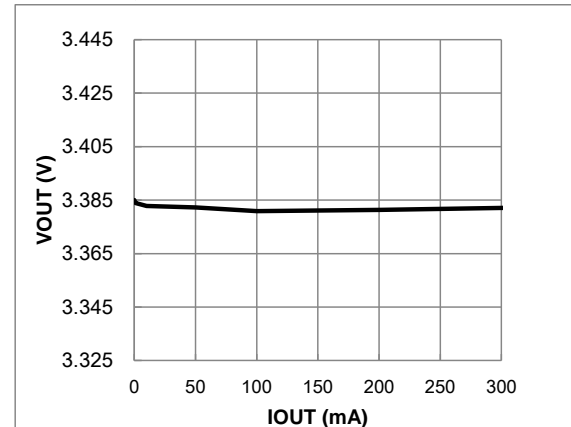
Input / Output Voltage Characteristics

IOU=300mA, Ta=25°C



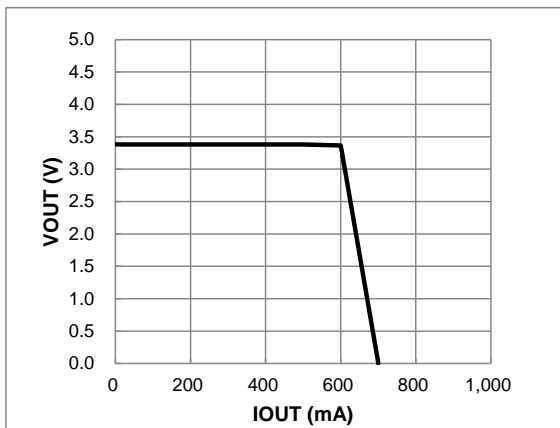
Load Regulation

VIN=4.2V, Ta=25°C



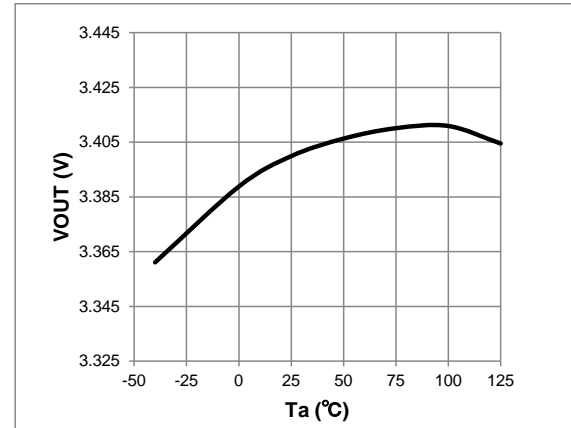
Overcurrent Protect Characteristics

VIN=4.2V, Ta=25°C



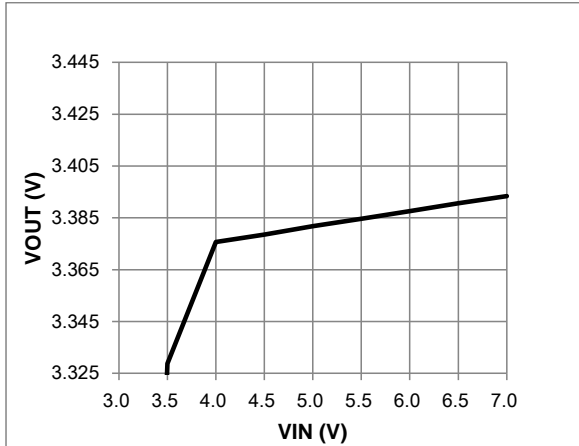
Temperature Characteristic of Output Voltage

VIN=3.8V, IOU=0mA,



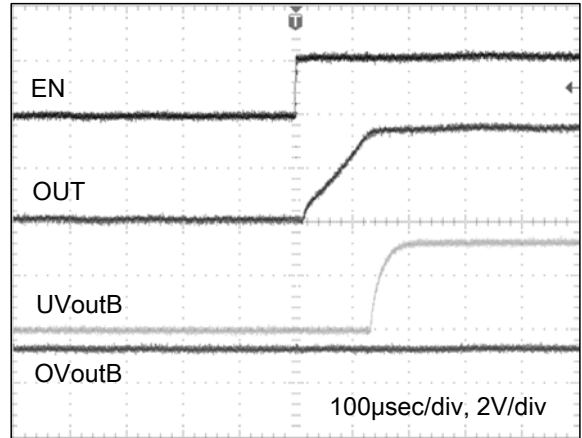
■ Line Regulation

IO_{UT}=300mA, Ta=25°C



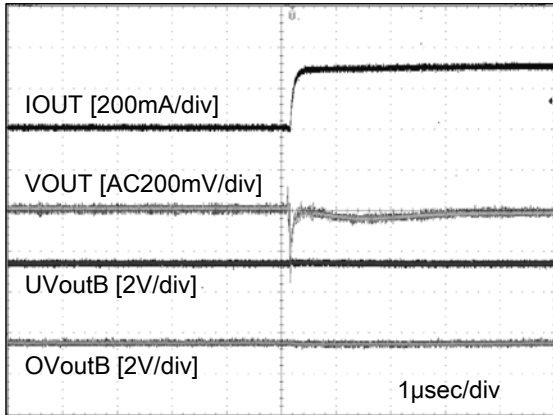
■ Startup Time

VIN=4.2V, IO_{UT}=0mA, Ta=25°C

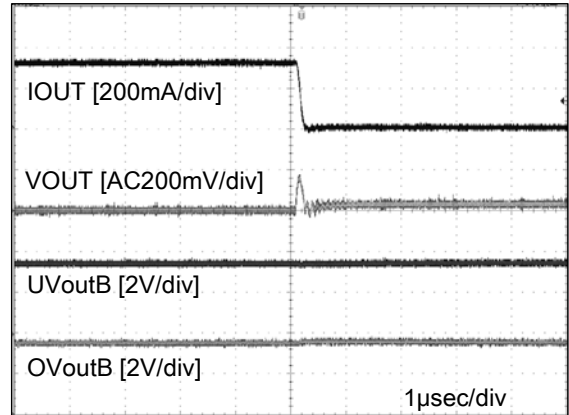


■ Load Transient

VIN=3.8V, Ta=25°C, IO_{UT}: 0mA→300mA



IO_{UT}: 300mA→0mA



12. Recommended External Circuits

12.1. External Circuit Example

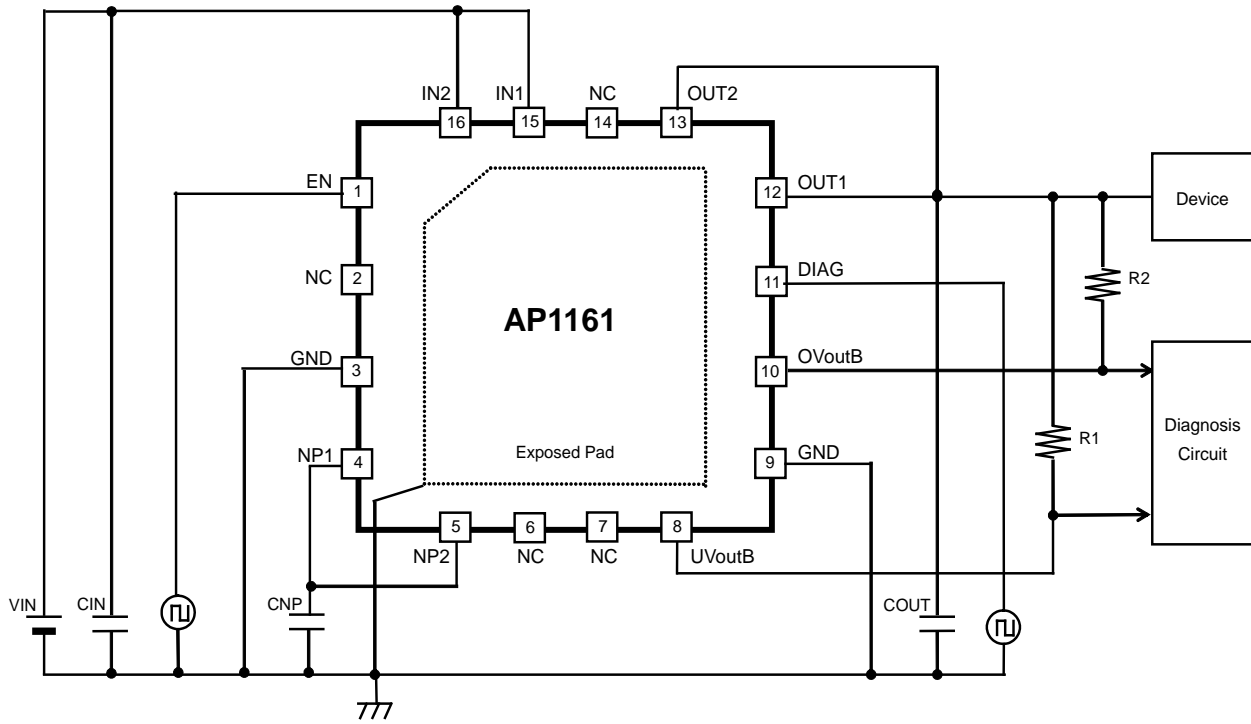


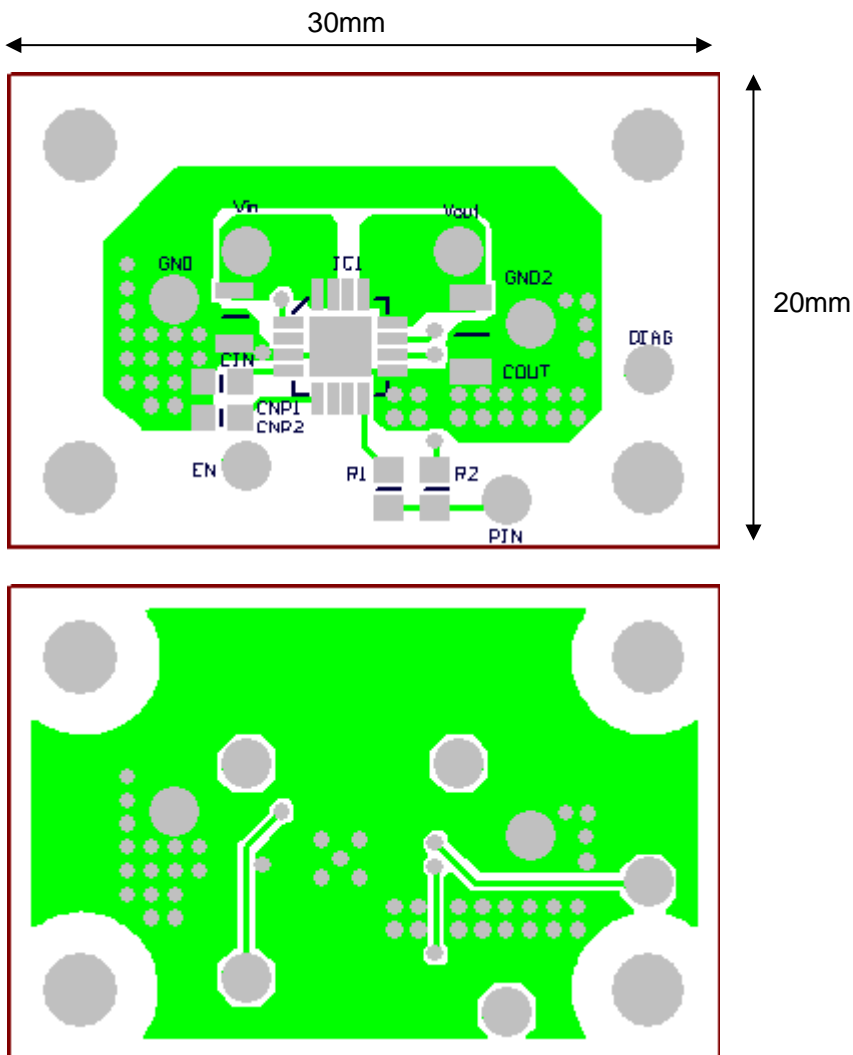
Figure 6. External Circuit Example

Table 1. Recommended External Parts

Parts	Min.	Typ.	UNIT	Note
CIN	4.7	10	μF	Ceramic Capacitor
COUT	4.7	10	μF	Ceramic Capacitor
CNP	1000	2000	pF	Ceramic Capacitor
R1	10	100	kΩ	
R2	10	100	kΩ	

Note 8. Above values are recommended examples (effective capacitance value). Before using the AP1161, please check and choose optimal values on your system board.

12.2 Recommended board layout example

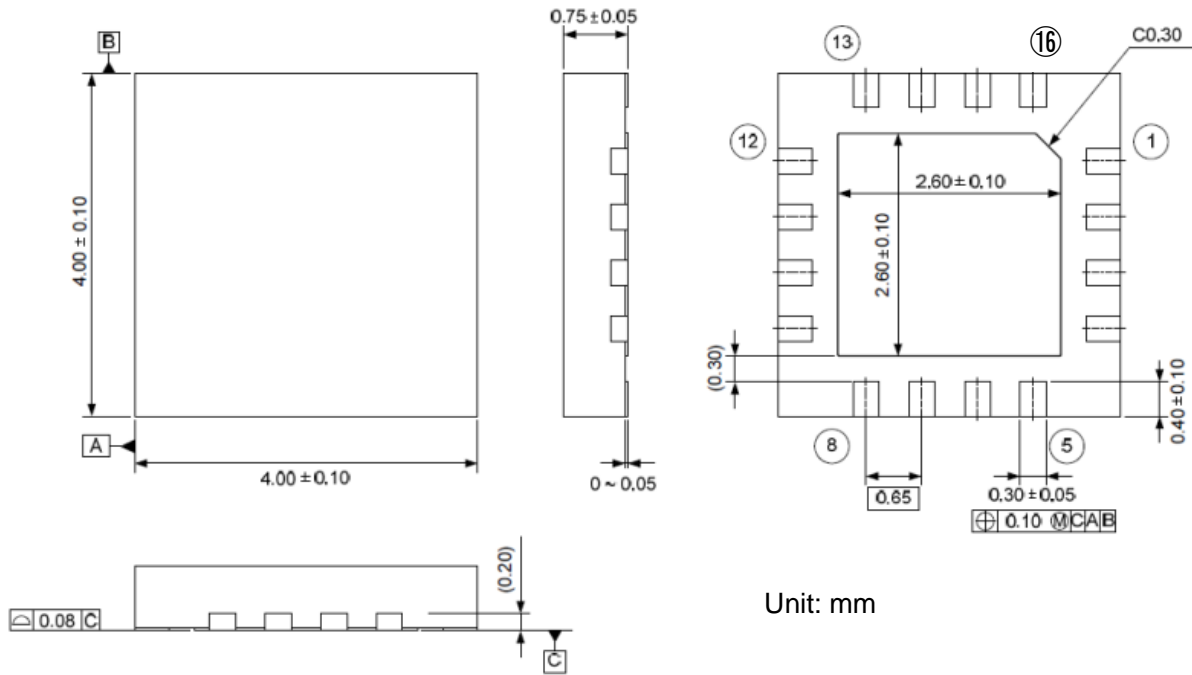


1. Place the input capacitor, CIN, as close as possible to the VIN and GND pins.
2. Place the output capacitor, COUT, as close as possible to the OUT and GND pins.
3. GND area should be consolidated in wiring on the PCB.
4. The exposed pad must be connected to PCB ground since it shares ground with the IC. Vias (heat dissipation holes) are effective for dissipating heat to each layer of the PCB.

13. Package

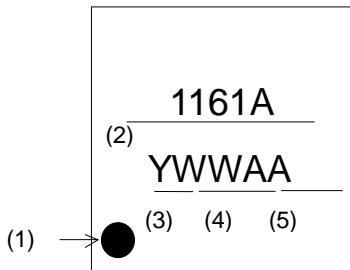
13.1 Outline Dimensions

- 16-pin HQFN (Lead Terminals are plated)



Unit: mm

13.2 Marking



- (1) 1pin Indication
- (2) Product Number
- (3) Manufacturing Date Year (last 1 digits)
- (4) Manufacturing Date Week
- (5) Administration Number

14. Ordering Guide

AP1161ABN -40 ~125°C 16-pin HQFN

15. Revision History

Date (Y/M/D)	Revision	Reason	Page	Contents
18/05/30	0.0	First Edition		

IMPORTANT NOTICE

0. Asahi Kasei Microdevices Corporation (“AKM”) reserves the right to make changes to the information contained in this document without notice. When you consider any use or application of AKM product stipulated in this document (“Product”), please make inquiries the sales office of AKM or authorized distributors as to current status of the Products.
1. All information included in this document are provided only to illustrate the operation and application examples of AKM Products. AKM neither makes warranties or representations with respect to the accuracy or completeness of the information contained in this document nor grants any license to any intellectual property rights or any other rights of AKM or any third party with respect to the information in this document. You are fully responsible for use of such information contained in this document in your product design or applications. AKM ASSUMES NO LIABILITY FOR ANY LOSSES INCURRED BY YOU OR THIRD PARTIES ARISING FROM THE USE OF SUCH INFORMATION IN YOUR PRODUCT DESIGN OR APPLICATIONS.
2. The Product is neither intended nor warranted for use in equipment or systems that require extraordinarily high levels of quality and/or reliability and/or a malfunction or failure of which may cause loss of human life, bodily injury, serious property damage or serious public impact, including but not limited to, equipment used in nuclear facilities, equipment used in the aerospace industry, medical equipment, equipment used for automobiles, trains, ships and other transportation, traffic signaling equipment, equipment used to control combustions or explosions, safety devices, elevators and escalators, devices related to electric power, and equipment used in finance-related fields. Do not use Product for the above use unless specifically agreed by AKM in writing.
3. Though AKM works continually to improve the Product’s quality and reliability, you are responsible for complying with safety standards and for providing adequate designs and safeguards for your hardware, software and systems which minimize risk and avoid situations in which a malfunction or failure of the Product could cause loss of human life, bodily injury or damage to property, including data loss or corruption.
4. Do not use or otherwise make available the Product or related technology or any information contained in this document for any military purposes, including without limitation, for the design, development, use, stockpiling or manufacturing of nuclear, chemical, or biological weapons or missile technology products (mass destruction weapons). When exporting the Products or related technology or any information contained in this document, you should comply with the applicable export control laws and regulations and follow the procedures required by such laws and regulations. The Products and related technology may not be used for or incorporated into any products or systems whose manufacture, use, or sale is prohibited under any applicable domestic or foreign laws or regulations.
5. Please contact AKM sales representative for details as to environmental matters such as the RoHS compatibility of the Product. Please use the Product in compliance with all applicable laws and regulations that regulate the inclusion or use of controlled substances, including without limitation, the EU RoHS Directive. AKM assumes no liability for damages or losses occurring as a result of noncompliance with applicable laws and regulations.
6. Resale of the Product with provisions different from the statement and/or technical features set forth in this document shall immediately void any warranty granted by AKM for the Product and shall not create or extend in any manner whatsoever, any liability of AKM.
7. This document may not be reproduced or duplicated, in any form, in whole or in part, without prior written consent of AKM.