

	<h1 style="margin: 0;">AKD4113-B</h1> <h2 style="margin: 0;">AK4113-B Evaluation Board Rev.2</h2>
---	---

**GENERAL DESCRIPTION**

AKD4113-B is the evaluation board for AK4113, 192kHz digital audio receiver. This board has BNC connector to interface with other digital audio equipment.

■ **Ordering guide**

AKD4113-B --- Evaluation board for AK4113  
(Control software is included in this package.)

**FUNCTION**

□ **Digital interface**

- S/PDIF :
  - 1 channel input (BNC)
  - 1 channel output (BNC)
- Serial audio data I/F :
  - 1 output (for DIR data output. 10-pin port)
- Serial control data I/F
  - 1 input/output port (10-pin port)

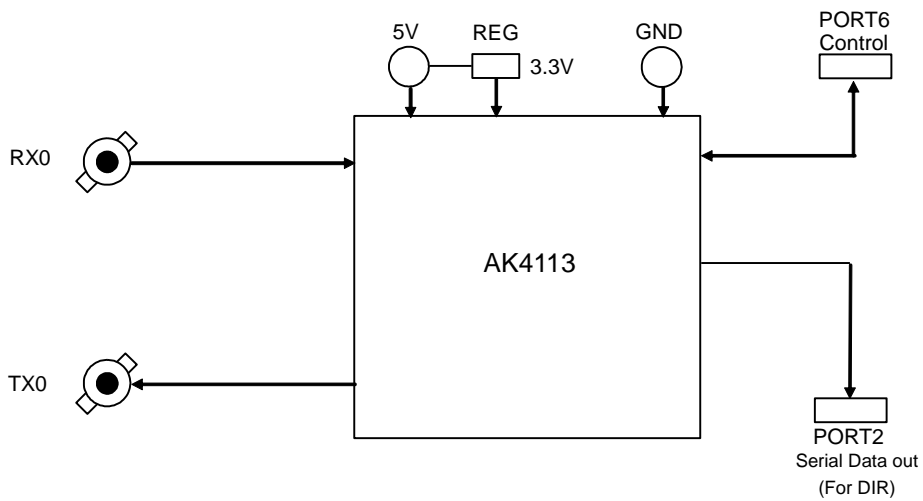


Figure 1. AKD4113-B Block Diagram

\*Circuit diagram and PCB layout are attached at the end of this manual.

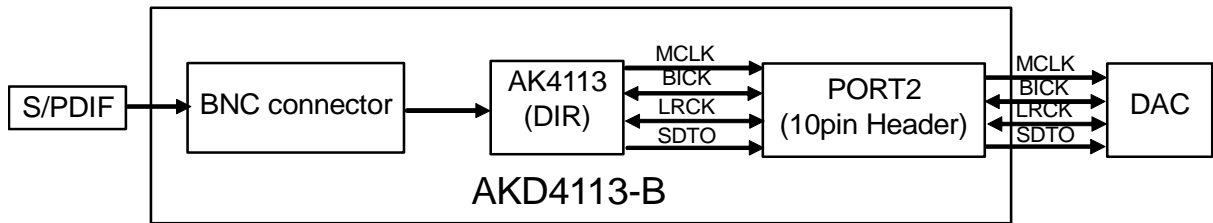
**Evaluation Board Manual**

■ **Operating sequence**

- (1) **Set up the power supply lines.**  
 [+ 5V]        (Red)    = 5V  
 [GND]        (Black) = 0V
- (2) **Set up the evaluation mode and jumper pins.** (Refer to the following item.)
- (3) **Connect cables.** (Refer to the following item.)
- (4) **Power on.**  
 The AK4113 should be reset once bringing PDN(SW2) “L” upon power-up.

■ **Evaluation modes**

- (1) Evaluation for DIR  
 S/PDIF in (BNC) – AK4113 – Serial Data out (10pin port)



The DIR generates MCLK, BICK and LRCK SDATA from the received data through BNC connector. The AKD4113-B can be connected with the AKM’s DAC evaluation board via 10-line cable.

a. Set-up of Bi-phase Input

RX1 and RX2-6 should not select BNC connector at the same time.

a-1. RX1

Connector	JP2(RX1)
BNC (J2)	BNC

< Default >

Table 1. Set-up of RX1

a-2. RX2, 3, 4, 5 and 6 can be inputted from a BNC (J2) connector only.

Only RX1 can be used in parallel mode.

a-2-1. Set-up of the jumper on the sub board.

Mode	JP19	JP21	JP22	JP23	JP24	JP25	JP26
Serial mode	RX2	RX3	RX4	RX6	RX4	RX5	RX6
Parallel mode	DIF0	DIF1	DIF2	IPS	IPS	DIF0	DIF1

Table 2. Set-up of the Jumper on the sub board

a-2-2. Set-up of the jumper on the main board.

Input	RX2	RX3	RX4	RX5	RX6
JP	JP5	JP6	JP7	JP8	JP9
	Short	Short	RX4	RX5	RX6

The jumper, which selects the Rx channel, should be Short.

Table 3. Set-up of RX2, 3, 4, 5 and 6

a-3. Set-up of AK4113 input path

It sets up IPS2-0 bit in serial mode. SW 1-1 (IPS pin) is fixed to “L”(RX1) in parallel mode.

IPS2 bit	IPS1 bit	IPS0 bit	INPUT Data
0	0	0	RX1
0	0	1	RX2
0	1	0	RX3
0	1	1	RX4
1	0	0	RX5
1	0	1	RX6
1	1	0	No use
1	1	1	No use

Default

Table 4. Recovery Data Select (Serial)

b. Set-up of clock input and output

The signal level outputted/inputted from PORT2 is 3.3V.

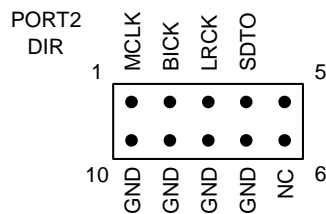


Figure 2. PORT2 pin layout

b-1. MCKO1/MCKO2

The output of MCKO1 pin or MCKO2 pin can be selected by JP12. The output frequency of MCKO1/MCKO2 is selected by OCKS 1-0.

Output signal	JP12
MCKO1	MCKO1
MCKO2	MCKO2

< Default >

Table 5. MCKO1/MCKO2 set-up

OCKS1 pin (SW3-2)	OCKS0 pin (SW3-3)	(X'tal)	MCKO1	MCKO2	fs (max)
OCKS1 bit	OCKS0 bit				
0	0	256fs	256fs	256fs	96 kHz
0	1	256fs	256fs	128fs	96 kHz
1	0	512fs	512fs	256fs	48 kHz
1	1	128fs	128fs	64fs	192 kHz

< Default >

Table 6. Master Clock Frequency Select

b-2. Set-up of BICK and LRCK input and output

Please select SW 2-7 (DIR-I/O) according to the setup of audio format of AK4113 (Refer to Table 7).

Output signal	SW3-7 (DIR-I/O)
Slave mode	0
Master mode	1

< Default >

Table 7. DIR-I/O set-up

c. Set-up of Audio data format

It sets up by SW 1-2, SW 1-3 and SW1-4 in parallel mode. Please set up DIF2-0 bit in serial mode.

Mode	DIF2 pin (SW1-4)	DIF1 pin (SW1-3)	DIF0 pin (SW1-2)	DAUX	SDTO	LRCK		BICK	
	DIF2 bit	DIF1 bit	DIF0 bit				I/O		I/O
0	0	0	0	24bit, Left justified	16bit, Right justified	H/L	O	64fs	O
1	0	0	1	24bit, Left justified	18bit, Right justified	H/L	O	64fs	O
2	0	1	0	24bit, Left justified	20bit, Right justified	H/L	O	64fs	O
3	0	1	1	24bit, Left justified	24bit, Right justified	H/L	O	64fs	O
4	1	0	0	24bit, Left justified	24bit, Left justified	H/L	O	64fs	O
5	1	0	1	24bit, I <sup>2</sup> S	24bit, I <sup>2</sup> S	L/H	O	64fs	O
6	1	1	0	24bit, Left justified	24bit, Left justified	H/L	I	64-128fs	I
7	1	1	1	24bit, I <sup>2</sup> S	24bit, I <sup>2</sup> S	L/H	I	64-128fs	I

< Default >

Table 8. Audio data format

## d. Set-up of CM1 and CM0

The operation mode of PLL is selected by CM1 and CM0. In parallel mode, it can be selected by SW2-1 and JP18. In serial mode, it can be selected by CM1-0 bits.

CM1 pin (SW3-1)	CM0 pin (JP18)	(UNLOCK)	PLL	X'tal	Clock source	SDTO source	
CM1 bit	CM0 bit						
0	0 (CM0)	-	ON	ON (Note)	PLL (RX)	RX	< Default >
0	1 (CDTO/CM0=H)	-	OFF	ON	X'tal	DAUX	
1	0 (CM0)	0	ON	ON	PLL (RX)	RX	
		1	ON	ON	X'tal	DAUX	
1	1 (CDTO/CM0=H)	-	ON	ON	X'tal	DAUX	

ON: Oscillation (Power-up), OFF: STOP (Power-Down)

Note: When the X'tal is not used as clock comparison for fs detection (XTL0, 1= "1,1"), the X'tal is OFF.

Table 9. Clock Operation Mode Select

- (2) Evaluation for DIT
  - S/PDIF in (BNC) – AK4113 – S/PDIF out (BNC)

- a. Set-up of a Bi-phase output signal

As for TX, only the loop back mode of RX corresponds. In serial mode, it can be selected by OPS2-0 bits. This mode is not supported in parallel mode.

Connector	JP13 (TX)	< Default >
BNC (J4)	BNC	

Table 10. Set-up of TX

■ Serial control

The AK4113 can be controlled via the printer port (parallel port) of IBM-AT compatible PC. Connect PORT6 (uP-I/F) with PC by 10-line flat cable packed with the AKD4113-B. Take care of the direction of connector. There is a mark at pin#1. The pin layout of PORT6 is as Figure 3.

Mode	SW1-6	JP18	JP20
4 wire Serial	L	CDTO/CM0="H"	IIC
IIC	H	SDA and CM0="L"(Note)	IIC

Note: In IIC mode, the chip address is fixed to "01".

Table 11. Set-up of parallel mode and serial mode

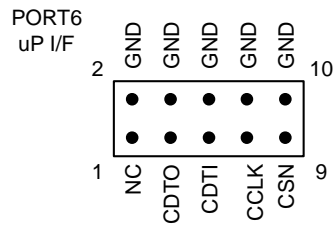


Figure 3. PORT6 pin layout

This evaluation board encloses control software. A software operation procedure is included in an evaluation board manual.

### ■ Toggle switch set-up

SW2	PDN	Reset switch for AK4113. Set to “H” during normal operation. Bring to “L” once after the power is supplied.
-----	-----	---

### ■ LED indication

LE1	INT0	Bright when INT0 pin goes to “H”.
LE2	INT1	Bright when INT1 pin goes to “H”.

### ■ DIP switch (SW1) set-up: -off- means “L”

No.	Switch Name	Function	Default
1	IPS0	Set-up of IPS0 pin. (always “L”)	OFF
2	DIF0	Set-up of DIF0 pin. (in parallel mode)	OFF
3	DIF1	Set-up of DIF1 pin. (in parallel mode)	OFF
4	DIF2	Set-up of DIF2 pin. (in parallel mode)	OFF
5	IPS1/IIC	Set-up of IIC pin. (in serial mode) “L”: 4 wire Serial, “H”: IIC	OFF
6	P/SN	Set-up of P/SN pin. “L”: Serial mode, “H”: parallel mode	OFF
7	TEST	Don’t care	OFF
8	ACKS	Don’t care	OFF

### ■ DIP switch (SW3) set-up: -off- means “L”

No.	Switch Name	Function	Default
1	CM1	Set-up of CM1 pin. (in parallel mode)	OFF
2	OCKS1	Set-up of OCKS1 pin. (in parallel mode)	OFF
3	OCKS0	Set-up of OCKS0 pin. (in parallel mode)	OFF
4	PSEL	Don’t care	OFF
5	XTL0	Don’t care	OFF
6	XTL1	Don’t care	OFF
7	DIR-I/O	Set-up of the transmission direction of 74AC245 “L”: When inputting from PORT2, “H”: When outputting from PORT2	ON
8	DIT-I/O	Don’t care	OFF

■ Jumper set up.

No.	Jumper Name	Function
1	D3V/VD	Set-up of Power supply source for 74AC245. D3V : D3V (default) VD : VD
2	RX1	Set-up of RX1 input circuit. OPT : Not to Use. BNC : BNC < Default >
5,6	RX2-3	Set-up of RX2-3 input circuit.
7,8,9,10	RX4-7	RX4-7 set-up depending serial/parallel mode RX4-7 : Serial mode < Default > DIF2-0,IPS0 : Parallel mode
11,12	DIR MCLK , DIT MCLK	MCKO set-up for PORT5(DIT) and PORT2(DIR) MCKO1 : MCKO1 of AK4113 < Default > MCKO2 : MCKO2 of AK4113
13	TX0	Set-up of TX0 output circuit. OPT : Not to use. BNC : BNC < Default >
18	SDA/CDTO	Set-up of SDA/CDTO pin. 4 wire Serial : CDTO/CM0="H" < Default > IIC : SDA and CM0="L"
19	RX2/DIF0	Set-up depending serial/parallel mode RX2: Serial mode < Default > DIF0: Parallel mode
20	IIC/FS96	Set-up depending serial/parallel mode IIC: Serial mode < Default > FS96: Parallel mode
21	RX3/DIF1	Set-up depending serial/parallel mode RX3: Serial mode < Default > DIF1: Parallel mode
22	RX4/DIF2	Set-up depending serial/parallel mode RX4: Serial mode < Default > DIF2: Parallel mode
23	RX6/IPS	Set-up depending serial/parallel mode RX6: Serial mode < Default > IPS: Parallel mode
24	RX4/IPS	Set-up depending serial/parallel mode RX4: Serial mode < Default > IPS: Parallel mode
25	RX5/DIF0	Set-up depending serial/parallel mode RX5: Serial mode < Default > DIF0: Parallel mode
26	RX6/DIF1	Set-up depending serial/parallel mode RX6: Serial mode < Default > DIF1: Parallel mode



<b>Control Software Manual</b>
--------------------------------

**■ Set-up of evaluation board and control software**

1. Set up the AKD4113-B according to previous term.
2. Connect IBM-AT compatible PC with AKD4113-B by 10-line type flat cable (packed with AKD4113-B). Take care of the direction of 10pin header.
3. Insert the CD-ROM labeled “AKD4113-B Evaluation Kit” into the CD-ROM drive.
4. Access the CD-ROM drive and double-click the icon of “akd4113-b.exe” to set up the control program.
5. Then please evaluate according to the follows.

**■ Operation flow**

Keep the following flow.

1. Set up the control program according to explanation above.
2. Click “Write default” button.
3. Then set up the dialog and input data.

**■ Explanation of each buttons**

1. [Port Setup] : Set up the printer port.
2. [Write default] : Initialize the register of AK4113.
3. [All Write] : Write all registers that is currently displayed.
4. [Read All] : All the registers of AK4113 are read.
5. [Function1] : Dialog to write data by keyboard operation.
6. [F3] : Dialog of sequential writing.
7. [SAVE] : Save the current register setting.
8. [OPEN] : Write the saved values to all register.
9. [Write] : Dialog to write data by mouse operation.
10. [Read] : The data corresponding to each register is read.

**■ Explanation of each dialog**

1. [Function1 Dialog] : Dialog to write data by keyboard operation

Address Box: Input register address in 2 figures of hexadecimal.

Data Box: Input register data in 2 figures of hexadecimal.

If you want to write the input data to AK4113, click “OK” button. If not, click “Cancel” button.

2. [Write Dialog] : Dialog to write data by mouse operation

There are dialogs corresponding to each register.

Click the “Write” button corresponding to each register to set up the dialog. If you check the check box, data becomes “H” or “1”. If not, “L” or “0”.

If you want to write the input data to AK4113, click “OK” button. If not, click “Cancel” button.

**■ Indication of data**

Input data is indicated on the register map. Red letter indicates “H” or “1” and blue one indicates “L” or “0”. Blank is the part that is not defined in the datasheet.

**■ Attention on the operation**

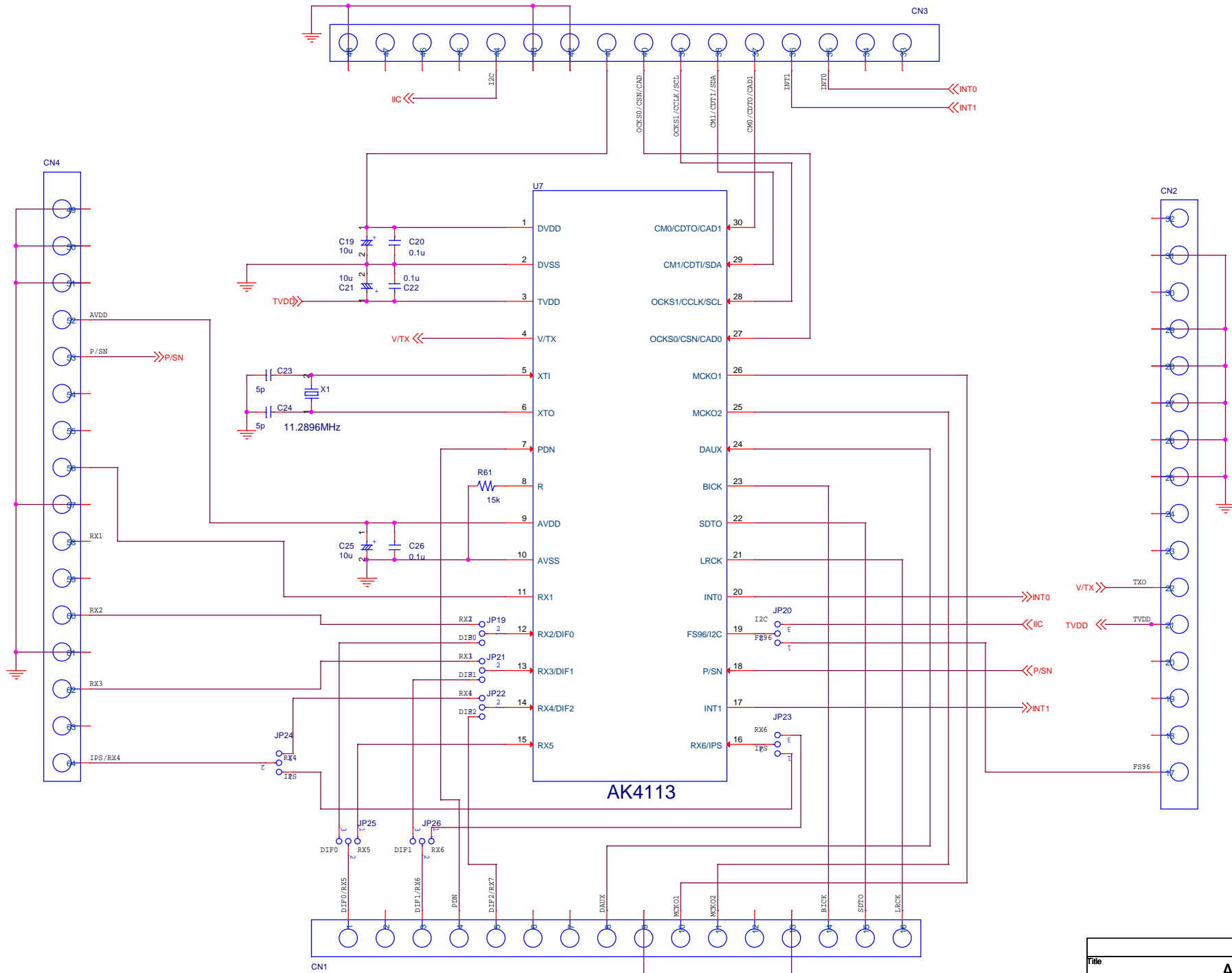
If you set up Function1 dialog, input data to all boxes. Attention dialog is indicated if you input data or address that is not specified in the datasheet or you click “OK” button before you input data. In that case set up the dialog and input data once more again. These operations does not need if you click “Cancel” button or check the check box.

**Revision History**

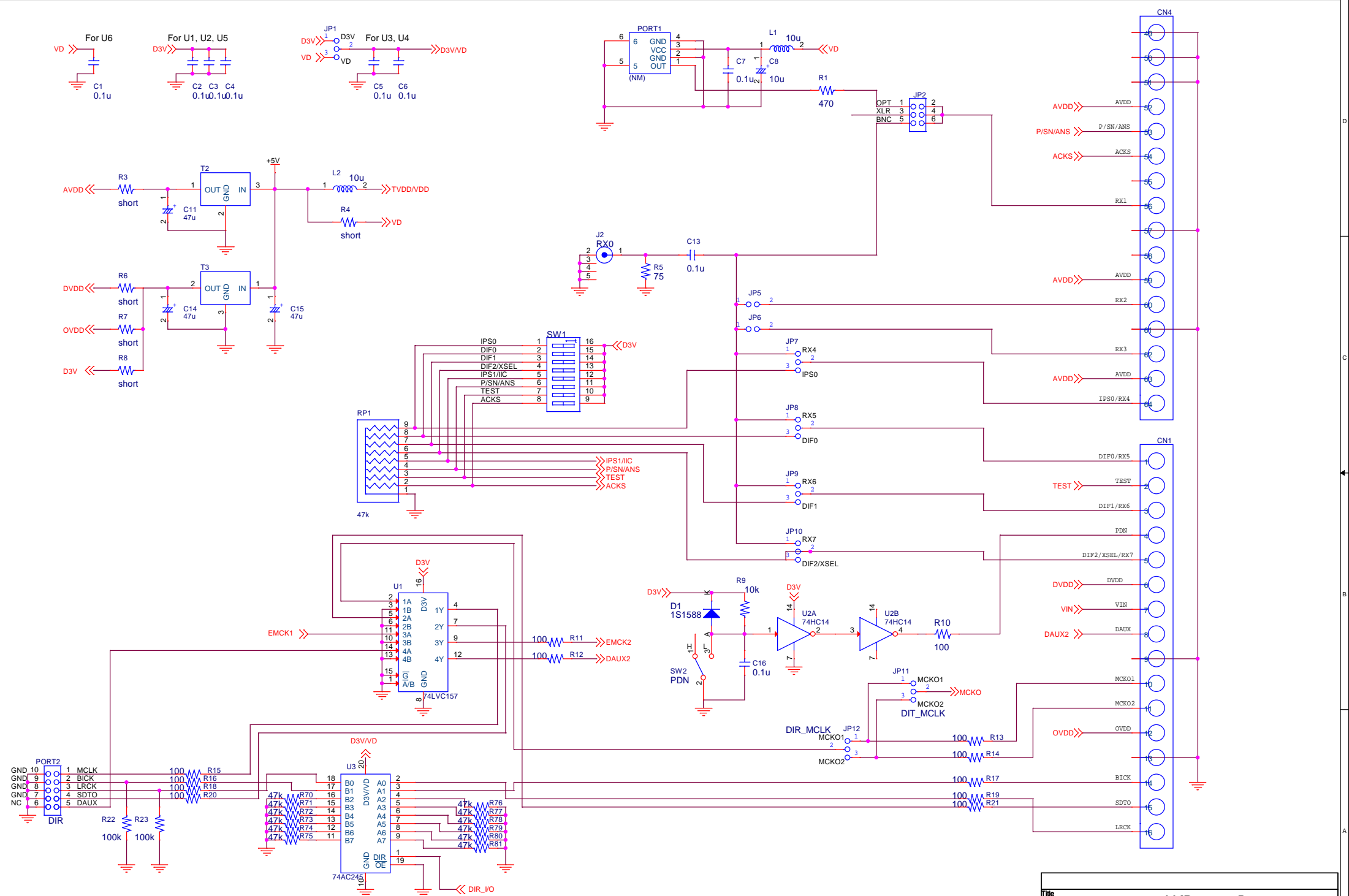
Date (YY/MM/DD)	Manual Revision	Board Revision	Reason	Contents
04/11/11	KM076500	0	First Edition	
04/11/30	KM076501	1	Modification	Circuit diagram (U1-15 pin and U1-1 pin) is changed
05/11/02	KM076502	1	Modification	Block diagram at DIR Evaluation is added.
06/01/16	KM076503	1	Error correct	Select RX input in parallel mode. RX1, RX5→RX1
15/11/12	KM076504	2	Change	Circuit diagram ware changed. PORT1 and PORT4: "Mount" -> "No Mount".

**IMPORTANT NOTICE**

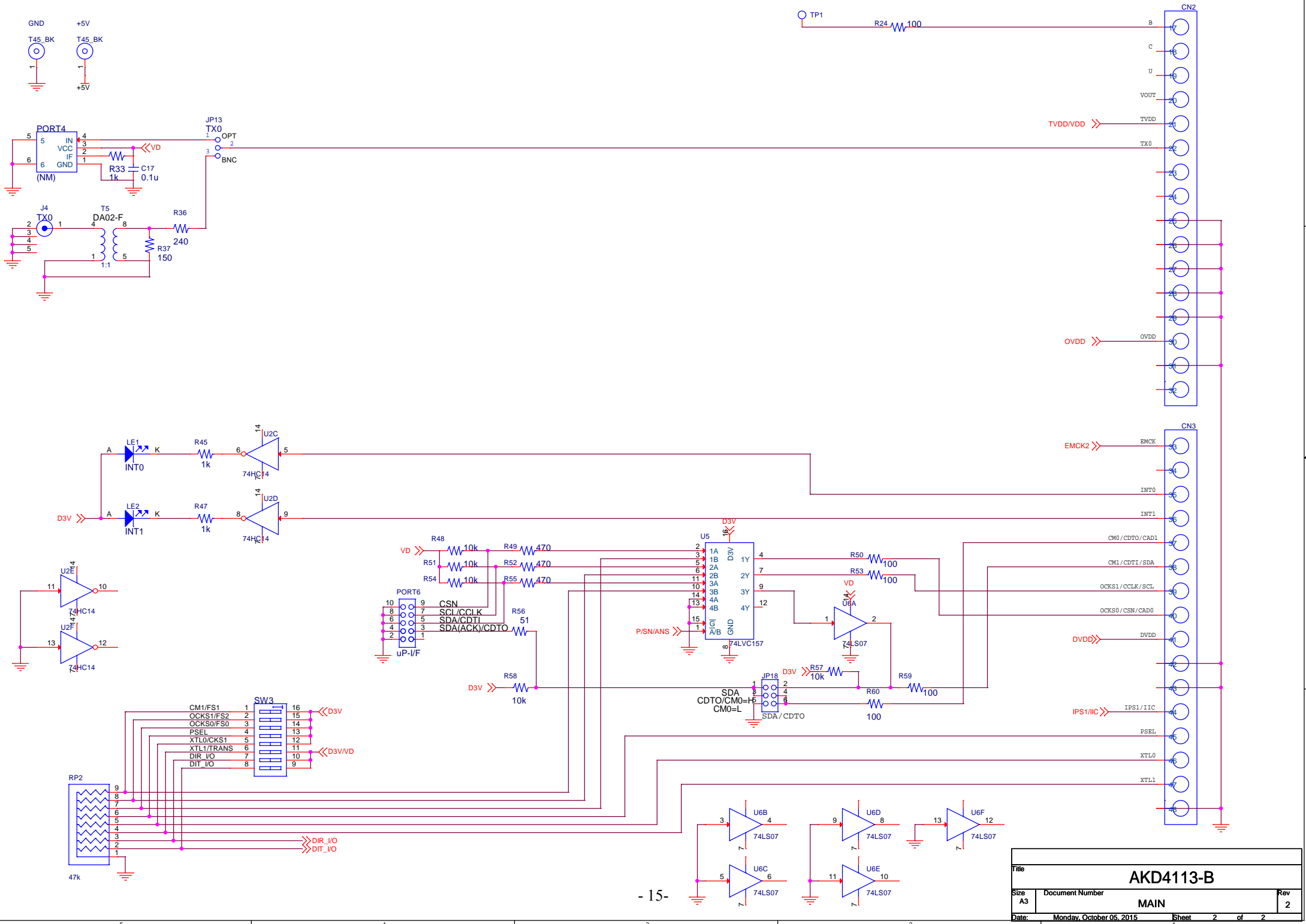
0. Asahi Kasei Microdevices Corporation (“AKM”) reserves the right to make changes to the information contained in this document without notice. When you consider any use or application of AKM product stipulated in this document (“Product”), please make inquiries the sales office of AKM or authorized distributors as to current status of the Products.
1. All information included in this document are provided only to illustrate the operation and application examples of AKM Products. AKM neither makes warranties or representations with respect to the accuracy or completeness of the information contained in this document nor grants any license to any intellectual property rights or any other rights of AKM or any third party with respect to the information in this document. You are fully responsible for use of such information contained in this document in your product design or applications. **AKM ASSUMES NO LIABILITY FOR ANY LOSSES INCURRED BY YOU OR THIRD PARTIES ARISING FROM THE USE OF SUCH INFORMATION IN YOUR PRODUCT DESIGN OR APPLICATIONS.**
2. The Product is neither intended nor warranted for use in equipment or systems that require extraordinarily high levels of quality and/or reliability and/or a malfunction or failure of which may cause loss of human life, bodily injury, serious property damage or serious public impact, including but not limited to, equipment used in nuclear facilities, equipment used in the aerospace industry, medical equipment, equipment used for automobiles, trains, ships and other transportation, traffic signaling equipment, equipment used to control combustions or explosions, safety devices, elevators and escalators, devices related to electric power, and equipment used in finance-related fields. Do not use Product for the above use unless specifically agreed by AKM in writing.
3. Though AKM works continually to improve the Product’s quality and reliability, you are responsible for complying with safety standards and for providing adequate designs and safeguards for your hardware, software and systems which minimize risk and avoid situations in which a malfunction or failure of the Product could cause loss of human life, bodily injury or damage to property, including data loss or corruption.
4. Do not use or otherwise make available the Product or related technology or any information contained in this document for any military purposes, including without limitation, for the design, development, use, stockpiling or manufacturing of nuclear, chemical, or biological weapons or missile technology products (mass destruction weapons). When exporting the Products or related technology or any information contained in this document, you should comply with the applicable export control laws and regulations and follow the procedures required by such laws and regulations. The Products and related technology may not be used for or incorporated into any products or systems whose manufacture, use, or sale is prohibited under any applicable domestic or foreign laws or regulations.
5. Please contact AKM sales representative for details as to environmental matters such as the RoHS compatibility of the Product. Please use the Product in compliance with all applicable laws and regulations that regulate the inclusion or use of controlled substances, including without limitation, the EU RoHS Directive. AKM assumes no liability for damages or losses occurring as a result of noncompliance with applicable laws and regulations.
6. Resale of the Product with provisions different from the statement and/or technical features set forth in this document shall immediately void any warranty granted by AKM for the Product and shall not create or extend in any manner whatsoever, any liability of AKM.
7. This document may not be reproduced or duplicated, in any form, in whole or in part, without prior written consent of AKM.



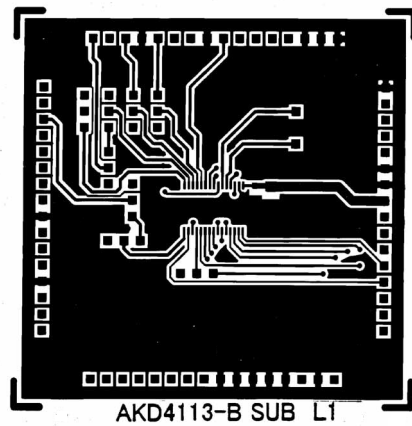
Title			AKD4113-B		
Size	Document Number				Rev
A3	SUB				2
Date:	Monday, October 05, 2015		Sheet	1	of 1



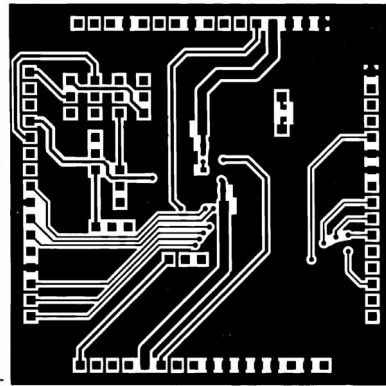
Title			AKD4113-B		
Size	Document Number				Rev
A3	MAIN				2
Date:	Monday, October 05, 2015		Sheet	1 of 2	



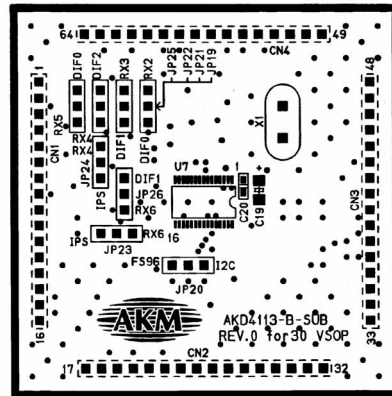
Title			<b>AKD4113-B</b>		
Size	Document Number				Rev
A3	<b>MAIN</b>				2
Date:	Monday, October 05, 2015	Sheet	2	of	2



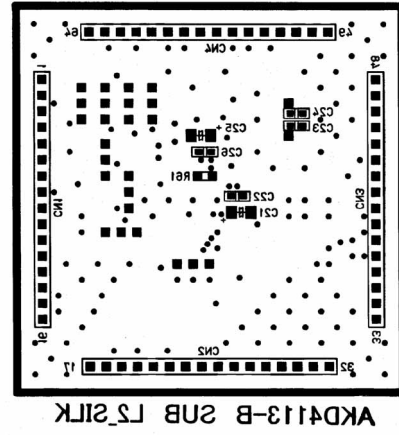


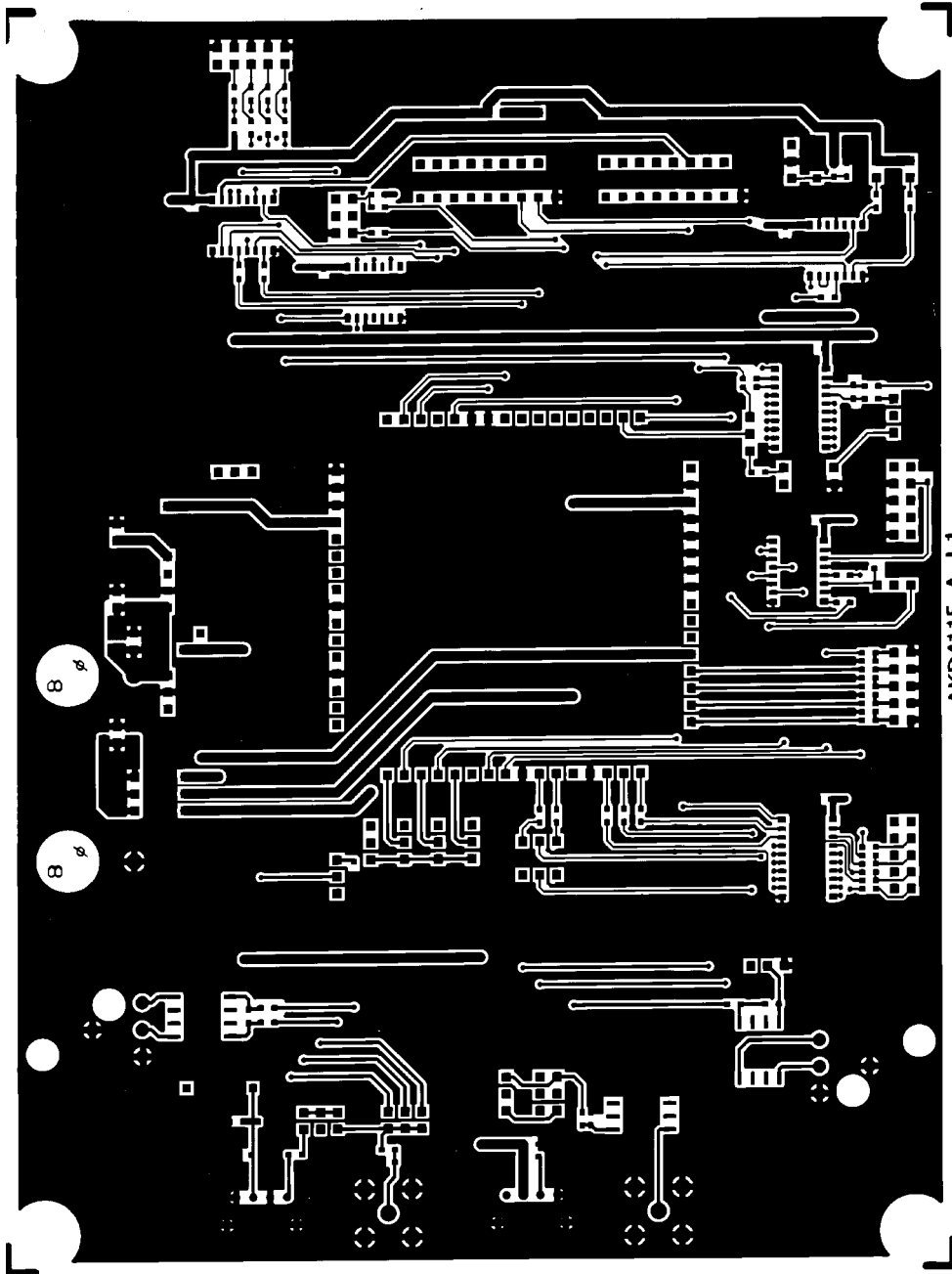


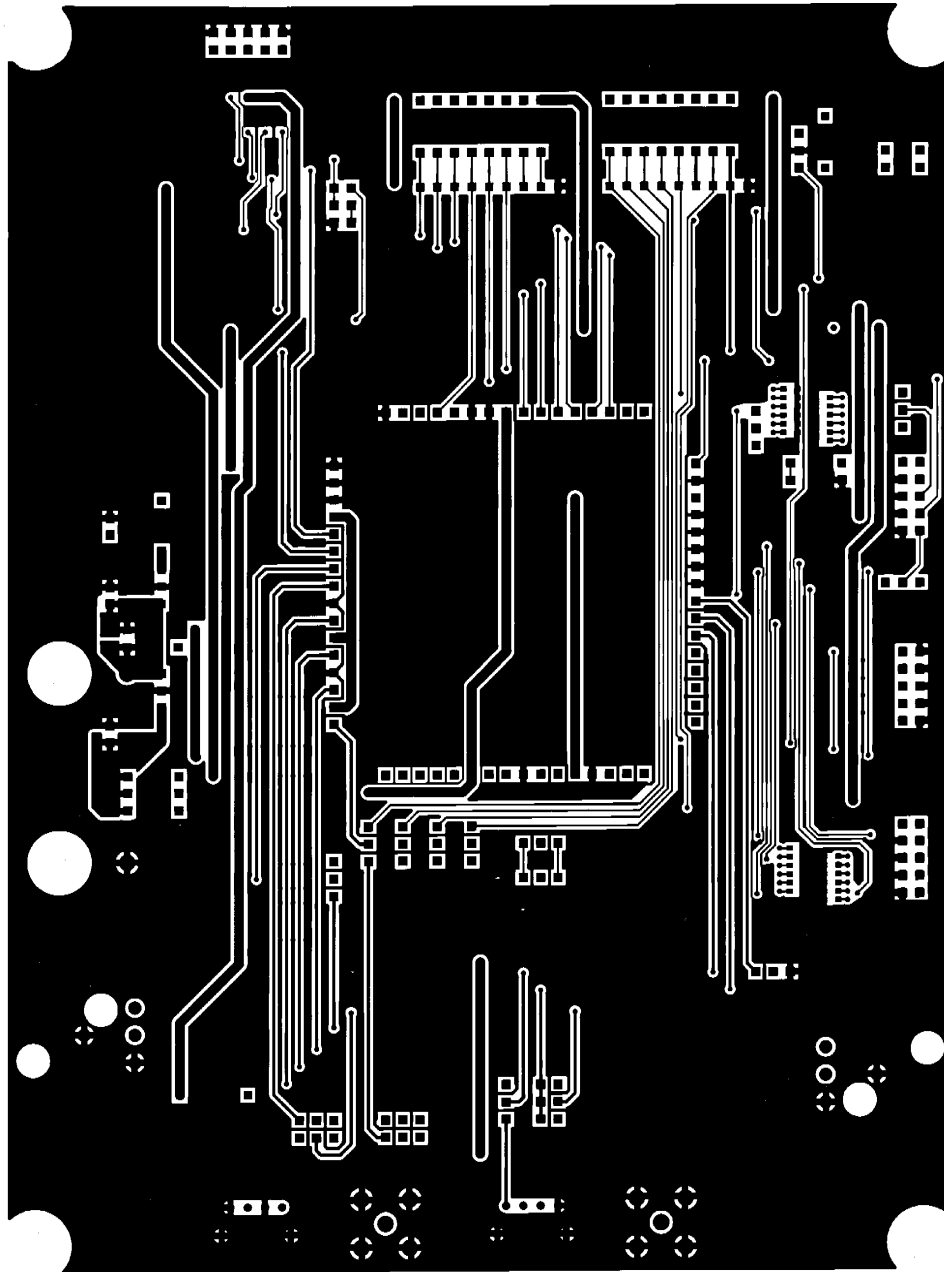
AKD413-B SUB L3



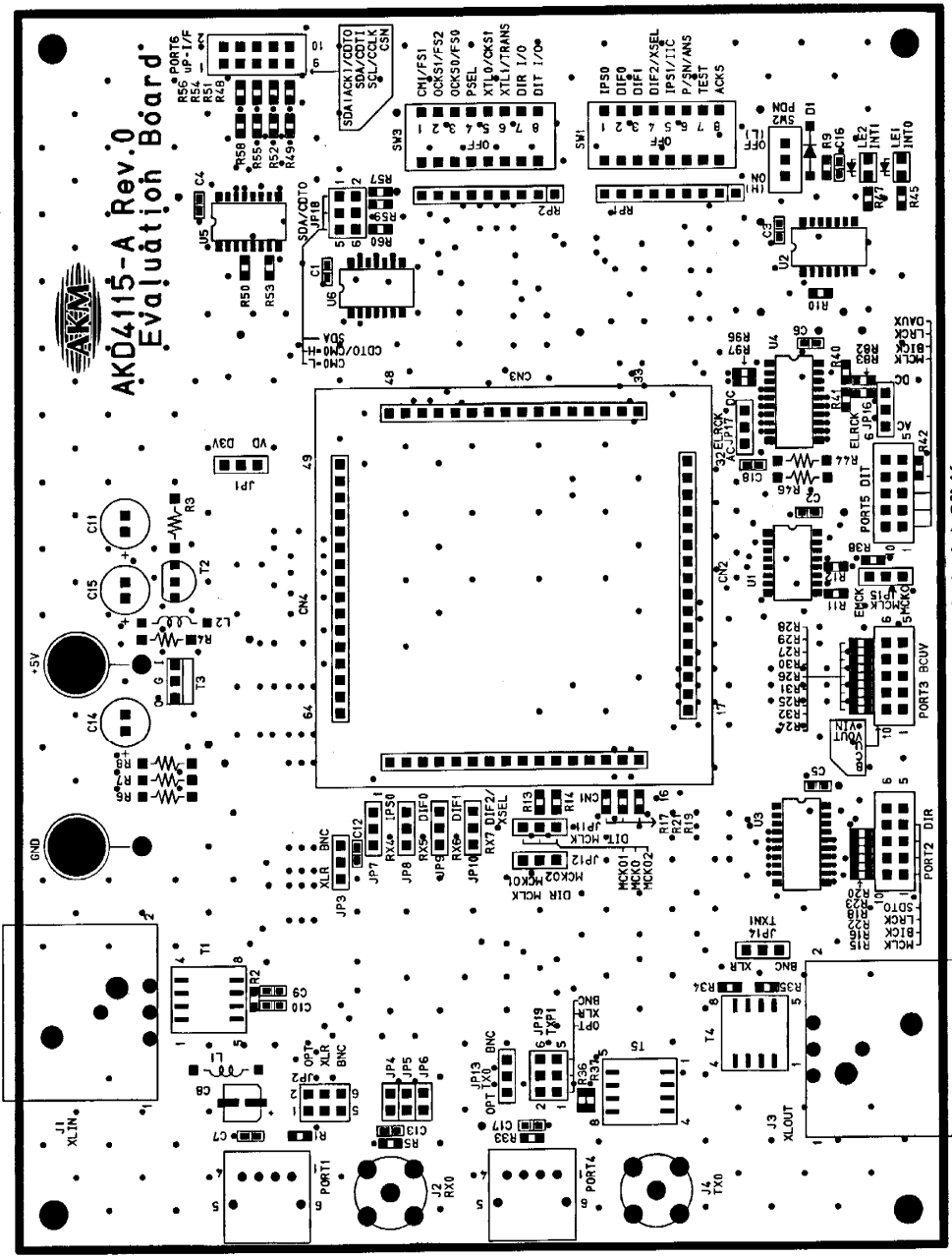
AKD4113-B SUB L1\_SILK





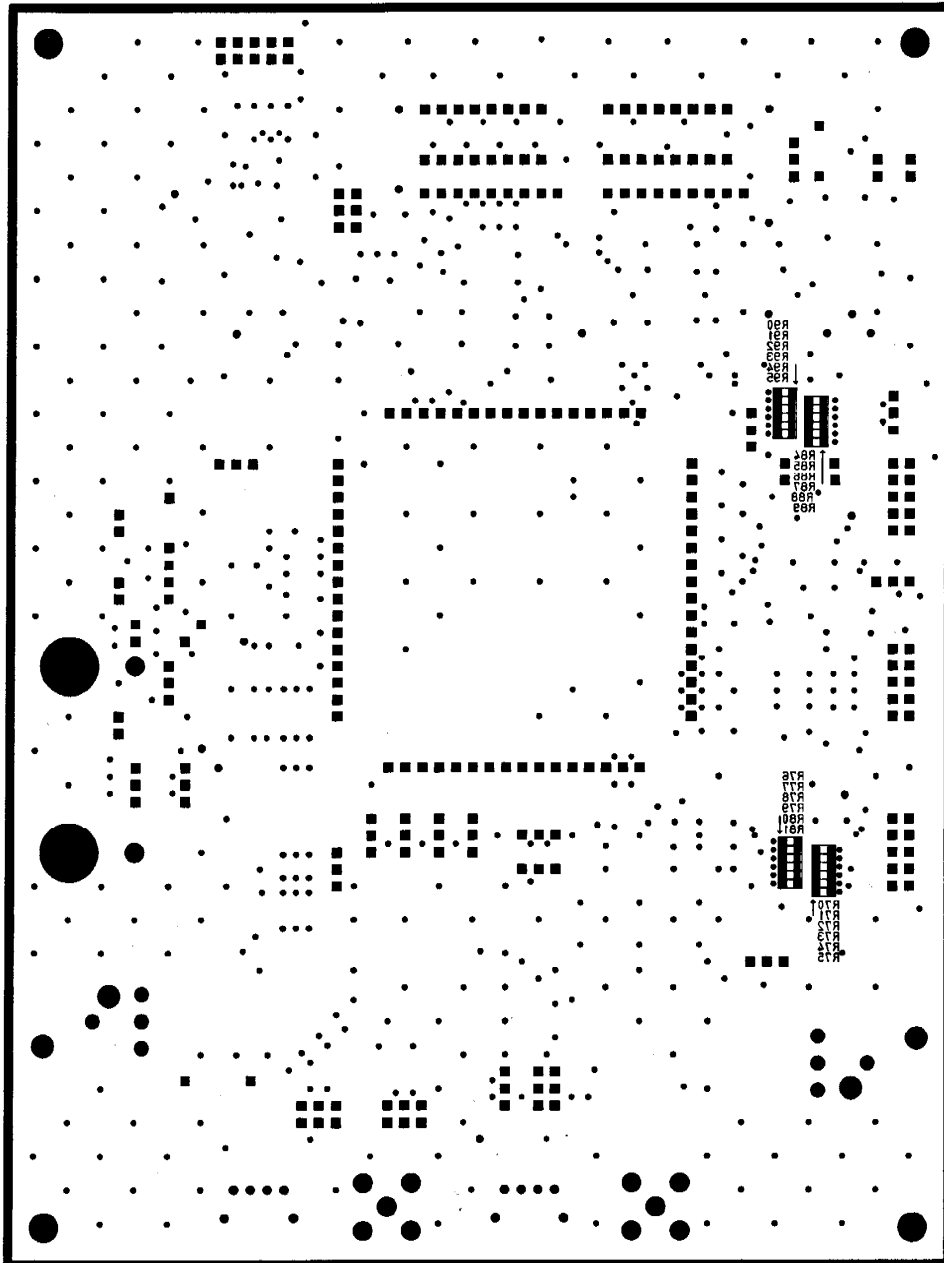


AKD0112-A SJ



**AKM**  
**AKD4115-A Rev.0**  
**Evaluation Board**

AKD4115-A L1\_SILK



VKD4112-A FS\_SILK