



AKD4183 AK4183 Rev.A Evaluation Board

Abstract

AKD4183 is the board for evaluation of the touch screen controller AK4183 which adopted the TMSOP small package suitable for the cellular phone, the handheld game machine, etc. Since AKD4183 has a touch-panel I/F and a digital I/O power supply input terminal, it is easily connectable with a target system of low power/voltage drive.

Function

- AK4183 (TMSOP 10 package)
- I²C I/F for uP
- Touch-panel I/F
- Digital I/O power supply terminal

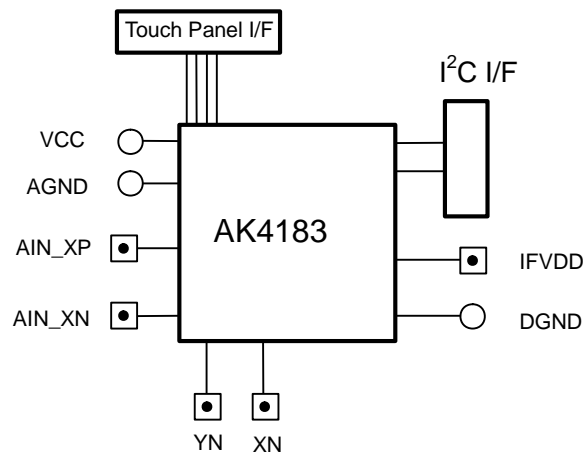


Figure 1 AKD4183 Block Diagram

■ Operation procedure

1. Wiring of a power supply
 - VCC (Red) = 2.5V~3.6V
 - AGND (Black) = 0V
 - DGND (Black) = 0V
 - IFVDD (Orange) = VCC
 - JP1-short (default: CAD0pin = "L"), JP2-short
2. A setup of I²C address J1 (short: CAD0pin = "L", open: CAD0pin = "H")
3. Connect I²C I/F (SCL, SDA) to uP.
4. A setup of evaluation mode, jumper
5. Power supply ON
6. Run the control soft

■ Evaluation mode selection

- 1) Position, Pen Pressure
 - 4 wire touch-panel (X+, X-, Y+, and Y-) is connected to J1 connector.
 - Jumper setup
 - JP3 (XPSEL) -----select XP
 - JP4 (YPSEL) -----select YP
 - JP5 (XNSEL) -----select XN
 - JP6 (YNSEL) -----select YN

■ Power supply injection, Evaluation

- 1) Digital serial data input

When the control command data indicated by specification from digital I/F (P1 or PORT1) was inputted the AD conversion is carried out and is outputted from a SDA.

■ Parallel Port Driver install

Attached software is the application software which checks the function of the AK4183. Windows(R) Win98, Win2K, and WinXP are supported. However, to make it operate on Win2K and XP, it is necessary to install driver in advance. Please follow a procedure with reference to DriverSetupe.pdf. Installation of a driver is unnecessary to use it by the Windows 98 system.

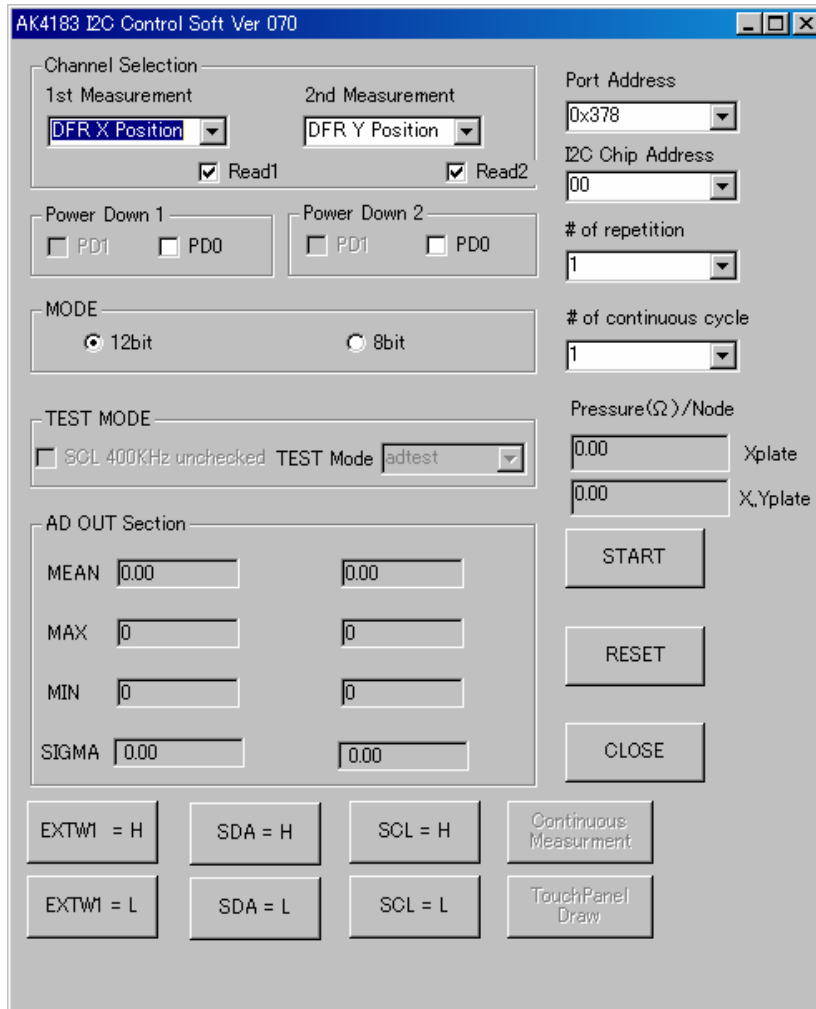
<KM085700>

2006/9

■ Run the software (AK4183_070.exe)

First match Port Address of your PC environment. Measurements are started when the start button is clicked after select Channel Selection, MODE, and Power Down 0. A result will be displayed on AD OUT Section. When carrying out position detection, the position where pen clicked on the touch panel is measured.

Operation can set up two control commands. Continuation operation can be performed. Each data (mean, max, and min) is also displayed at the same time. PENIRQN can be seen by the break of a command.



■ Trouble Shooting

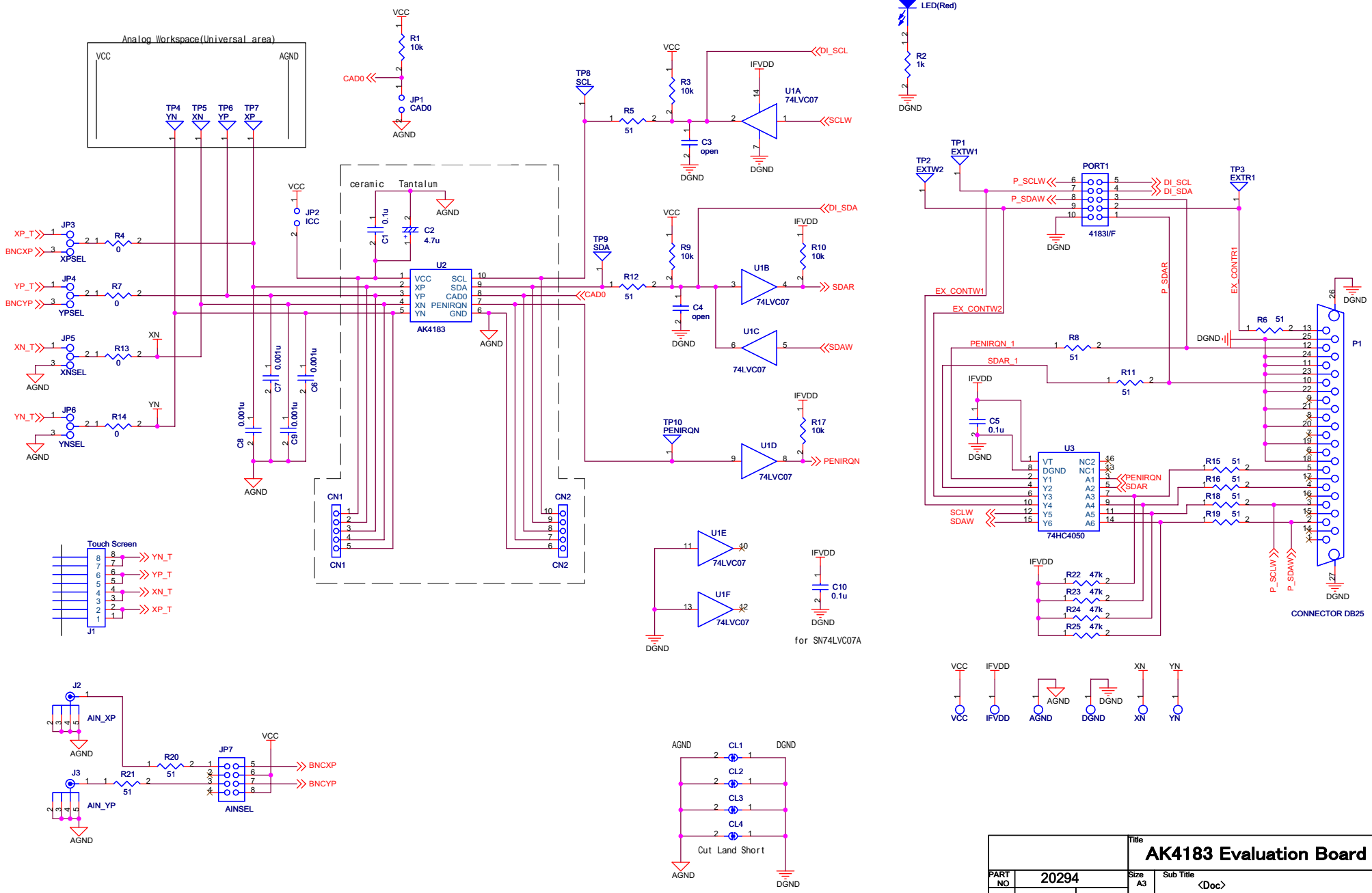
1. Application error is occurred and doesn't start up
If the operating system is Window2000/X, Please install AKMport driver in advance of run the AK4183_070.exe.
2. MEAN value in AD OUT section does not change when click start button (cannot write control command to AK4183)
Please set the port address to your PC platform environment.
3. The mean, max, min value doesn't change wherever the pen pushes down on the panel.
There is a possibility of the trouble of the contact of the relay connector (plat 8pin-8-wire female dip converter) that connects the touch panel. Please open JP3, 4, 5, and 6 on the evaluation board, measure panel seat resistance (XP-XN, YP-YN), and check the resistance. Generally, the panel seat resistance is hundreds of Ω . There is a possibility that the touch panel is not correctly connected if the resistance is over thousands of $k\Omega$. Please connect the relay connector and check the resistance value again.

Revision History

Date (YY/MM/DD)	Manual Revision	Board Revision	Reason	Contents
06/09/22	KM085700	0	First edition	

IMPORTANT NOTICE

- These products and their specifications are subject to change without notice. Before considering any use or application, consult the Asahi Kasei Microsystems Co., Ltd. (AKM) sales office or authorized distributor concerning their current status.
- AKM assumes no liability for infringement of any patent, intellectual property, or other right in the application or use of any information contained herein.
- Any export of these products, or devices or systems containing them, may require an export license or other official approval under the law and regulations of the country of export pertaining to customs and tariffs, currency exchange, or strategic materials.
- AKM products are neither intended nor authorized for use as critical components in any safety, life support, or other hazard related device or system, and AKM assumes no responsibility relating to any such use, except with the express written consent of the Representative Director of AKM. As used here:
 - (a) A hazard related device or system is one designed or intended for life support or maintenance of safety or for applications in medicine, aerospace, nuclear energy, or other fields, in which its failure to function or perform may reasonably be expected to result in loss of life or in significant injury or damage to person or property.
 - (b) A critical component is one whose failure to function or perform may reasonably be expected to result, whether directly or indirectly, in the loss of the safety or effectiveness of the device or system containing it, and which must therefore meet very high standards of performance and reliability.
- It is the responsibility of the buyer or distributor of an AKM product who distributes, disposes of, or otherwise places the product with a third party to notify that party in advance of the above content and conditions, and the buyer or distributor agrees to assume any and all responsibility and liability for and hold AKM harmless from any and all claims arising from the use of said product in the absence of such notification.



PART NO		Title		Rev
20294		AK4183 Evaluation Board		1.0
Size	A3	Sub Title	<Doc>	
DESIGNER	2005.11.16	CHECKED	KIMURA	
1.0	2005.11.16	APPROVED		
Rev.	Date	Modify Page	Date: Wednesday, November 16, 2005	Sheet 1 / 1