



# AKD4554-E

## Evaluation board Rev.0 for AK4554

### GENERAL DESCRIPTION

AKD4554-E is an evaluation board for the portable digital audio 16bit A/D and D/A converter, AK4554. The AKD4554-E can evaluate A/D converter and D/A converter separately in addition to loopback mode (A/D → D/A). The A/D section can be evaluated by interfacing with AKM's DAC evaluation boards directly. The AKD4554 has the interface with AKM's ADC evaluation boards. Therefore, it's easy to evaluate the D/A section. The AKD4554-E also has the digital audio interface and can achieve the interface with digital audio systems via opt-connector.

■ **Ordering guide**

AKD4554 -E --- Evaluation board for AK4554

### FUNCTION

- **Compatible with 2 types of interface**
  - **Direct interface with AKM's A/D & D/A converter evaluation boards**
  - **DIT/DIR with optical input/output**

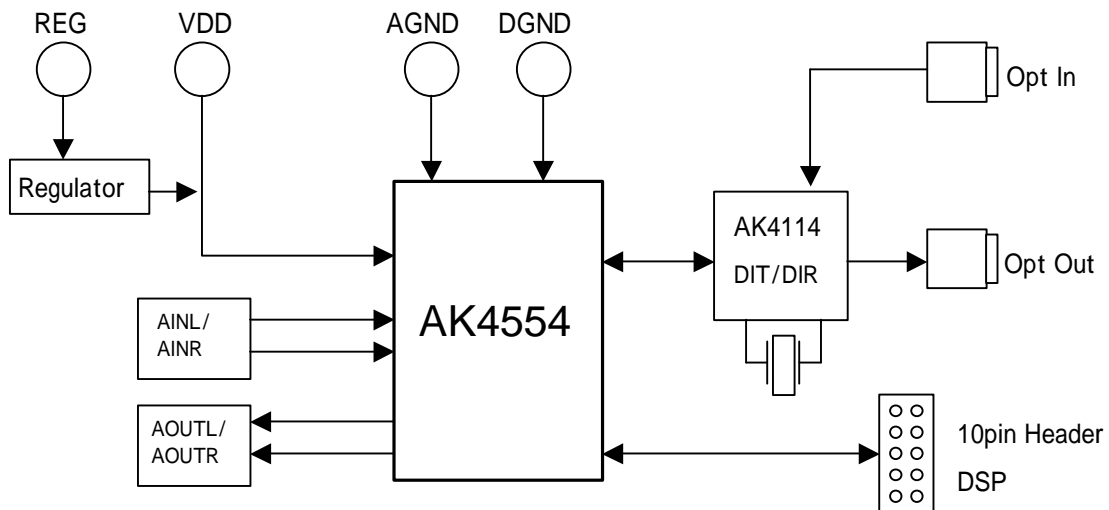


Figure 1. AKD4554-E Block Diagram

\* Circuit diagram and PCB layout are attached at the end of this manual.

<b>Evaluation Board Manual</b>
--------------------------------

**■ Operation sequence**

## 1) Set up the power supply lines.

[VDD] (Orange)	= 1.6 ~ 3.6V	: for VDD of AK4554
[REG] (Red)	= 5.0V	: for regulator
[AGND] (Black)	= 0V	: for analog ground (including VSS of AK4554)
[DGND] (Black)	= 0V	: for logic ground

Each supply line should be distributed from the power supply unit.

## 2) Set up the evaluation mode, jumper pins and DIP switches. (See the followings.)

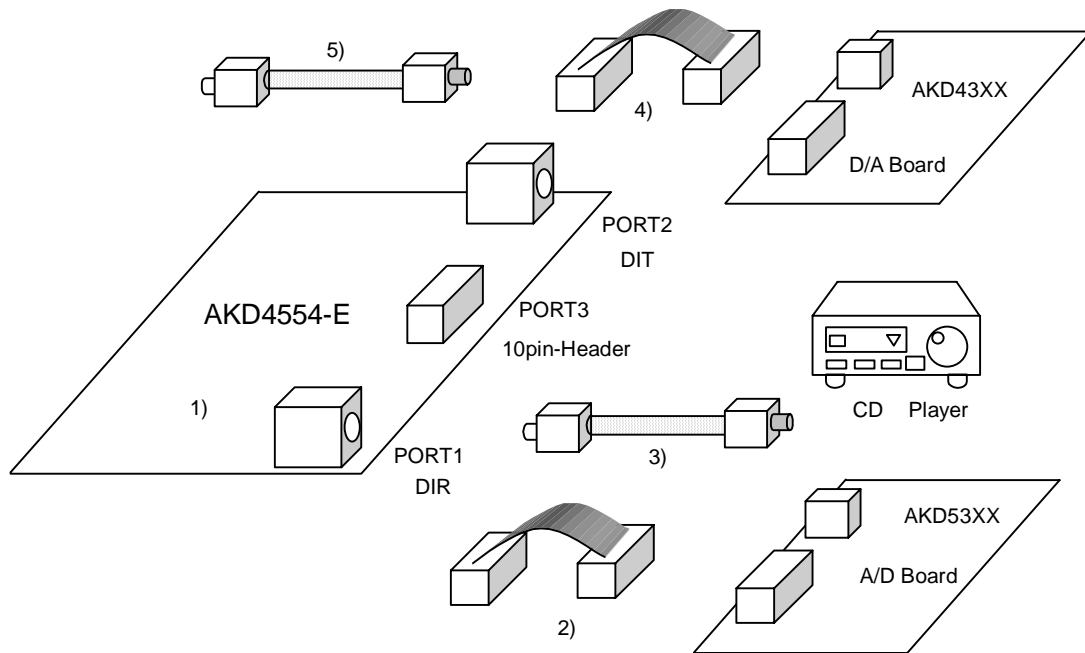
## 3) Power on.

The AK4554 should be reset once bringing SW2 (PDN) "OFF" upon power-up.

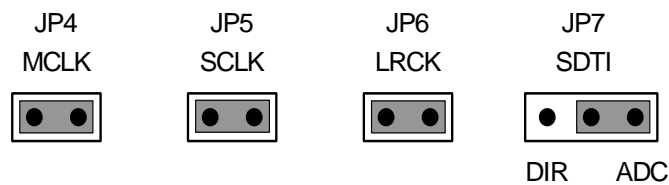
■ Evaluation mode

Applicable Evaluation Mode

- 1) Evaluation of loopback mode (default)
- 2) Evaluation of D/A using A/D converted data
- 3) Evaluation of D/A using DIR (Optical Link)
- 4) Evaluation of A/D using D/A converted data
- 5) Evaluation of A/D using DIT (Optical Link)
- 6) All interface signals including master clock are fed externally.

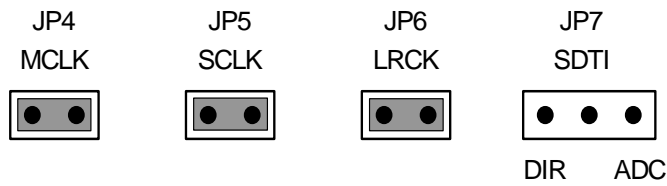


- 1) Evaluation of loopback mode. (default)  
Nothing should be connected to PORT1/PORT3.



2) Evaluation of D/A using A/D converted data.

D/A part can be evaluated by connecting with AKM's A/D evaluation boards via PORT3.  
Nothing should be connected to PORT1



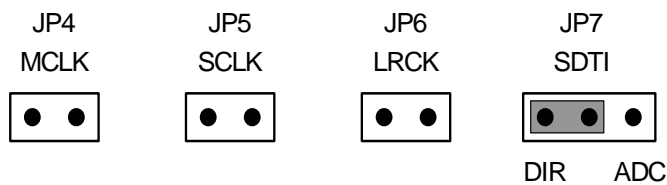
3) Evaluation of D/A using DIR. (Optical link)

PORT1 (TORX141) is used. DIR generates MCLK, SCLK, LRCK and SDATA from the received data through optical connector (TORX141). Used for the evaluation using CD test disk. Nothing should be connected to PORT2/PORT3.



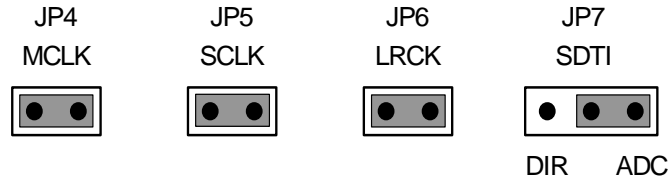
4) Evaluation of A/D using D/A converted data.

A/D part can be evaluated by connecting with AKM's D/A evaluation boards via PORT3.  
Nothing should be connected to PORT1.



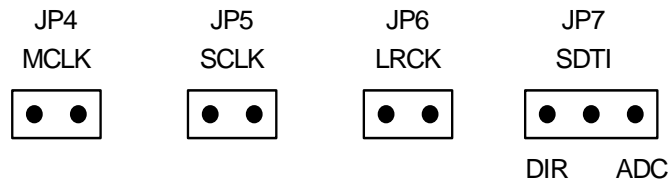
5) Evaluation of A/D using DIT. (Optical link)

PORT2 (TOTX141) is used. DIT generates audio bi-phase signal from received data and which is output through optical connector (TOTX141). It is possible to connect AKM's D/A converter evaluation boards on the digital-amplifier, which equips DIR input.



6) All interfacing signals (MCLK, SCLK, LRCK) are fed from the external circuit through PORT3.

Under the following set-up, all external signals needed for the AK4554 to operate could be fed through PORT3.



## ■ DIP switch set up

Upper-side is “ON” (“H”) and lower side is “OFF” (“L”).

[SW1]: Set up the AK4554 and AK4114.

SW No.	SW Name	Mode
1	DIF2, 0	AK4554 and AK4114 Audio Format Setting Always OFF.
2	DEM1	Set up the de-emphasis of AK4554 (See table 2)
3	DEM0	
4	NC	No use

Table 1. DIPswitch set-up of AK4114

DEM1 (SW1-#2)	DEM0 (SW1-#3)	Mode
OFF	OFF	44.1kHz
OFF	ON	OFF
ON	OFF	48kHz
ON	ON	32kHz

Table 2. DIPswitch set up of de-emphasis

**■ Other jumper pins set up**

[JP1] (GND): Connection between AGND and DGND  
open: Both grounds are separated on board. <default>  
short: Both grounds are connected on board.

[JP2] (REG): Select to regulator  
open: On-board regulator is not used. <default>  
short: On-board regulator is used. (The connector "VDD" can be open.)

[JP3] (PWR): Pull up power supply select for SDTO.  
VDD: Connected to VDD of AK4554. <default>  
D3V: Supplied from regulator (3V).

**■ The function of the toggle SW.**

Upper-side is "ON" and lower side is "OFF".

[SW2] (PDN): Resets the AK4554 and AK4114. Keep "ON" during normal operation.

**■ Indication for LED**

[LED1] (ERF): Monitor INT0 pin of the AK4114. LED turns on when some error has occurred to AK4114.

■ Input Circuit

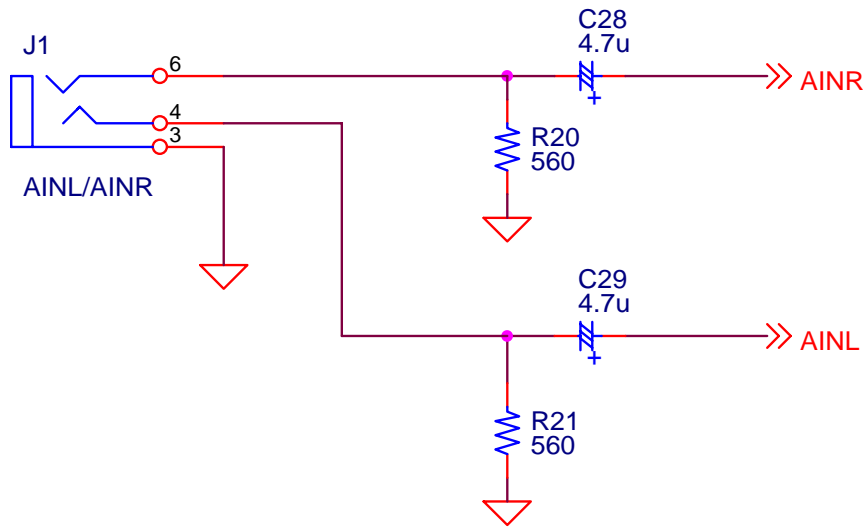


Figure 2. Input circuit on board

■ Output Circuit

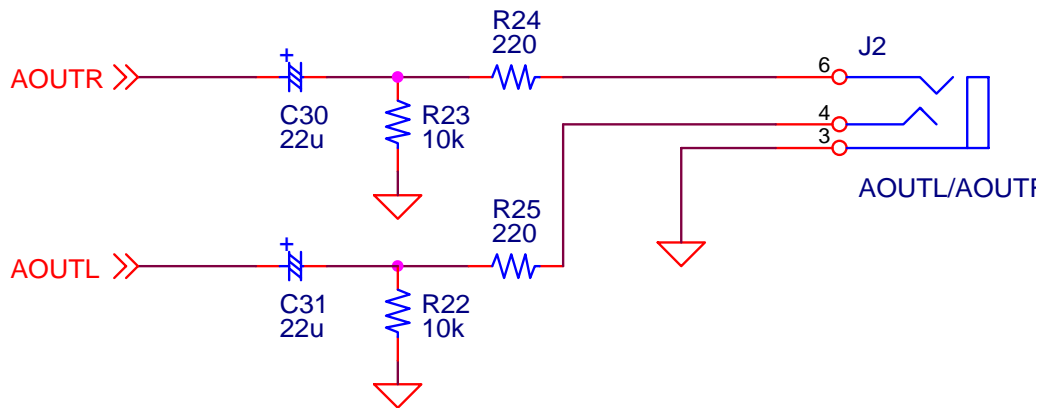


Figure 3. Output circuit on board

\* AKM assumes no responsibility for the trouble when using the circuit examples.



<b>MEASUREMENT RESULTS</b>
----------------------------

[Measurement condition]

- Measurement unit : Audio Precision, System two
- MCLK : 256fs
- SCLK : 64fs
- fs : 44.1kHz
- Bit : 16bit
- Power Supply : VDD = VP = 2.5V, VD = 5V
- Interface : DIT/DIR
- Temperature : Room

### 1. ADC

VDD	Parameter	Measured Filter	AINL	AINR
2.5V	S/(N+D) (-0.5dBFS)	20kHz LPF	80.9 dB	81.0 dB
	D-Range (-60dBFS)	20kLPF + A-weighted	89.4 dB	89.2 dB
	S/N (0 data)	20kLPF + A-weighted	89.3 dB	89.2 dB

### 2. DAC

VDD	Parameter	Measured Filter	AOUTL	AOUTR
2.5V	S/(N+D) (0dBFS)	20kHz LPF	84.5 dB	84.5 dB
	D-Range (-60dBFS)	22kLPF + A-weighted	91.6 dB	91.7 dB
	S/N (0 data)	22kLPF + A-weighted	91.9 dB	92.1 dB

3.PLOT DATA  
3-1 ADC

AKM

AK4554 ADC THD+N vs.Input Level  
VDD=2.5V, fs=44.1kHz, fin=1kHz

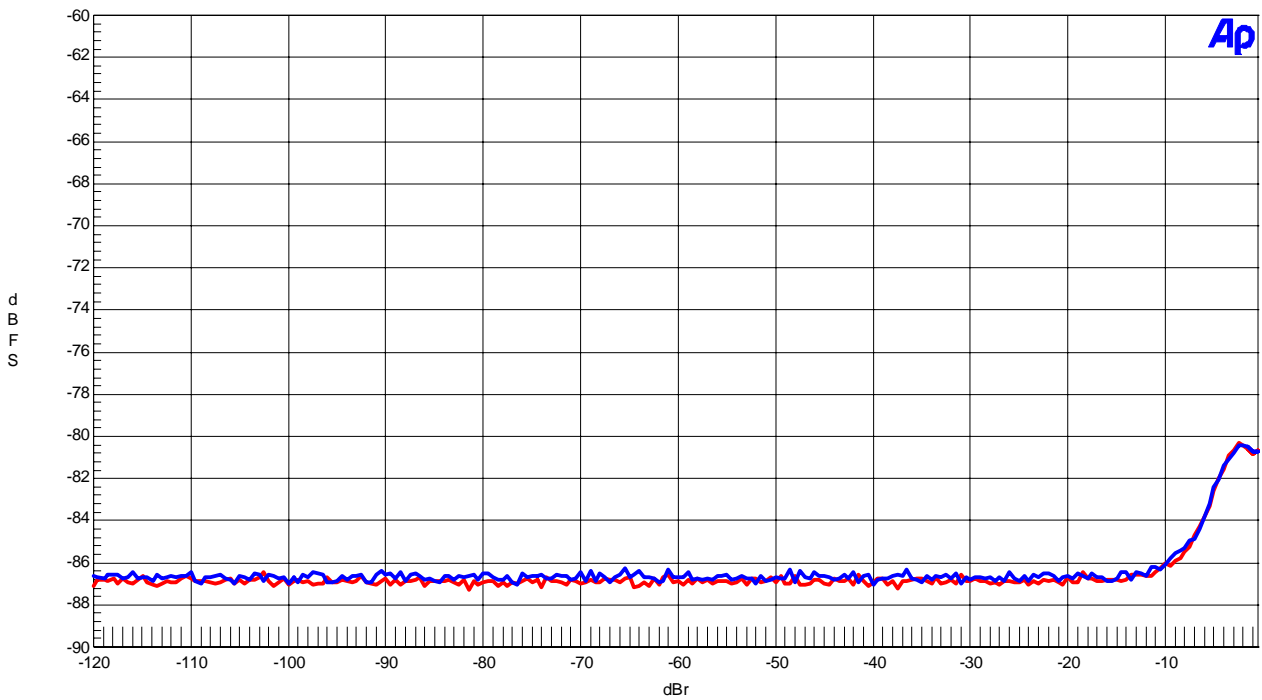


Fig. 1 THD+N vs. Input Level

AKM

AK4554 ADC THD+N vs. Input Frequency  
VDD=2.5V, fs=44.1kHz, Input Level=-0.5dB

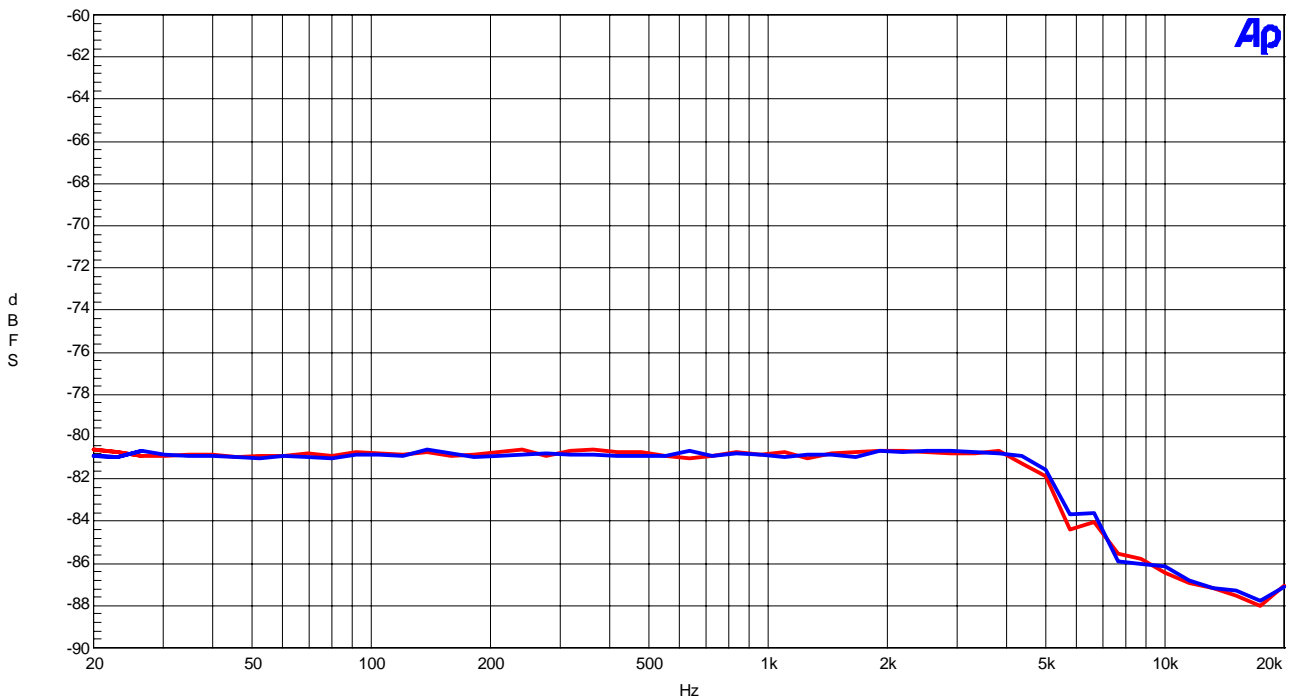


Fig.2 THD+N vs. Input Frequency

AKM

AK4554 ADC Linearity  
VDD=2.5V, fs=44.1kHz, fin=1kHz

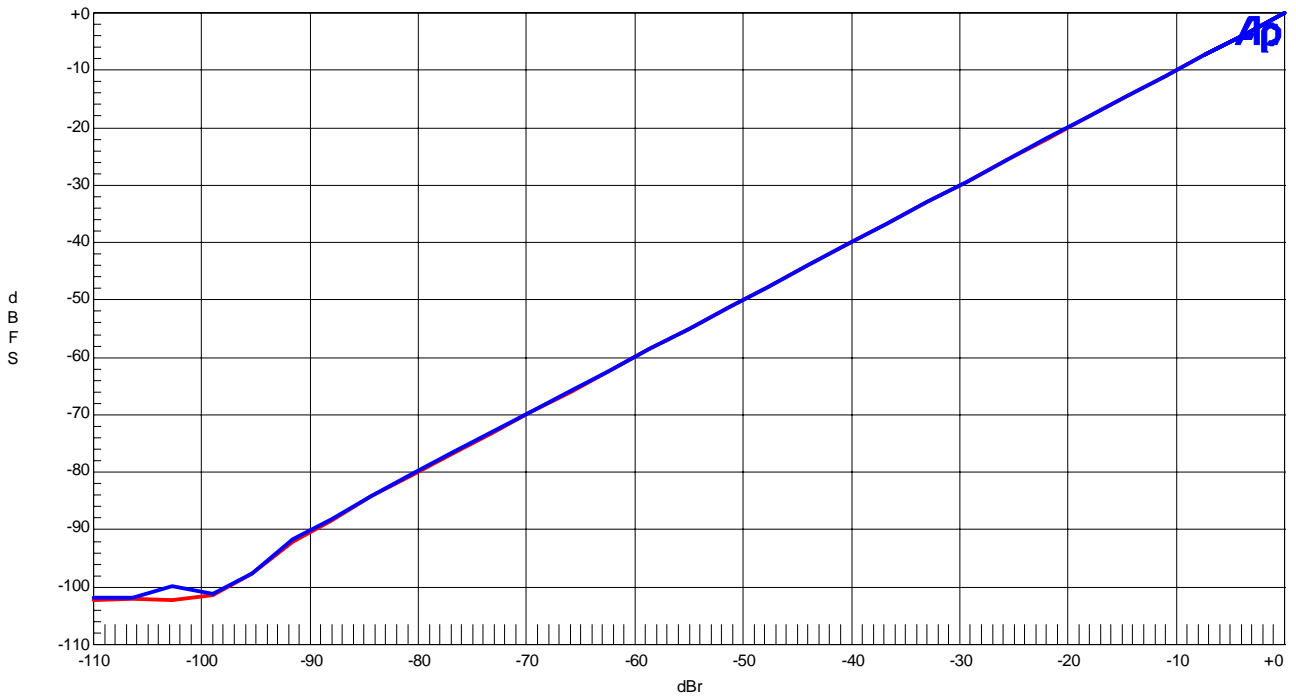


Fig.3 Linearity

AKM

AK4554 ADC Frequency Response  
VDD=2.5V, fs=44.1kHz, Input level=-0.5dB

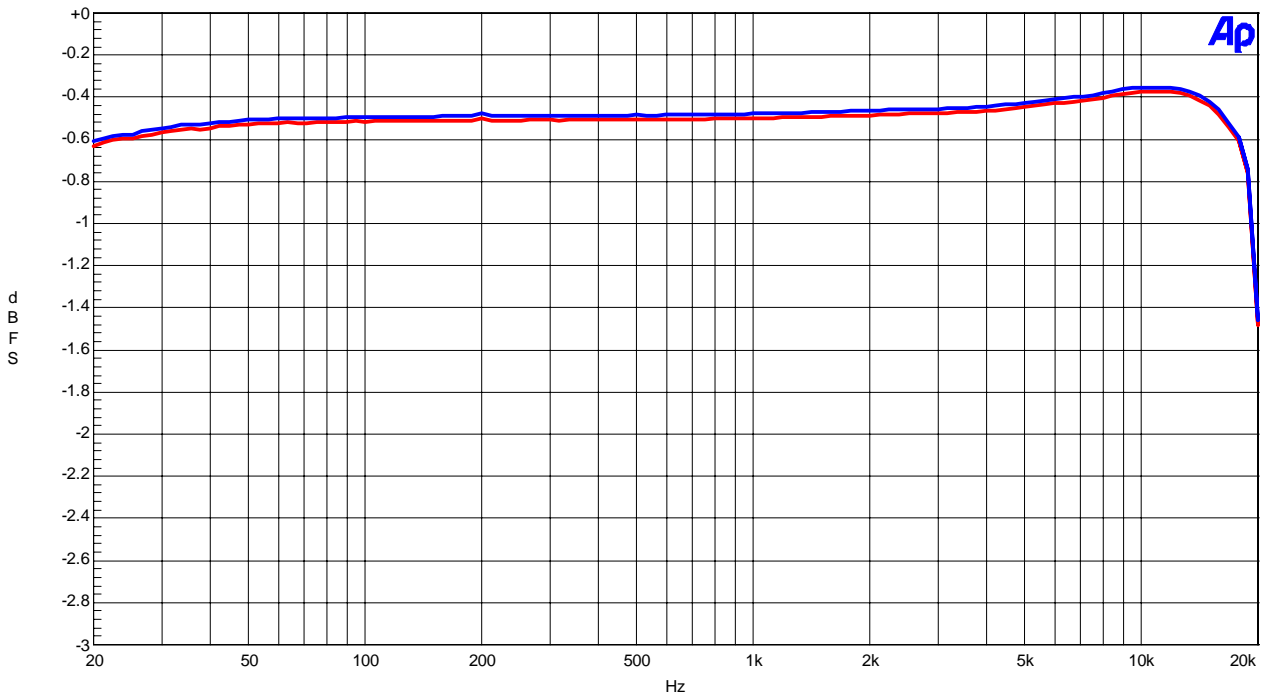


Fig.4 Frequency Response

AKM

AK4554 ADC FFT Plot  
VDD=2.5V, fs=44.1kHz, fin=1kHz, Input Level=-0.5dB

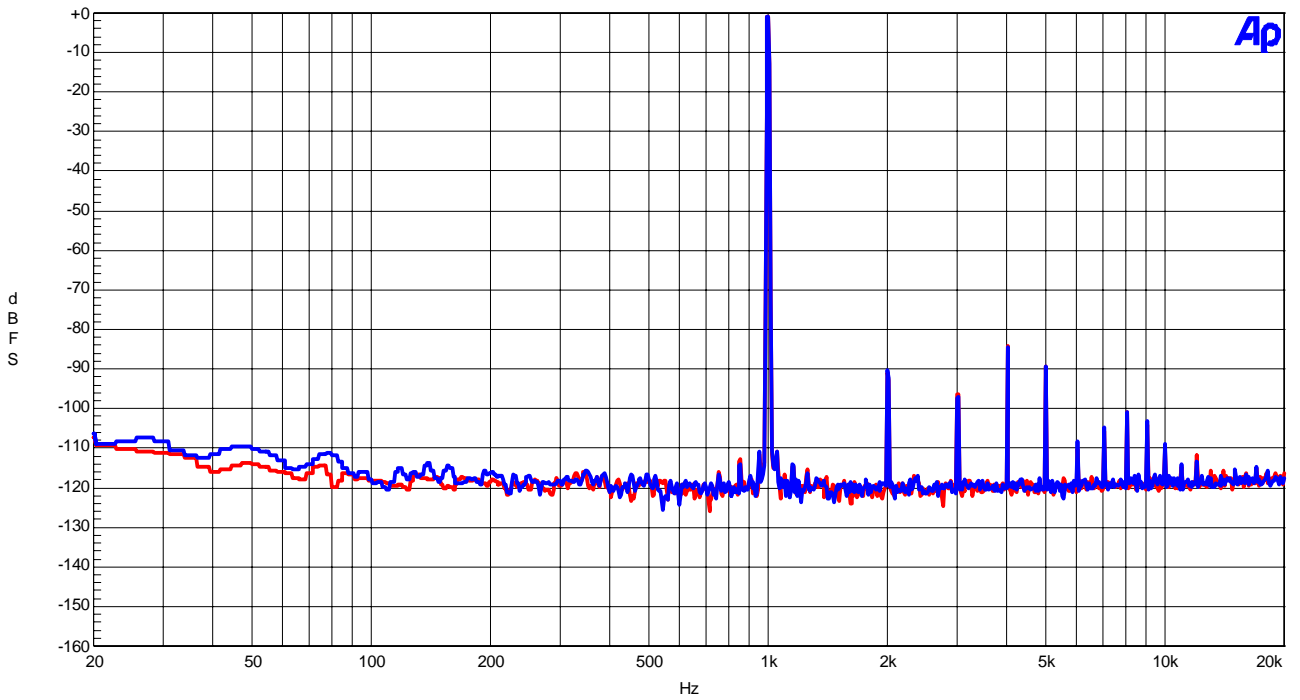


Fig.5 FFT Plot (Input Level = -0.5dB)

AKM

AK4554 ADC FFT Plot  
VDD=2.5V, fs=44.1kHz, fin=1kHz, Input Level=-60dB

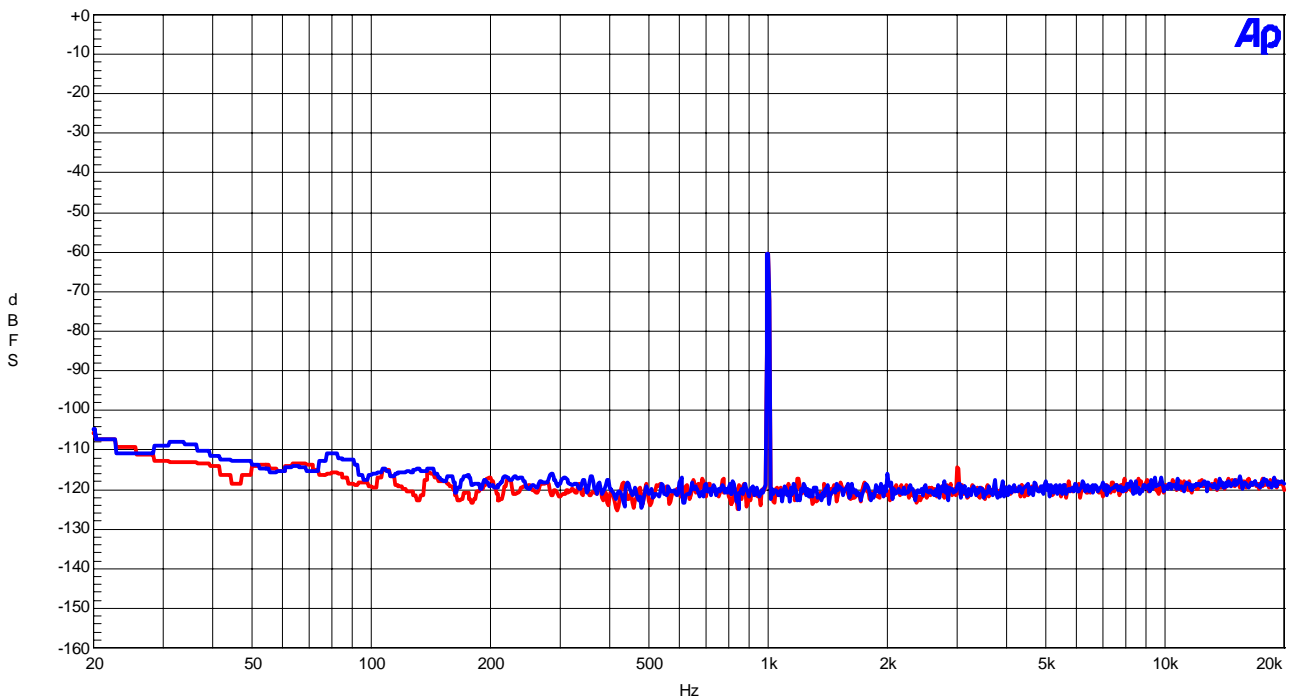


Fig.6 FFT Plot (Input Level = -60dB)

AKM

AK4554 ADC FFT  
VDD=2.5V, fs=44.1kHz, Input Level=-0.5dB

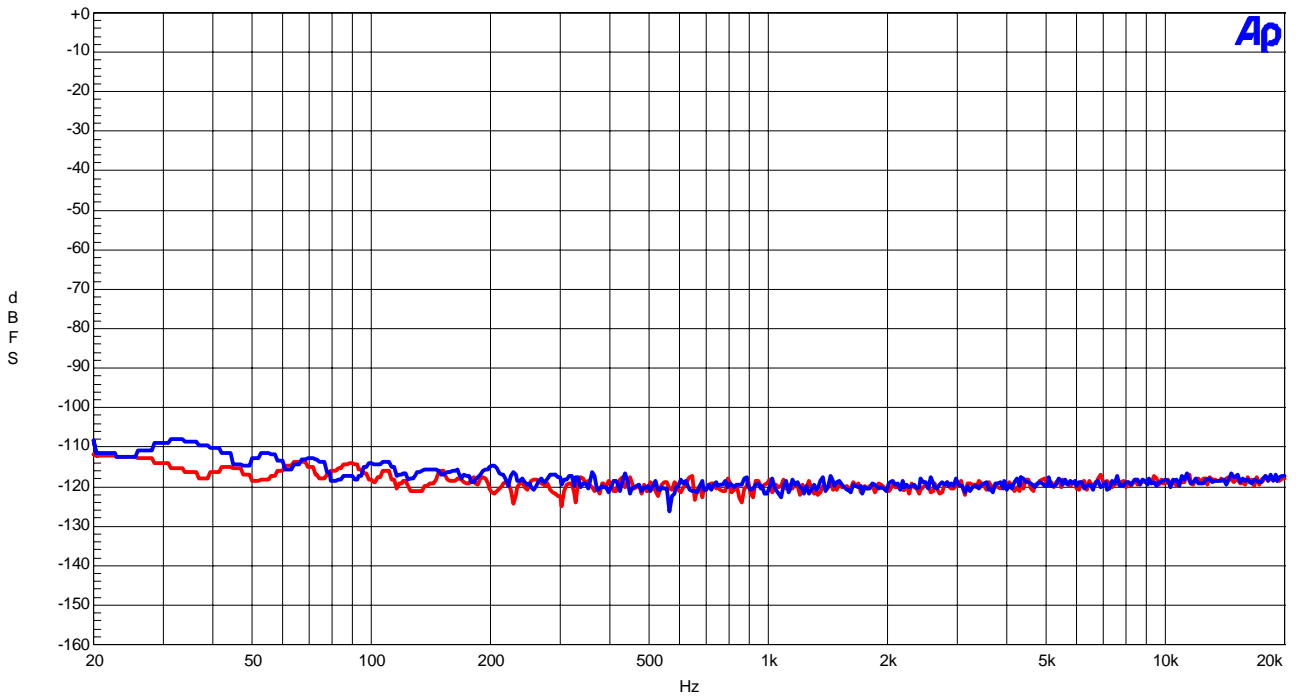


Fig.7 FFT Plot (no signal)

AKM

AK4554 ADC Crosstalk  
VDD=2.5V, fs=44.1kHz, Input=-0.5dB

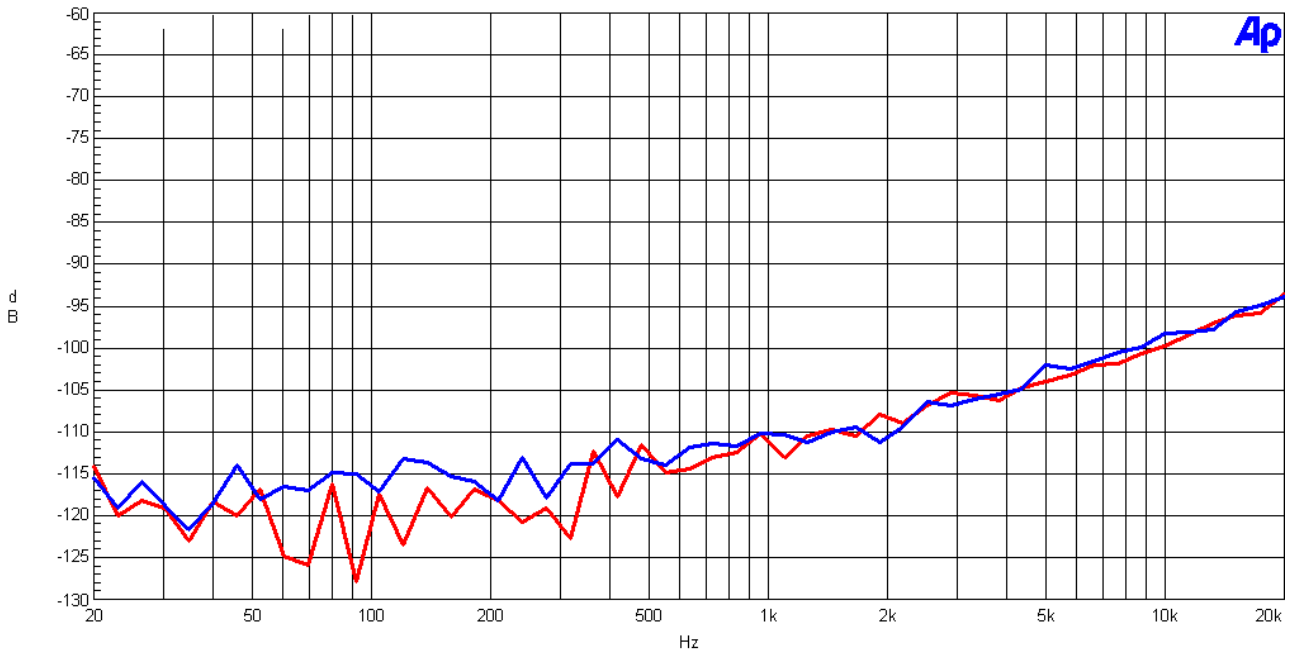


Fig.8 Crosstalk (red : L--->R, blue : R--->L)

3-2. DAC

AKM

AK4554 DAC THD+N vs. Input Level  
VDD=2.5V, fs=44.1kHz, fin=1kHz

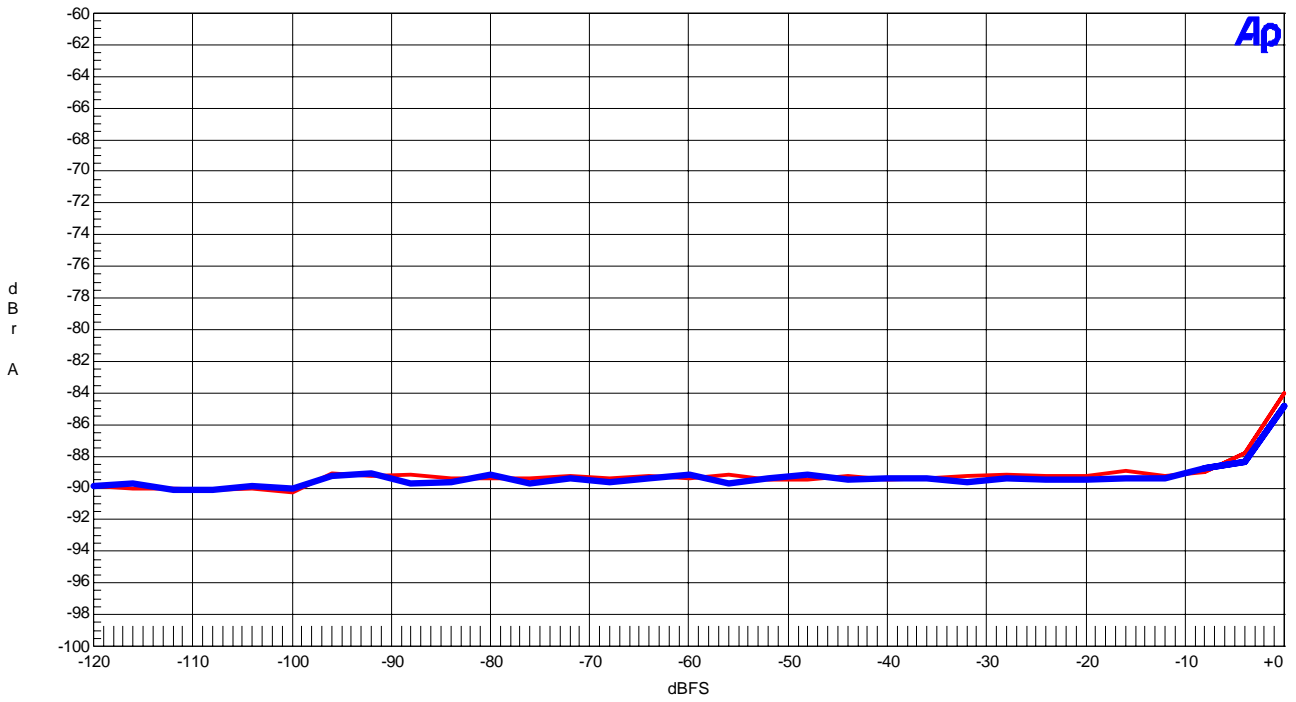


Fig.9 THD+N vs. Input Level

AKM

AK4554 DAC THD+N vs. Input Frequency  
VDD=2.5V, fs=44.1kHz, Input Level=0dB

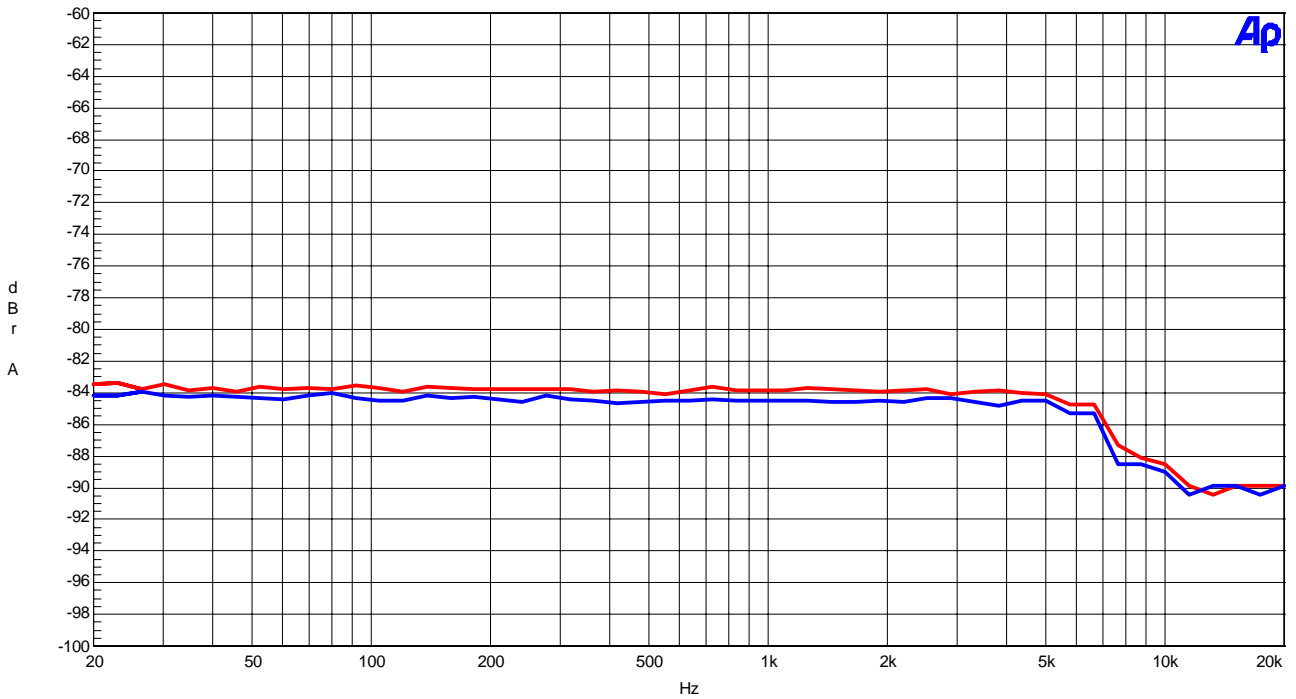


Fig.10 THD+N vs. Input Frequency

AKM

AK4554 DAC Linearity  
VDD=2.5V, fs=44.1kHz, fin=1kHz

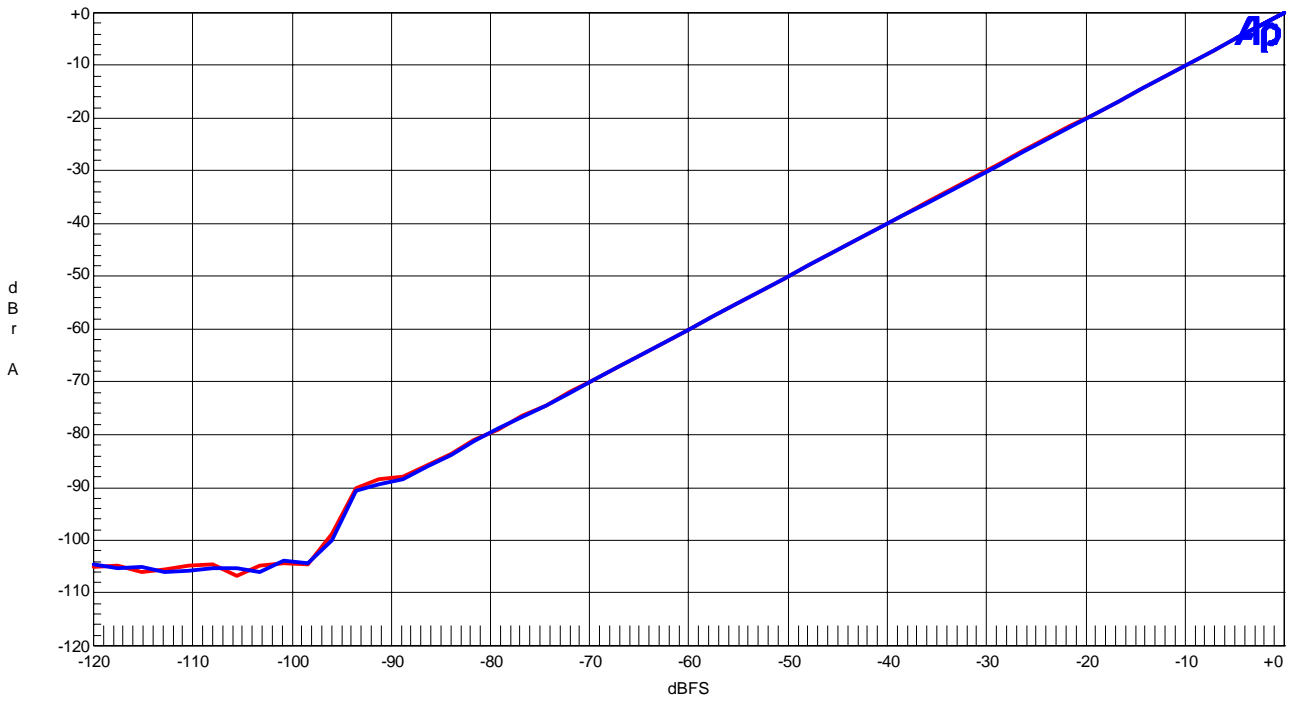


Fig.11 Linearity

AKM

AK4554 DAC Frequency Response  
VDD=2.5V, fs=44.1kHz, Input Level=0dB

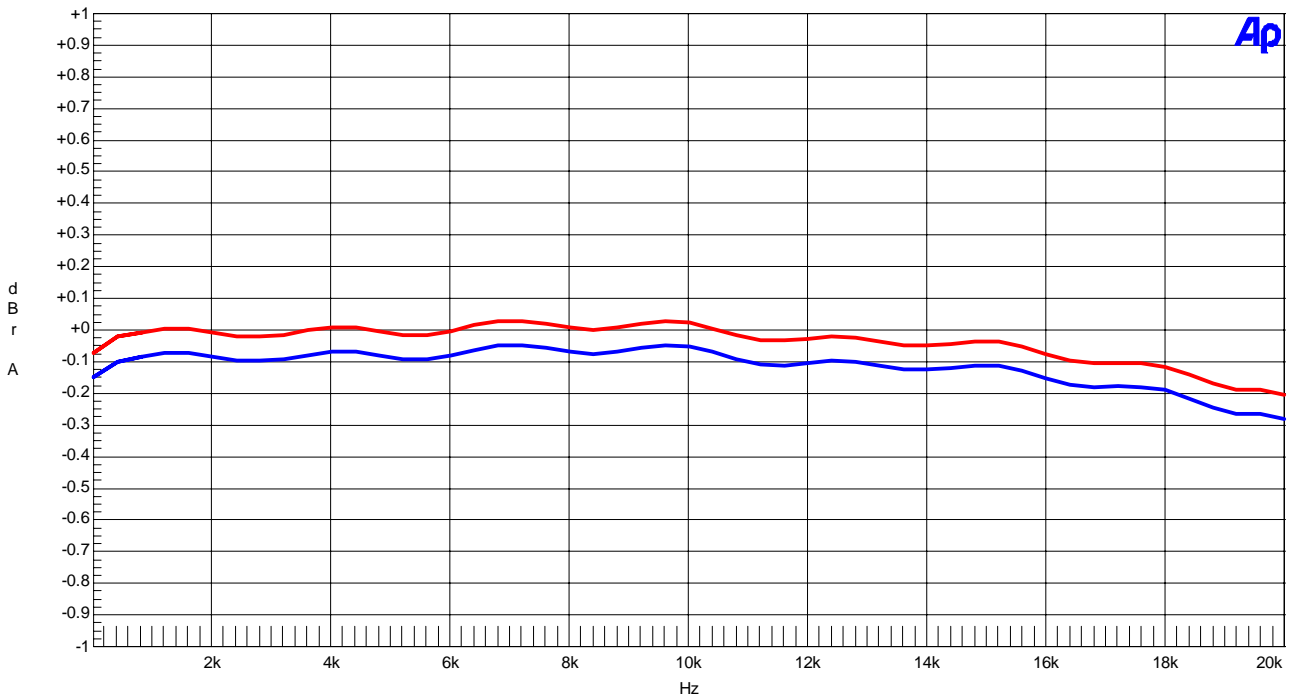


Fig.12 Frequency Response

AKM

AK4554 DAC FFT Plot  
VDD=2.5V, fs=44.1kHz, fin=1kHz, Input Level=0dB

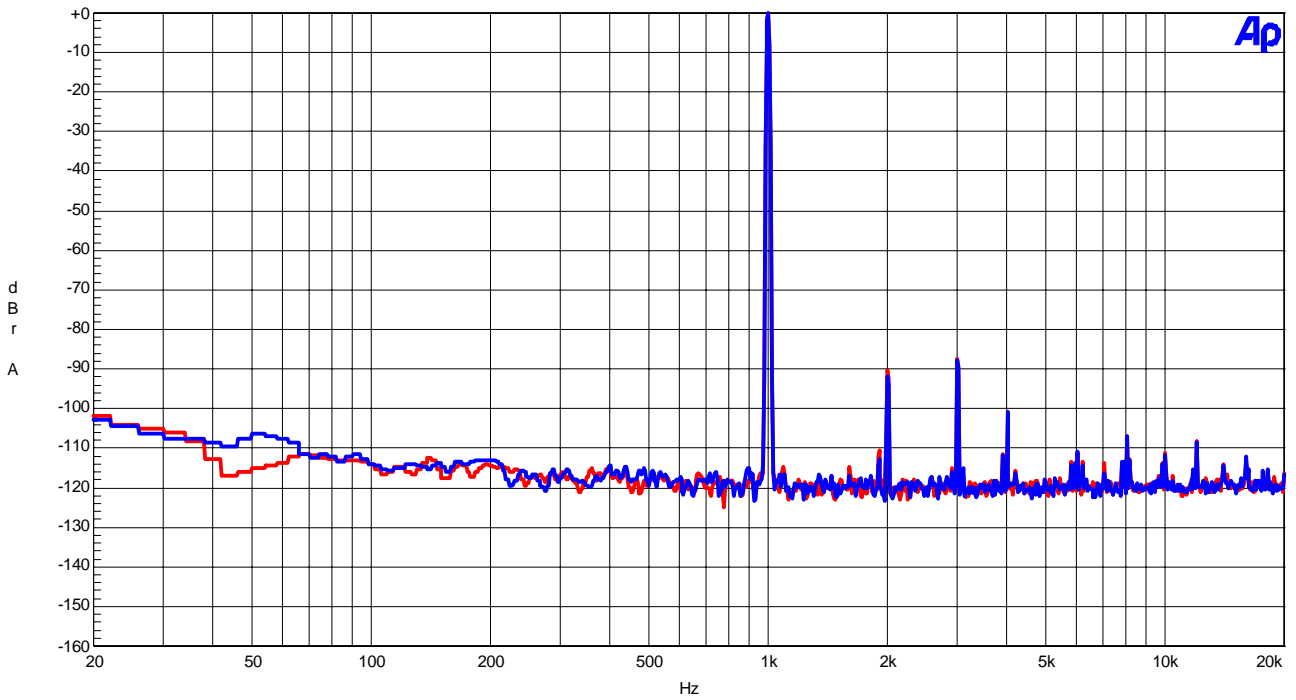


Fig.13 FFT Plot (Input Level = 0dB)

AKM

AK4554 DAC FFT Plot  
VDD=2.5V, fs=44.1kHz, fin=1kHz, Input Level=-60dB

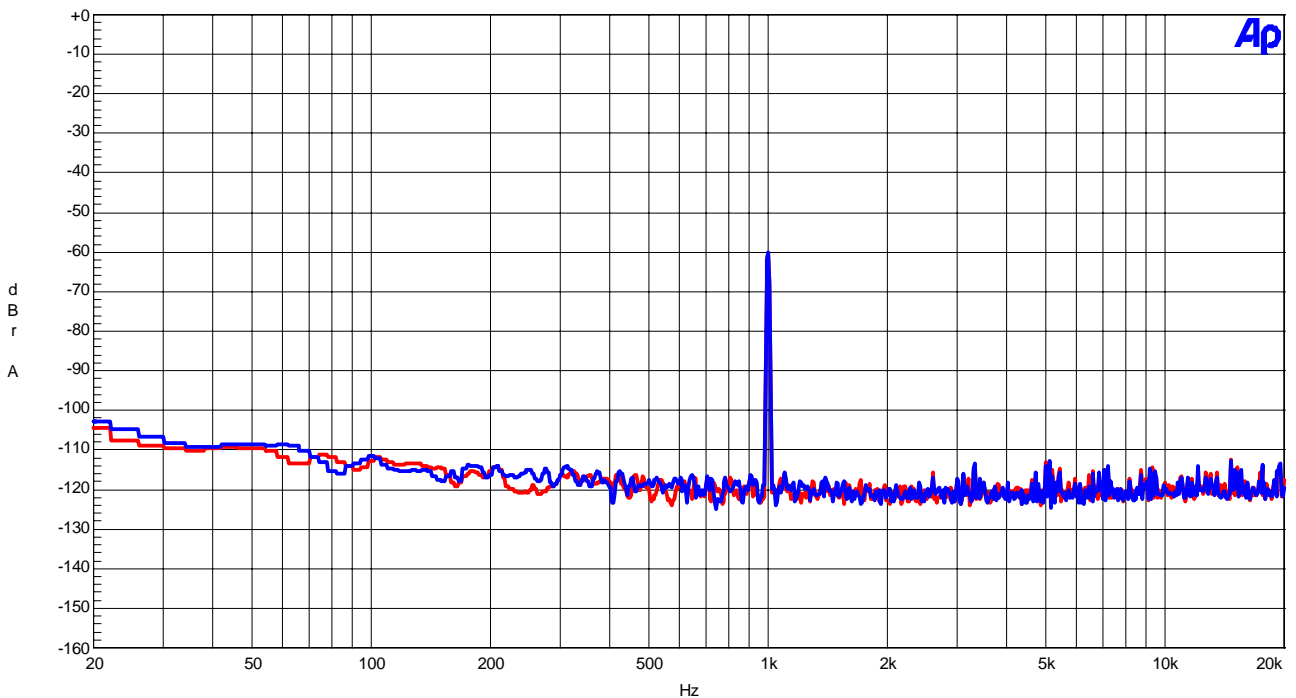


Fig.14 FFT Plot (Input Level = -60dB)



AKM

AK4554 DAC FFT  
VDD=2.5V, fs=44.1kHz, Input Level=0dB

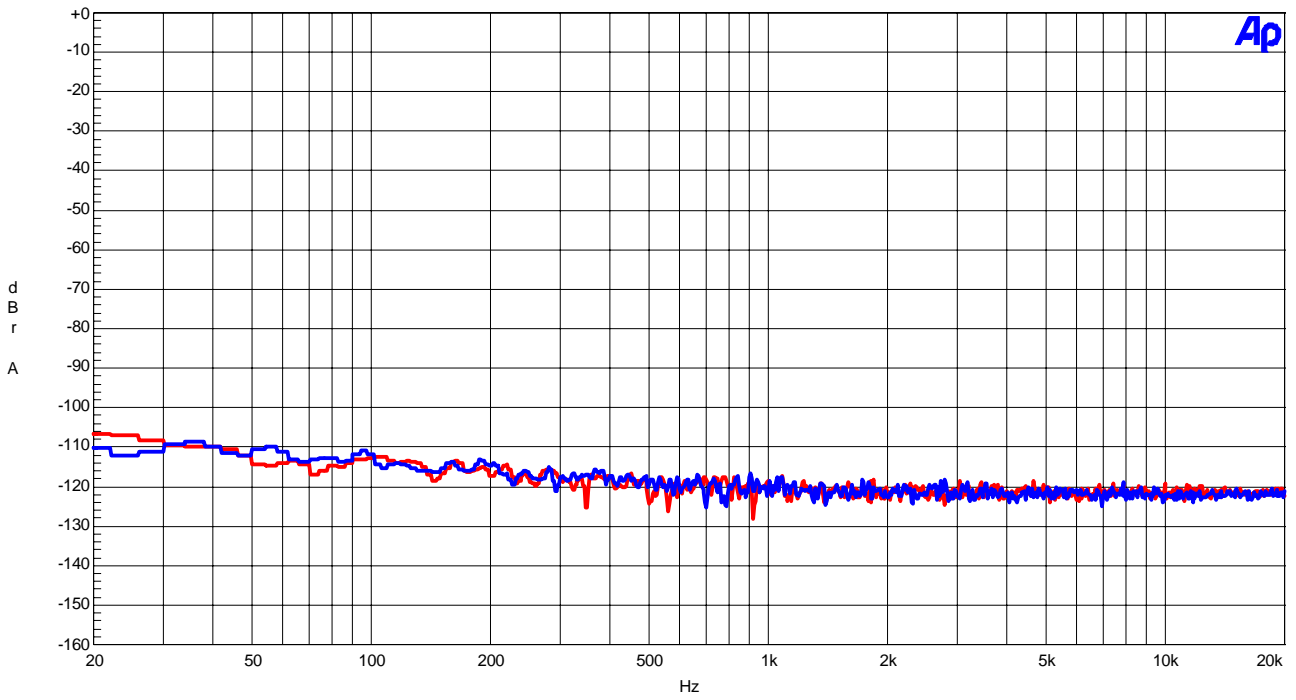


Fig.15 FFT Plot (no data)

AKM

AK4554 DAC Crosstalk  
VDD=2.5V, fs=44.1kHz, Input=0dB

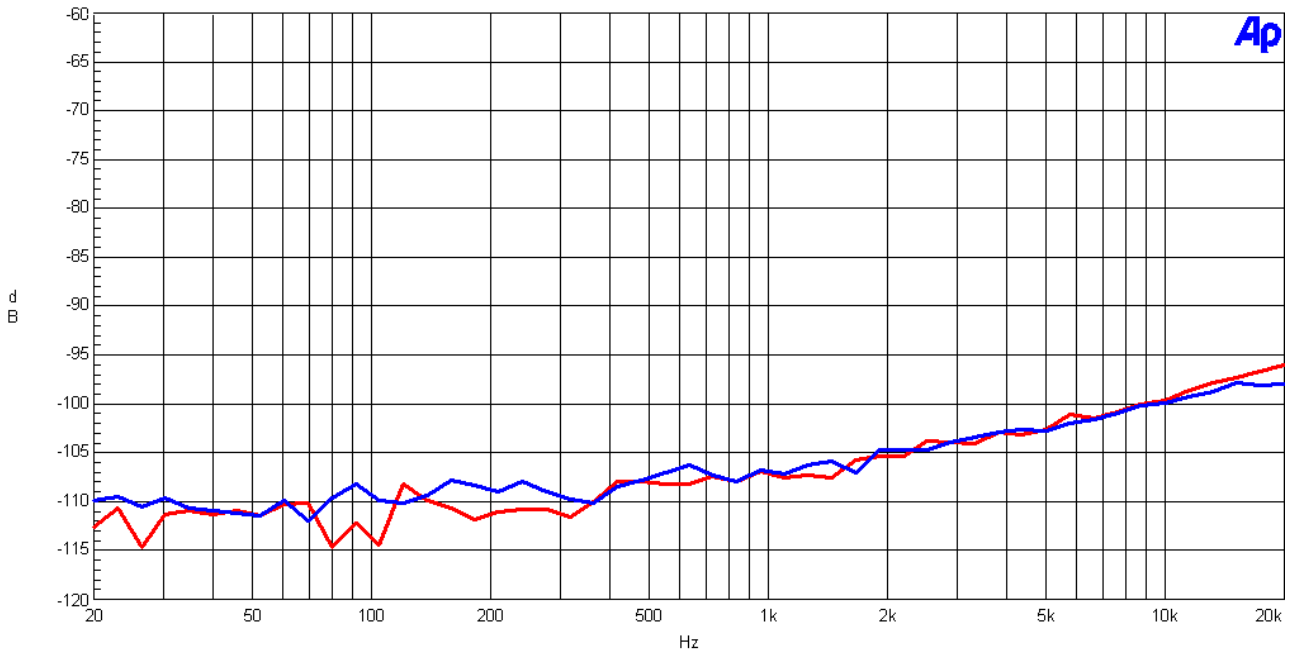


Fig.16 Crosstalk (red : L--->R, blue : R--->L)

AKM

AK4554 DAC out-band-noise  
VDD=2.5V, fs=44.1kHz, Input=no data

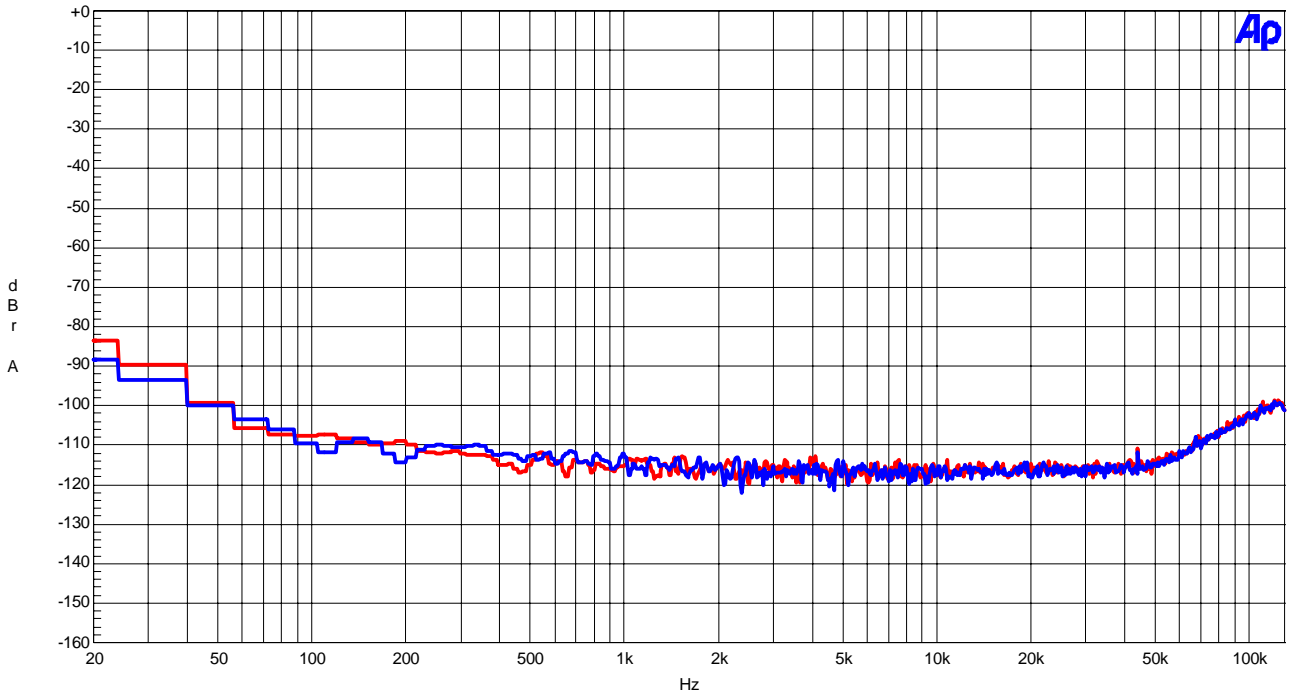


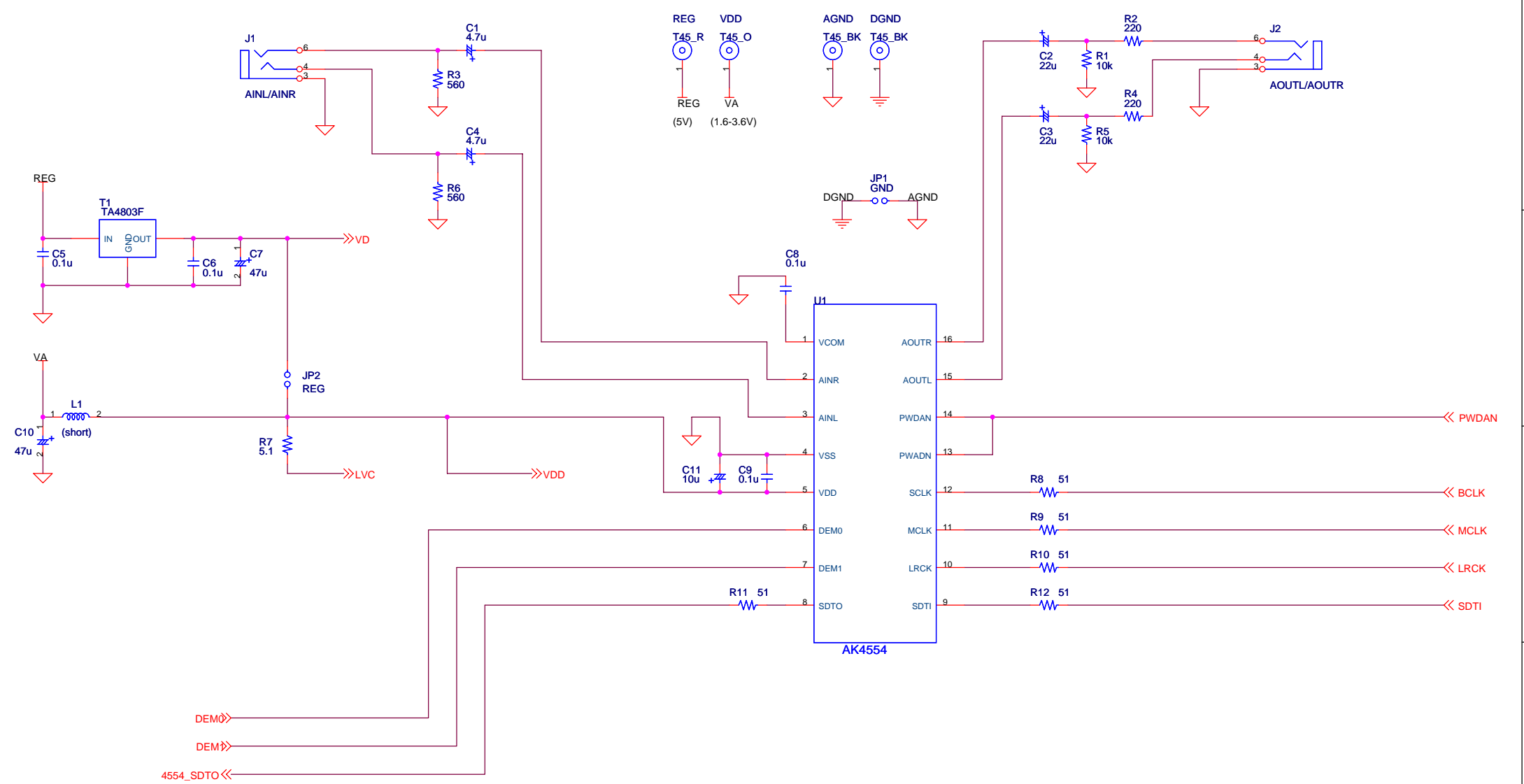
Fig.17 Out band noise

<b>Revision History</b>
-------------------------

Date (YY/MM/DD)	Manual Revision	Board Revision	Reason	Contents
05/03/31	KM077900	0	First Edition	

IMPORTANT NOTICE

- These products and their specifications are subject to change without notice. Before considering any use or application, consult the Asahi Kasei Microsystems Co., Ltd. (AKM) sales office or authorized distributor concerning their current status.
- AKM assumes no liability for infringement of any patent, intellectual property, or other right in the application or use of any information contained herein.
- Any export of these products, or devices or systems containing them, may require an export license or other official approval under the law and regulations of the country of export pertaining to customs and tariffs, currency exchange, or strategic materials.
- AKM products are neither intended nor authorized for use as critical components in any safety, life support, or other hazard related device or system, and AKM assumes no responsibility relating to any such use, except with the express written consent of the Representative Director of AKM. As used here:
  - (a) A hazard related device or system is one designed or intended for life support or maintenance of safety or for applications in medicine, aerospace, nuclear energy, or other fields, in which its failure to function or perform may reasonably be expected to result in loss of life or in significant injury or damage to person or property.
  - (b) A critical component is one whose failure to function or perform may reasonably be expected to result, whether directly or indirectly, in the loss of the safety or effectiveness of the device or system containing it, and which must therefore meet very high standards of performance and reliability.
- It is the responsibility of the buyer or distributor of an AKM product who distributes, disposes of, or otherwise places the product with a third party to notify that party in advance of the above content and conditions, and the buyer or distributor agrees to assume any and all responsibility and liability for and hold AKM harmless from any and all claims arising from the use of said product in the absence of such notification.

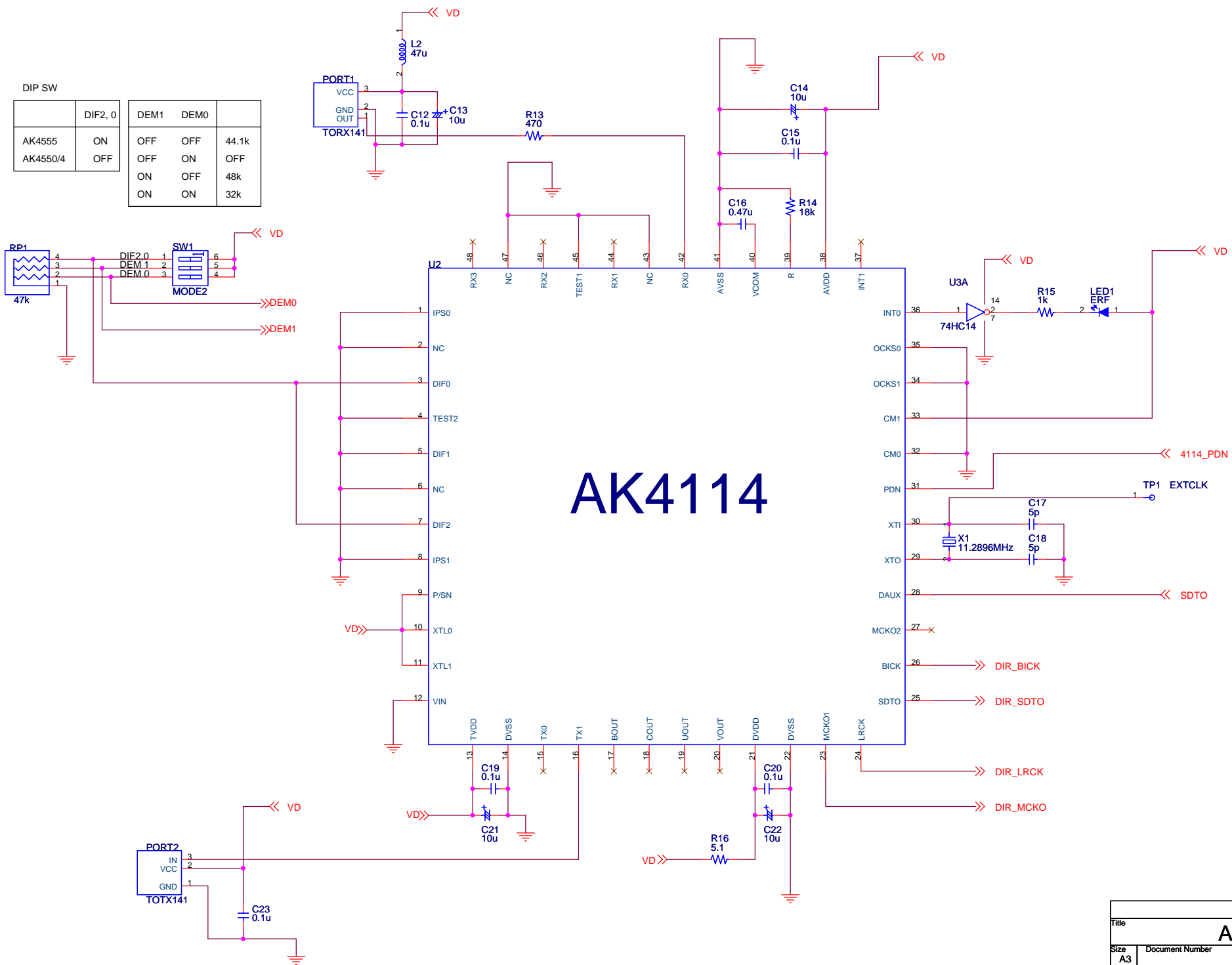


DEM0 >>  
 DEM1 >>  
 4554\_SDTO <<

Title			AKD4554-E		
Size	Document Number	AK4554			Rev
A3					0
Date:	Monday, February 28, 2005	Sheet	1	of	4

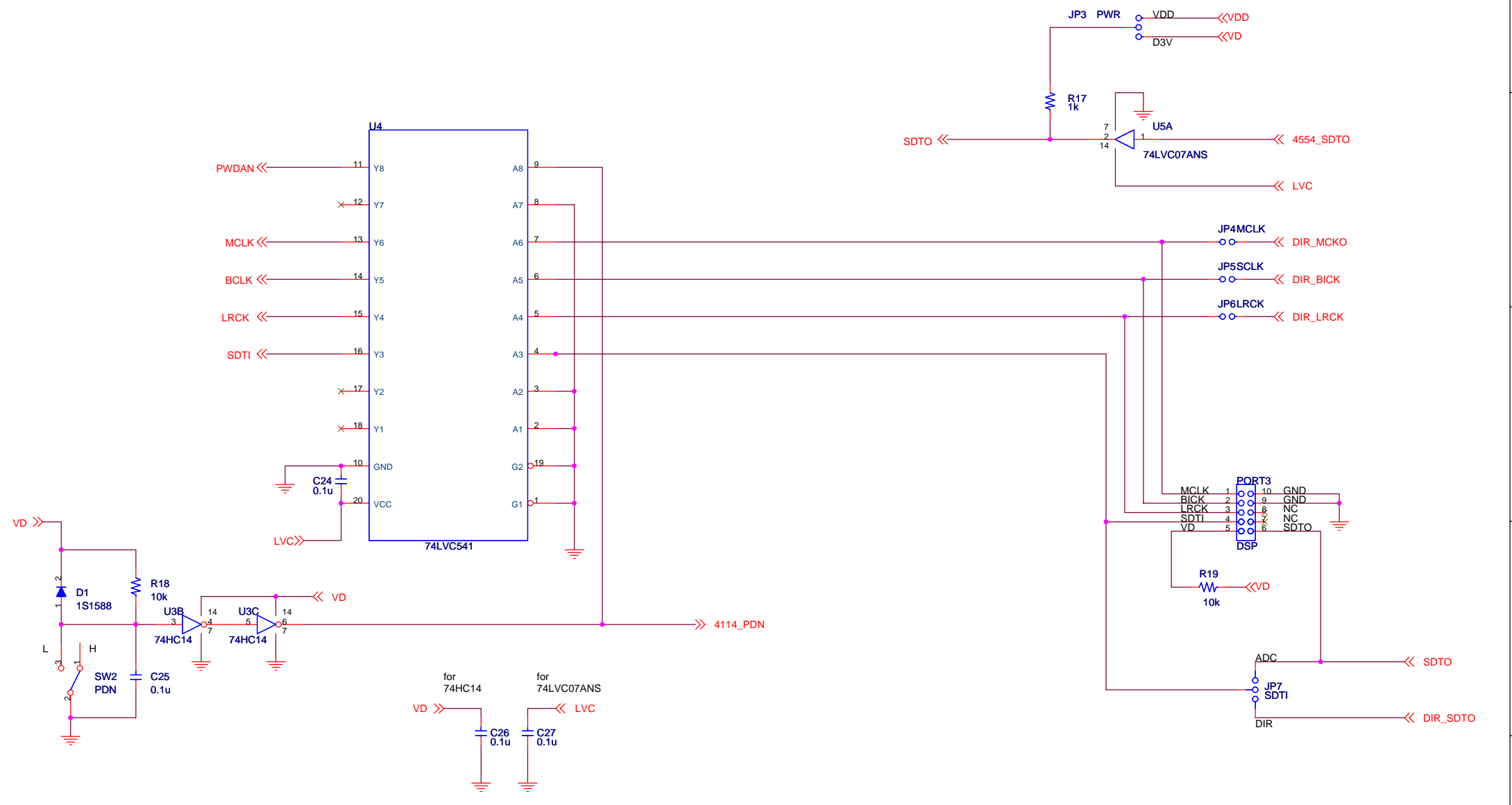
DIP SW

	DIF2, 0	DEM1	DEM0	
AK4555	ON	OFF	OFF	44.1k
AK4550/4	OFF	OFF	ON	OFF
		ON	OFF	48k
		ON	ON	32k

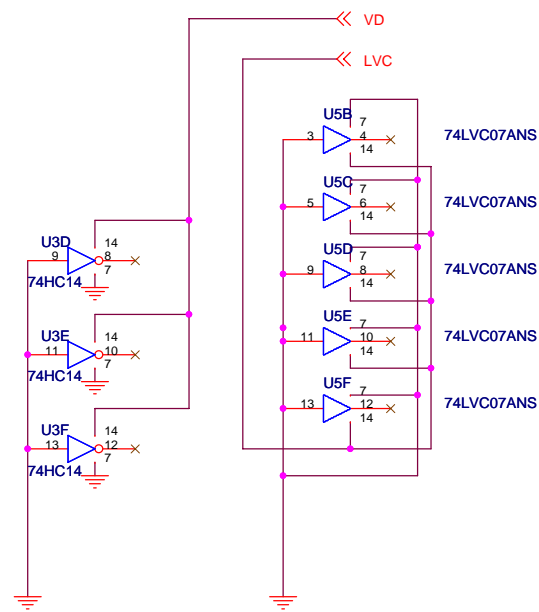


# AK4114

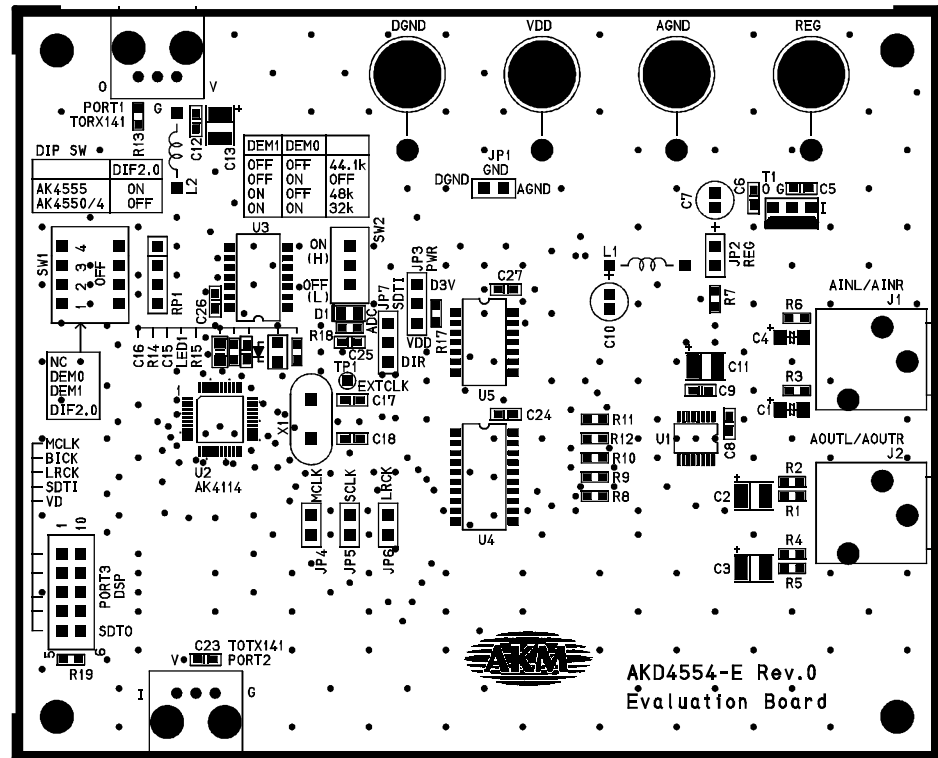
Title			AKD4554-E	
Size	Document Number	DIR/DIT		Rev
A3				0
Date:	Monday, February 07, 2005	Sheet	2	of 4



Title			
<b>AKD4554-E</b>			
Size	Document Number	Rev	
A3	LOGIC	0	
Date:	Monday, February 07, 2005	Sheet	3 of 4

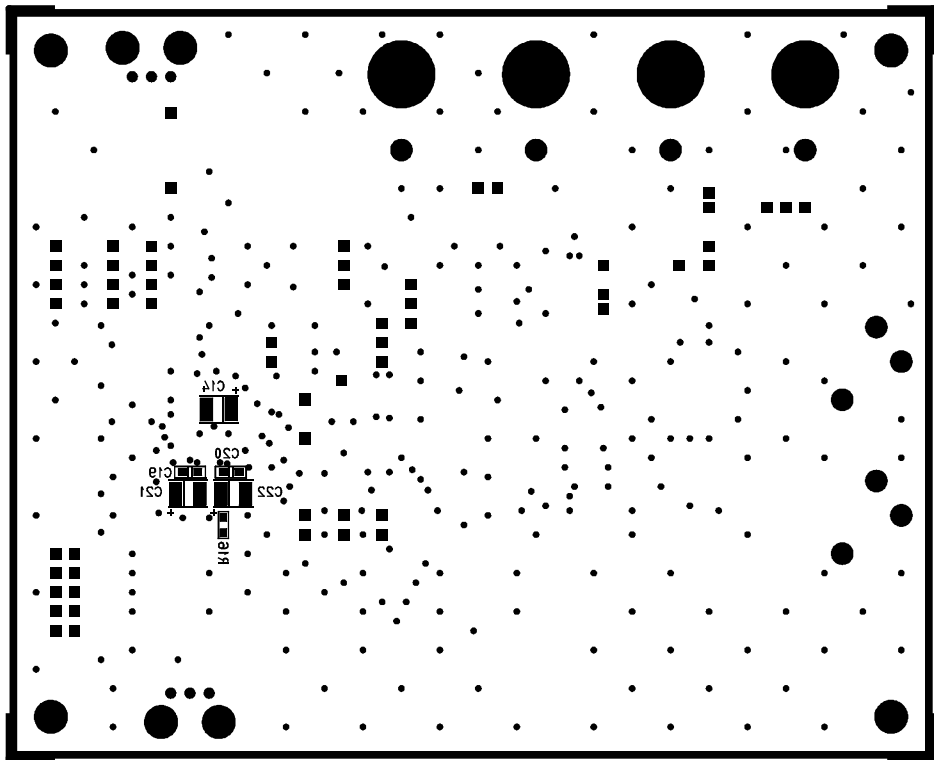


Title			AKD4554-E		
Size	Document Number	PIN			Rev
A3					0
Date: Monday, February 07, 2005		Sheet	4	of	4

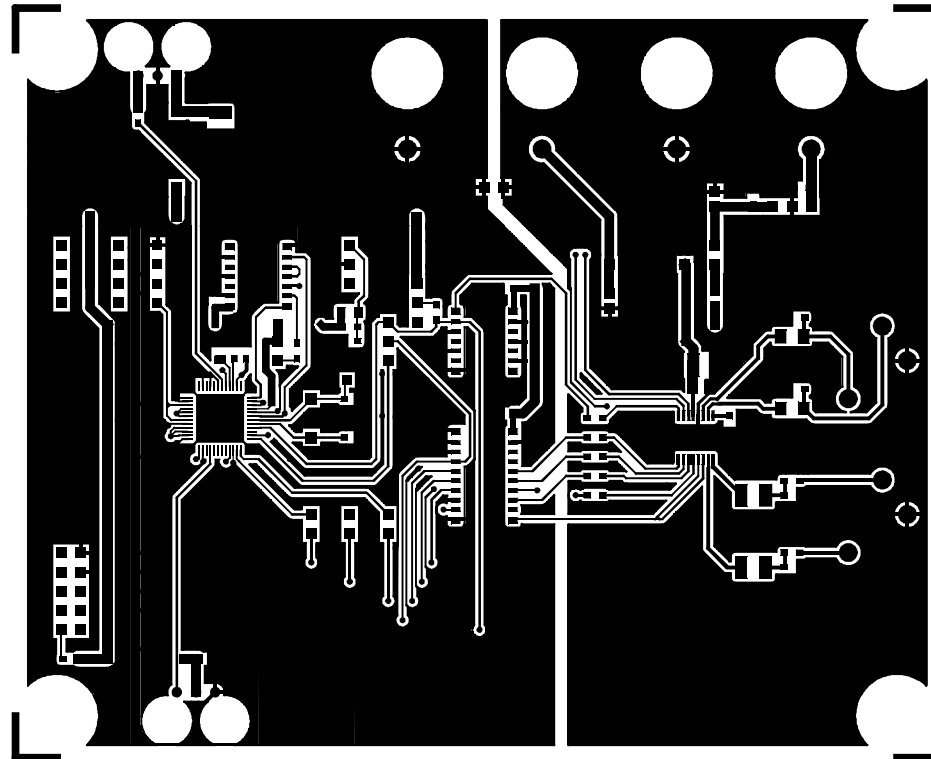


AKD4554-E L1 SILK

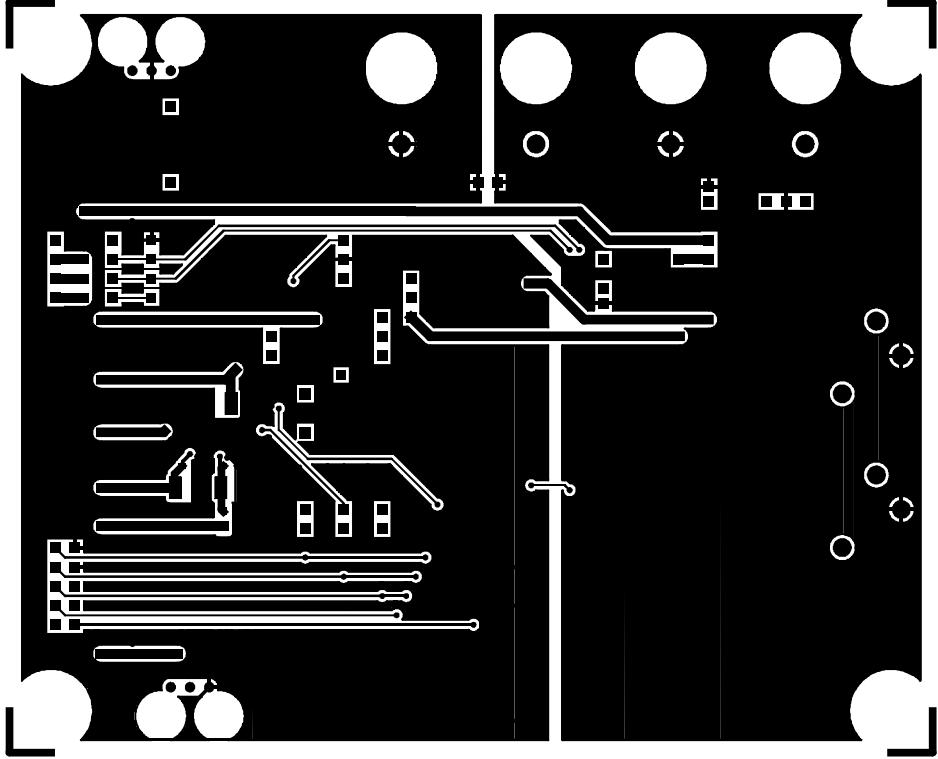




AKD4224-E L3 SILK



AKD4554-E L1



AKD4224-E L3