

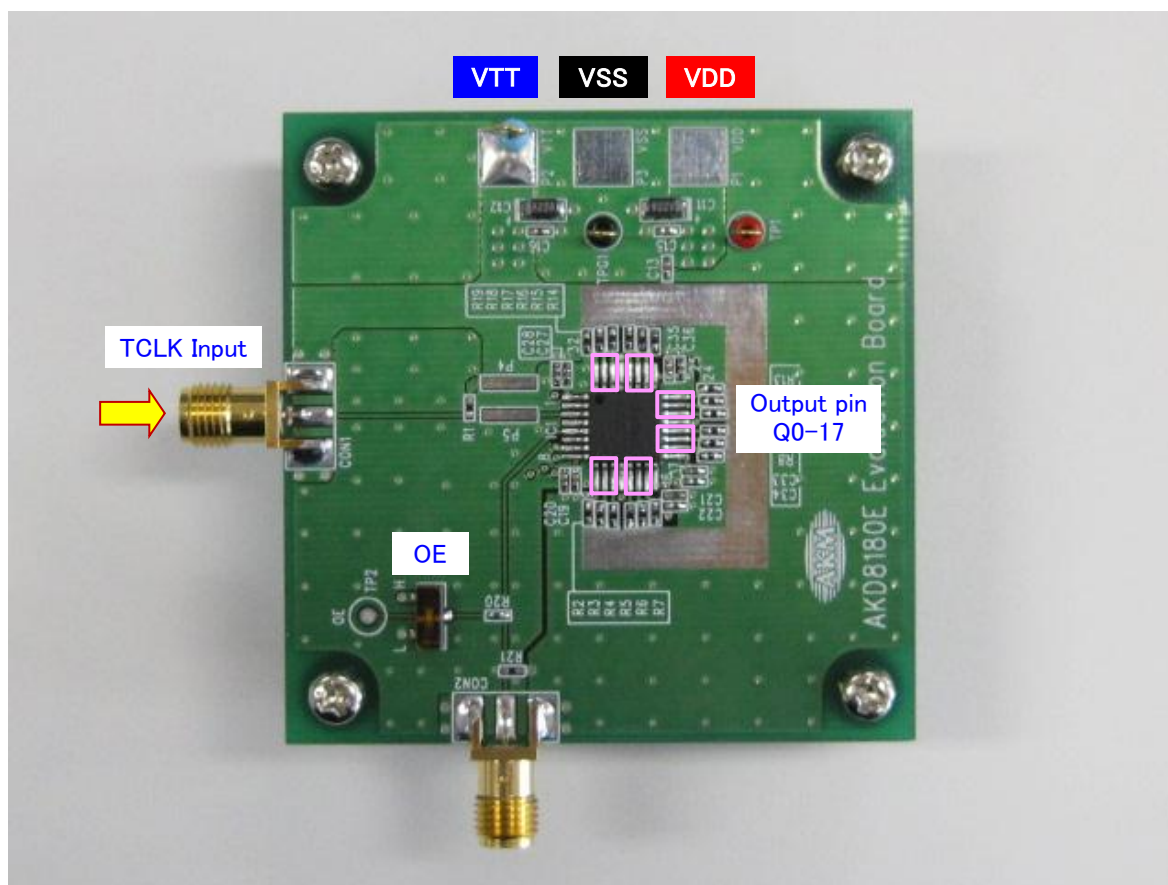


# AKD8180E

## AK8180E Evaluation Board

The AKD8180E is an evaluation board for AK8180E. Therefore, it is easy to evaluate DC/AC characteristics and confirm product functions.

- SMA terminal input
- Preparing terminal and land pattern for VDD/VSS/VTT
- Control switch for OE



### Power

There are the following three power supplies.

- VDD        The core power supply of AK8180E (+1.25V or +1.65V)
- VSS        The core power supply of AK8180E (-1.25V or -1.65V)
- VTT        Power supply for the end of the output load resistor (GND)

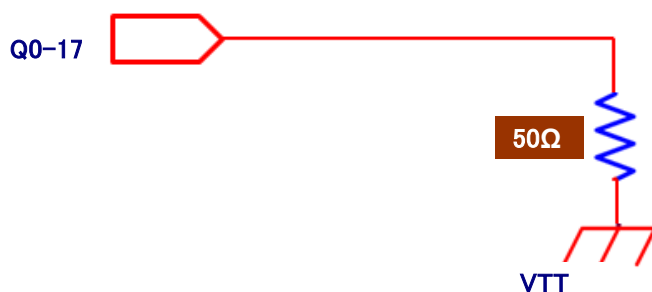
Note) GND of the SMA terminal is connected to the VTT.

### Clcock Input

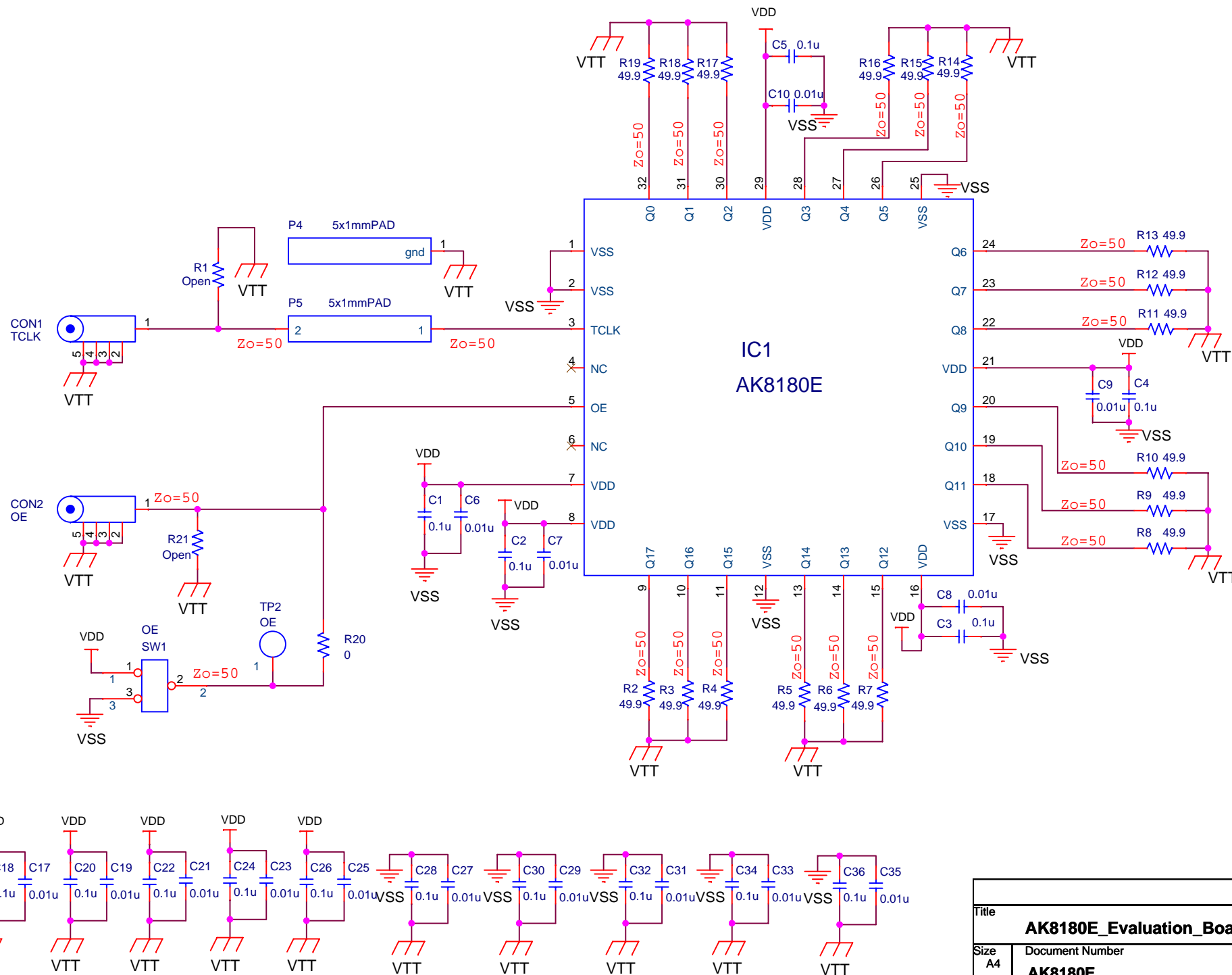
The clock input signal can terminate at 50Ω if needed. (50Ω is connected to R1 pattern)  
Inputs 200MHz or less.

### Output load circuit

Each output line is terminated to VTT with 50Ω.

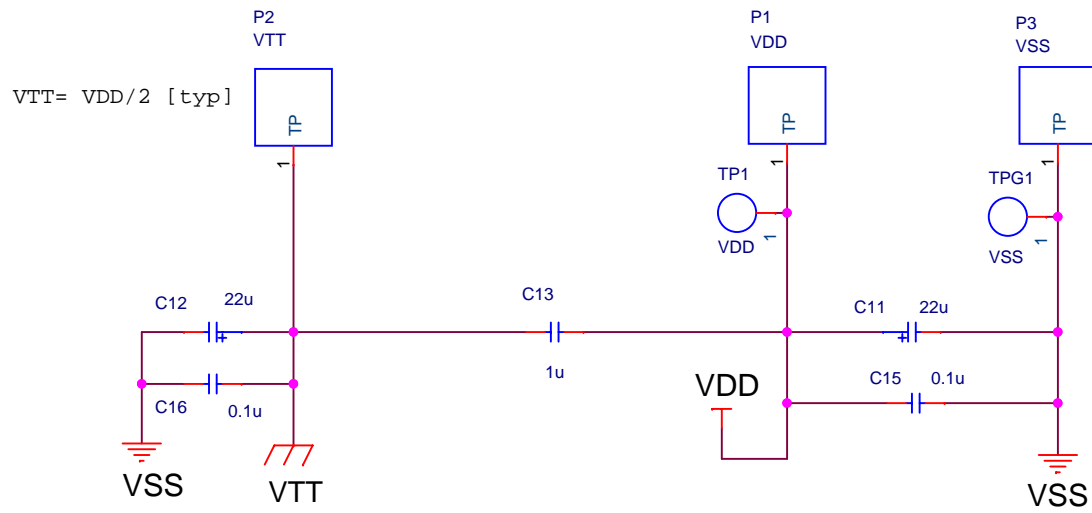


# AK8180E\_Evalutaion\_Board.



Title		
<b>AK8180E_Evaluation_Board.</b>		
Size	Document Number	Rev
A4	<b>AK8180E</b>	3
Date:	Tuesday, February 05, 2013	Sheet 1 of 2

AK8180E\_Evaluation\_Board.



Title		
AK8180E_Evaluation_Board.		
Size	Document Number	Rev
A4	Power	3
Date:	Tuesday, February 05, 2013	Sheet 2 of 2