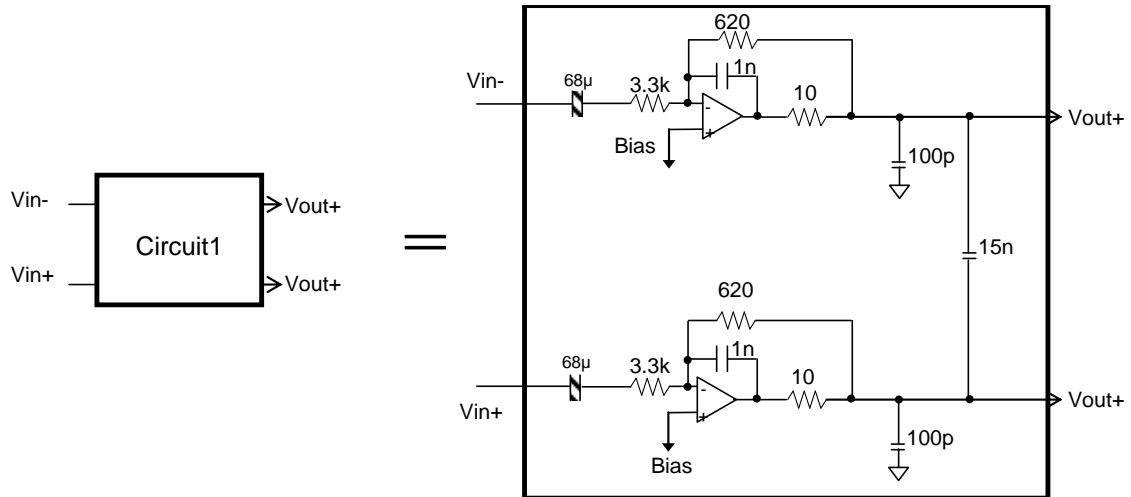


# AK5574 analog input circuit example

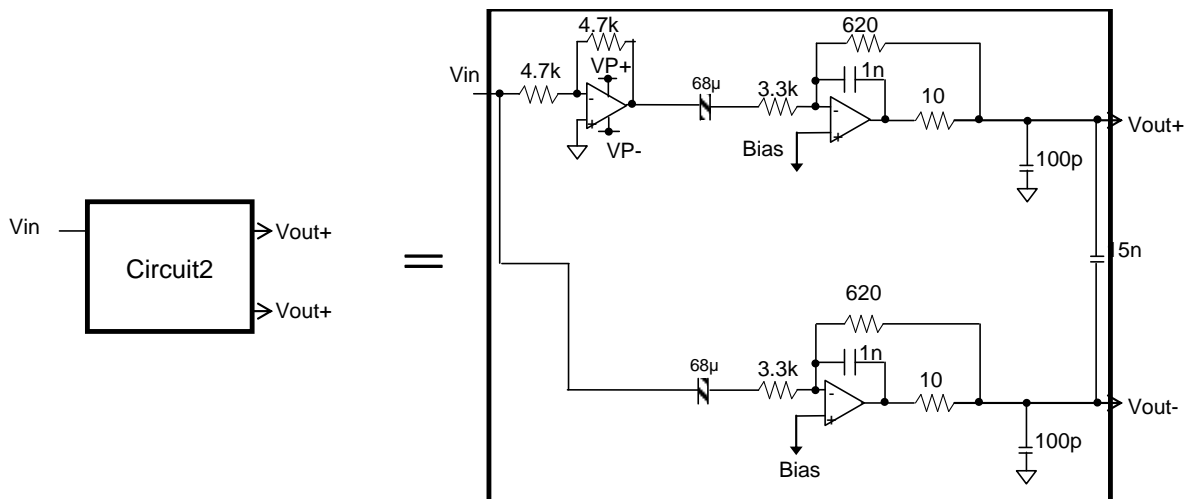
2016/8/22

旭化成エレクトロニクス  
シリコンソリューション事業部

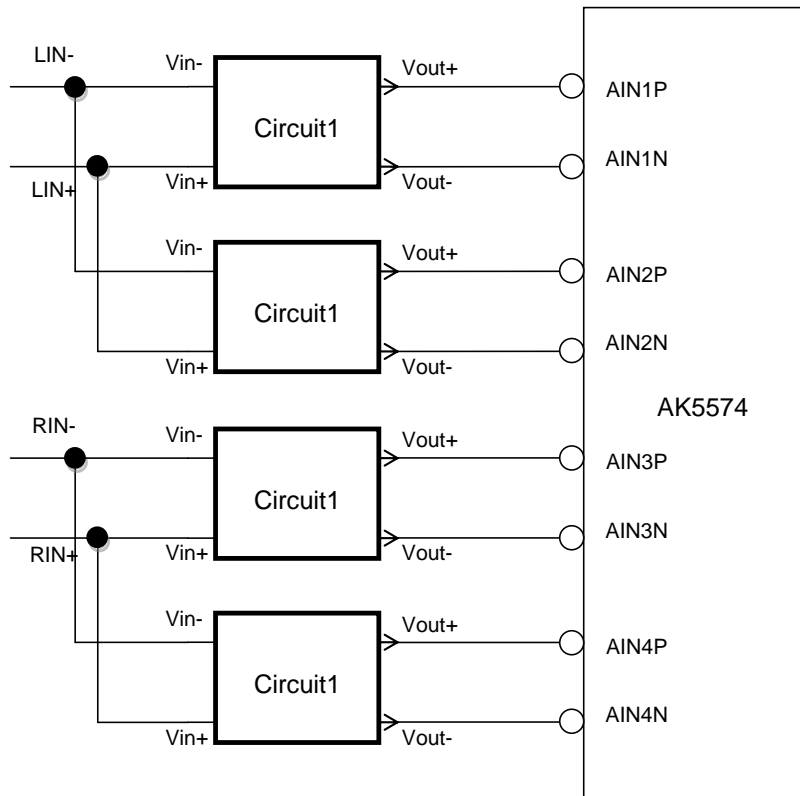
## Circuit 1) Analog circuit for differential input



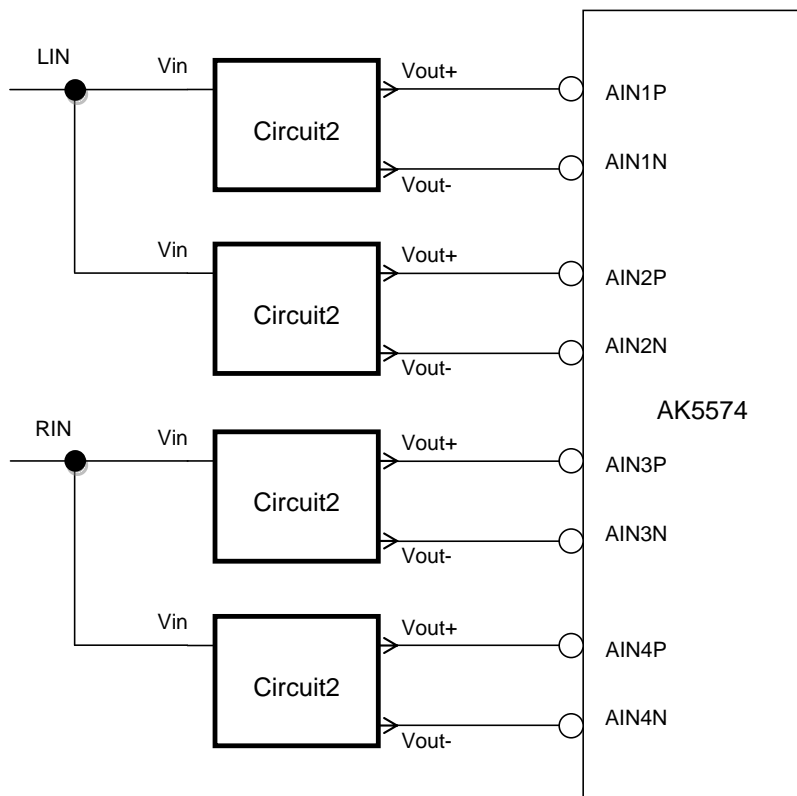
## Circuit 2) Analog circuit for single-ended input



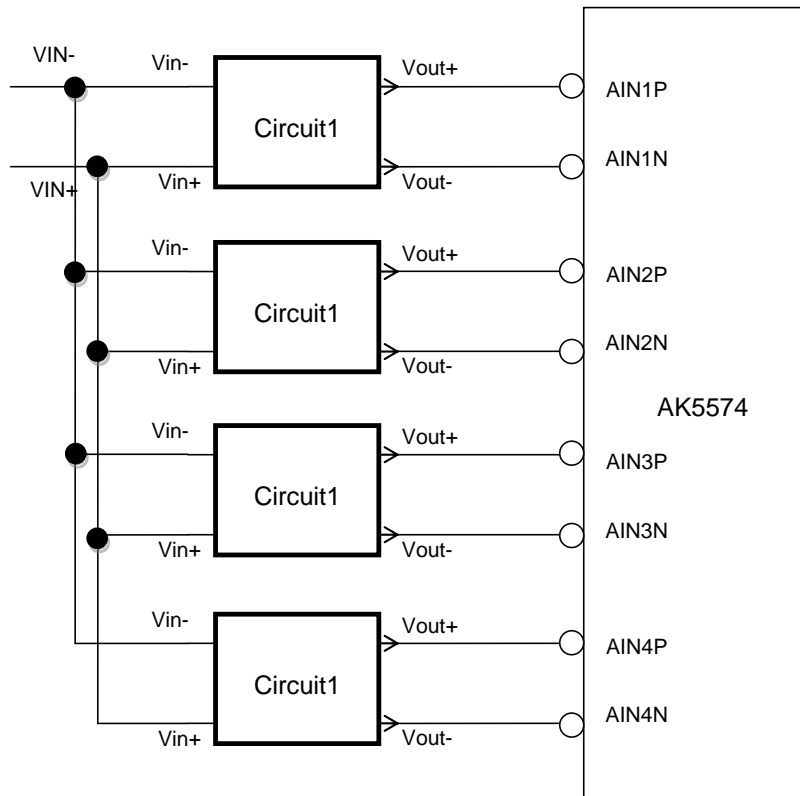
2ch summation mode for differential input



2ch summation mode for Single-ended input



### 4ch summation mode for differential input



### 4ch summation mode for Single-ended input

