



AK7864A

3 channel LED driver with Charge Pump

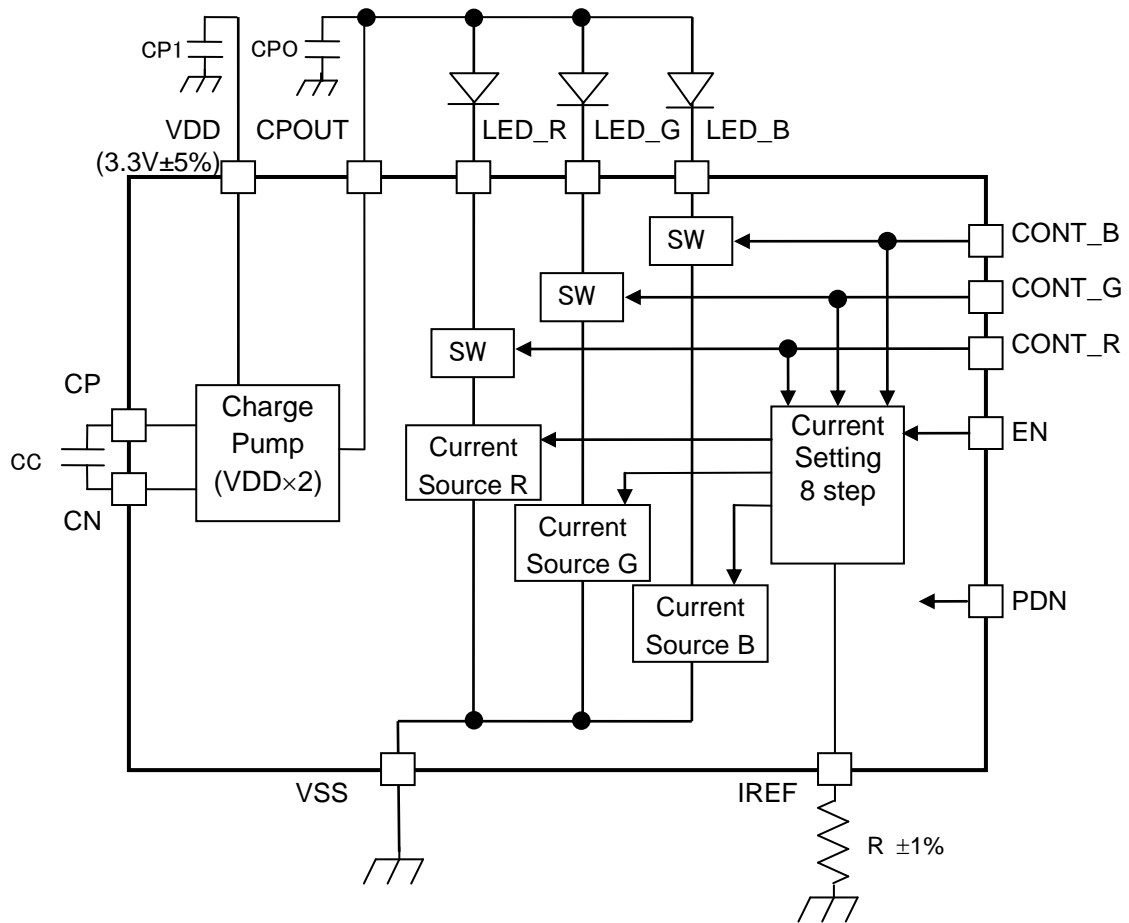
Device Outline

This product includes the charge pump power supply and the 3 channel LED driver who drives the LED of the anode common in the constant current. The current to pass for each channel can be adjusted by the external resistance and the register setting. Also, it has the control pins which turn on or off the current. It is the suitable for the LED drive for the CIS sensor.

Features

- | | |
|---|---|
| <ul style="list-style-type: none"> ■ Operating Voltage ■ Operating Temperature Range ■ LED Driver Current | <p>3.3V±5%</p> <p>0 ~ 70 °C</p> <p>RED: 66mA</p> <p>GREEN: 66mA</p> <p>BLUE: 66mA</p> <p>The LED current is adjustable from 22mA to 66mA by the external resistor. In addition, the LED current can be reduced to 100%~12.5% by the register.</p> <p>Allowable maximum Vf of the LED is 4.8V. The 1/16 watt type is usable to external resistor.</p> <ul style="list-style-type: none"> ● 3 channel independently ON/OFF
(50% setting is an upper bound when 3ch becoming turning on at the same time) ● Current setting in eight steps <p>When the external resistance value becomes the assumption outside, a internal protection circuit restricts the LED current equal to or less than 150mA (-30%~+45%)</p> |
| <ul style="list-style-type: none"> ■ Current Accuracy ■ LED Current Rise / Fall time ■ Charge Pump Preprocessor Circuit ■ Package | <p>±9.1% (by ideal resistance)</p> <p>10μs (typ.) (10% ~ 90%)</p> <p>Generate the necessary voltage for the LED (Vf max 4.8V)</p> <p>16pin QFN 3mm×3mm, 0.75mm thickness with radiation TAB in solderside</p> |
| <ul style="list-style-type: none"> ■ Power Supply ■ Application | <p>VDD 3.135 ~ 3.465V</p> <p>A light source driver for CIS module of MFP</p> |

Block Diagram



Circuit Block Description

□ Charge Pump Circuit

A necessary voltage for LED (V_f 4.8V or less) lighting is generated from the voltage supplied to VDD pin. Please supply the generated voltage from CPOUT pin to external LED.

□ LED Driver Part

This product has 3 channel LED driver to drive RGB constant current. Use the ON/ OFF digital terminal to control the constant current.

The current setting can be set to 8 levels (100%/87.5%/75%/62.5%/50%/37.5%/25%/12.5%) with CONT_R/G/B and EN combination. The current of 3 channels are same.

It is possible to light 1ch or 3ch simultaneously. Please set the LED current less than 50% by 3ch simultaneously.

Functional Description

 Power Down

Set PDN to Low at VDD power on, AK7864A will be in power down state.

In power down state, the current inside AK7864A will be stopped, LED_R/G/B will be High-Z and CPOUT will be Low.

 Circuit reset

PDN is also carrying out the reset of an internal counter, please start supplying VDD to AK7864A by PDN=Low.

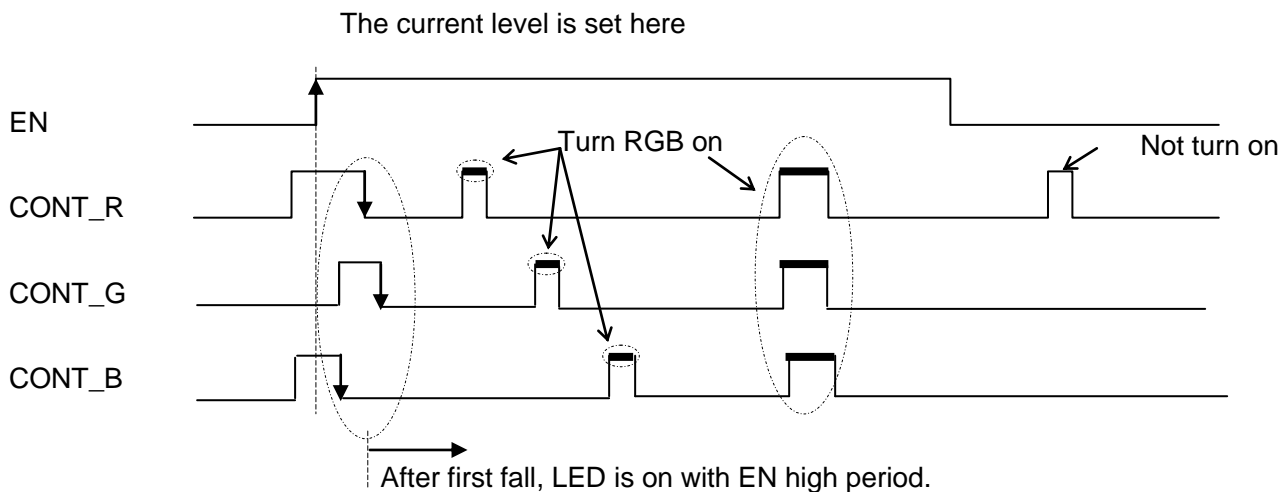
The period of soft start of charge pump is decided at the internal counter.

When soft start does not operate correctly, at the time of starting, incoming current will be large and the device may break.

□ **Current setting method**

The method of setting the LED current is as follows.

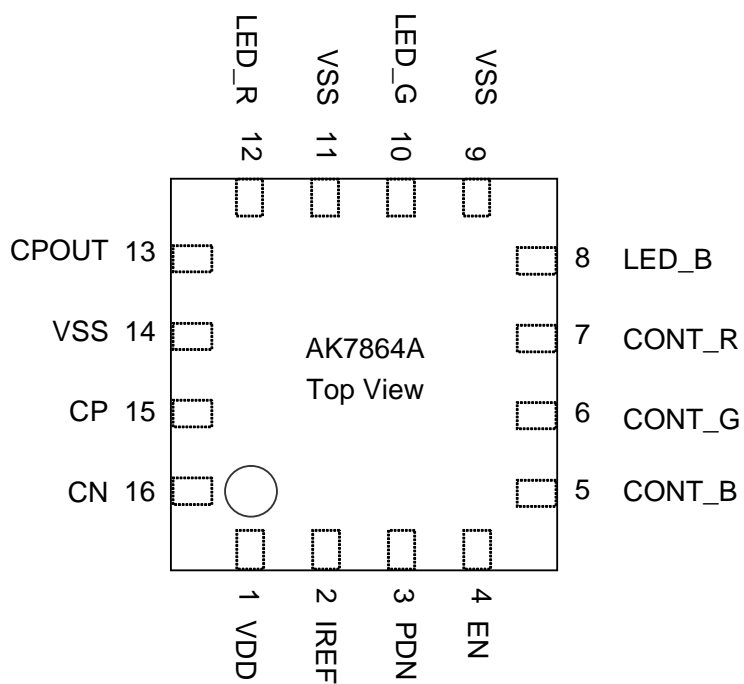
Latch the logic level of CONT_R, CONT_G, CONT_B at the EN rise. This logic pattern decides the current level. After the falling edge of the CONT_R, CONT_G, CONT_B, the LED current interlocks with CONT_R, CONT_G, CONT_B's on or off.



The relation between the CONT_R, CONT_G, CONT_B pattern and the current level follows.

CONT_R	CONT_G	CONT_B	Current setting
0	0	0	100%
0	0	1	87.5%
0	1	0	75%
0	1	1	62.5%
1	0	0	50%
1	0	1	37.5%
1	1	0	25%
1	1	1	12.5%

Pin Allocation



Pin Functions

No.	Name	IO	Description
1	VDD	P	Power supply
2	IREF	O	LED current setting external resistor connecting pin (Pulled down by external resistor at power down)
3	PDN	I	Power down mode terminal High: power up, Low: power down
4	EN	I	LED current enable terminal High: enable, Low: disable
5	CONT_B	I	LED current control input for LED_B High: ON, Low: OFF
6	CONT_G	I	LED current control input for LED_G High: ON, Low: OFF
7	CONT_R	I	LED current control input for LED_R High: ON, Low: OFF
8	LED_B	O	LED current output pin B (High-Z at Power down)
9	VSS	P	GND
10	LED_G	O	LED current output pin G (High-Z at Power down)
11	VSS	P	GND
12	LED_R	O	LED current output pin R (High-Z at Power down)
13	CPOUT	O	Charge pump output pin (Pulled down by internal resistor at power down)
14	VSS	P	GND
15	CP	I	External capacitor connecting pin for charge pump (Pulled down by internal resistor at power down)
16	CN	I	External capacitor connecting pin for charge pump (Pulled down by internal resistor at power down)
radiation pad			Connect to GND.

I: Input, O: Output, P: Power supply

Absolute Maximum Ratings

Voltages are referenced to corresponding ground level. VSS=0V

Item	Symbol	Min.	Max.	Unit	Remarks
Power supply	VDD	-0.3	4.0	V	
Input Voltage	VINA	-0.3	VDD+0.3	V	
Storage temperature	Tstg	-65	150	°C	

Operation under a condition exceeding above limits may cause permanent damage to the device. Normal operation is not guaranteed under the above extreme conditions.

Recommended Operating Conditions

Voltages are referenced to corresponding ground level. VSS=0V

Item	Symbol	Min.	Typ.	Max.	Unit	Remarks
Power supply	VDD	3.135	3.3	3.465	V	
Storage temperature	Ta	0		70	°C	

Electrical Characteristics

1. Digital input DC characteristics

(VDD=3.135~3.465V, Ta=0~70°C unless otherwise specified)

Item	Symbol	Pin	Min.	Typ.	Max.	Unit	Remarks
H level input voltage	VIH	Note1	0.7× VDD			V	
L level input voltage	VIL	Note1			0.3× VDD	V	
Input leakage current	IL	Note1	-2		2	μA	

(Note 1)PDN, EN, CONT_R, CONT_G, CONT_B

2. Charge pump block analog characteristics

(VDD=3.135~3.465V, Ta=0~70°C unless otherwise specified)

Item	Min.	Typ.	Max.	Unit	Remarks
CPOUT Voltage	6.27	6.6	6.93	V	@LED current disable
CPOUT Rise time			1	ms	
CPOUT Fall time			20	ms	
Current Consumption		4.0		mA	

3. LED driver block analog characteristics

(VDD=3.135~3.465V, Ta=0~70°C unless otherwise specified)

Item	Min.	Typ.	Max.	Unit	Remarks
LED drive current range	22		66	mA	(note 1)
The LED protection circuit activation current	105	150	217.5	mA	
LED current (R/G/B)	60	66	72	mA	IREF resistor =4.7kΩ±1% LED pin voltage=2×VDD-3.1V
LED current accuracy (R/G/B)					LED pin voltage=2×VDD-3.1V CONT_R/G/B
		100		%	000
	86.0	87.5	89.0	%	001
	73.5	75	76.5	%	010
	60.5	62.5	64.5	%	011
	48	50	52	%	100
	35.5	37.5	39.5	%	101
	23	25	27	%	110
	10.5	12.5	14.5	%	111
LED current LED Vf dependency	-2.5		2.5	%	Refer to LED pin voltage=(2×VDD-3.1)V
LED Vf	1.1		4.8	V	(note 2)
Current Consumption		1.1		mA	Except LED drive current

(note 1) IREF resistance [kΩ] = $66 \div [\text{LED drive current [mA]}] \times 4.7[\text{k}\Omega]$. [LED drive current] is possible to be set to 22mA ~ 66mA.

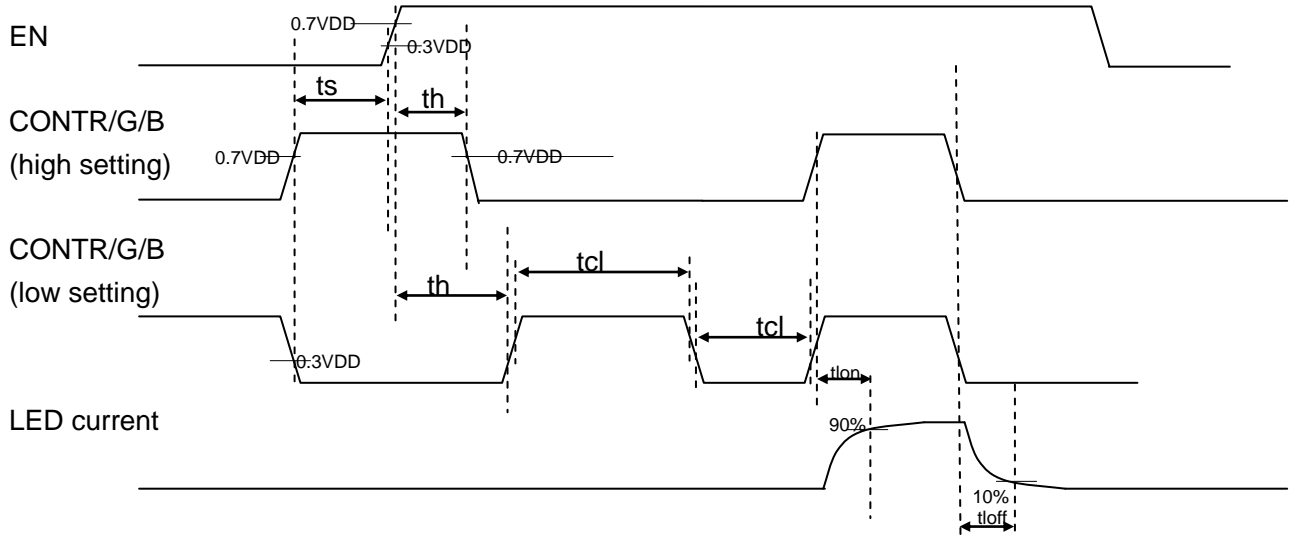
(note 2) In order to keep the normal operation at generation of heat of device, when RGB 3ch simultaneous lighting, the minimum of Vf has restriction.

Example: (when 3ch simultaneous lighting with drive current 33mA, as for the minimum of Vf, in 1ch 1.1V and the remaining 2ch are 2.0V) When you use simultaneous lighting, since we can check for you whether LED Vf combination to use of a drive current value are possible, please contact us.

(note 3) External load: The total line resistance of CPOUT pin ~ LED anode and LED cathode ~ LED_R/G/G pin must be within 2Ω.

(note 4) 50% setting is an upper bound when all channels turn on at the same time.

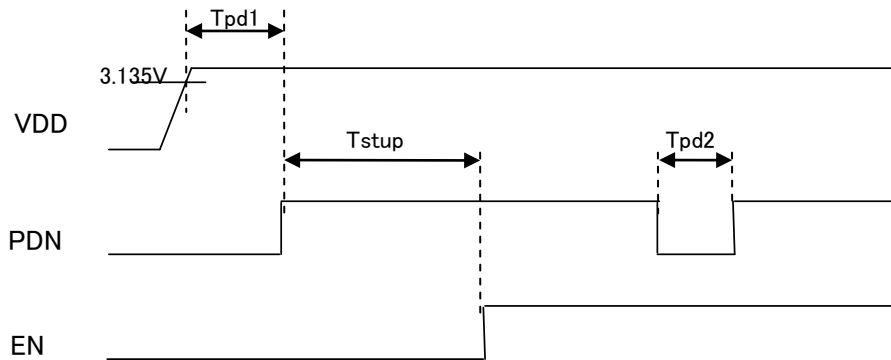
4. LEDD block, switching characteristics



(VDD=3.135~3.465V, Ta=0~70°C, unless otherwise specified)

No.	Item	min.	typ.	max.	Unit	Conditions
t _{lon}	LED current rise time		10		μs	
t _{loff}	LED current fall time		10		μs	
t _s	Reset valid setup time LEDB_EN(0.3AVDD):standard	1			μs	CONTR/G/B to EN(0.3VDD)
t _h	Count up setup time LEDB_EN(0.7AVDD):standard	1			μs	EN(0.7VDD) to CONTR/G/B
t _{cl}	Current set clearing CONT_R/G/B:0.7VDD standard	1			μs	

5. PDN switching characteristics



(VDD=3.135~3.465V, Ta=0~70°C, unless otherwise specified)

Item	Symbol	Pin	Min.	Typ.	Max.	Unit	Conditions
Power down period 1	Tpd1	PDN	150			ns	
Power down period 2	Tpd2	PDN	150			ns	
Start up time	Tstup	EN			1	ms	

(note 1) Please make PDN and EN Low when you turn on the power supply.

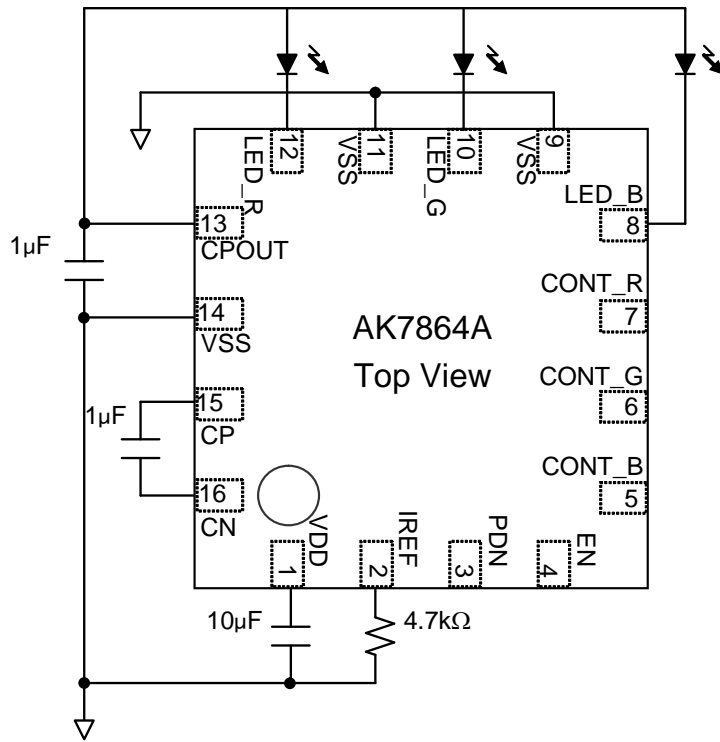
(note 2) LED (CONT_R/G/B control) lighting after max.1ms after EN rise to high.

6. Power Down Characteristic

(VDD=3.135~3.465V, Ta=0~70°C, unless otherwise specified)

Item	Min.	Typ.	Max.	Unit.	Remarks
Supply Current at Power down			20	μA	

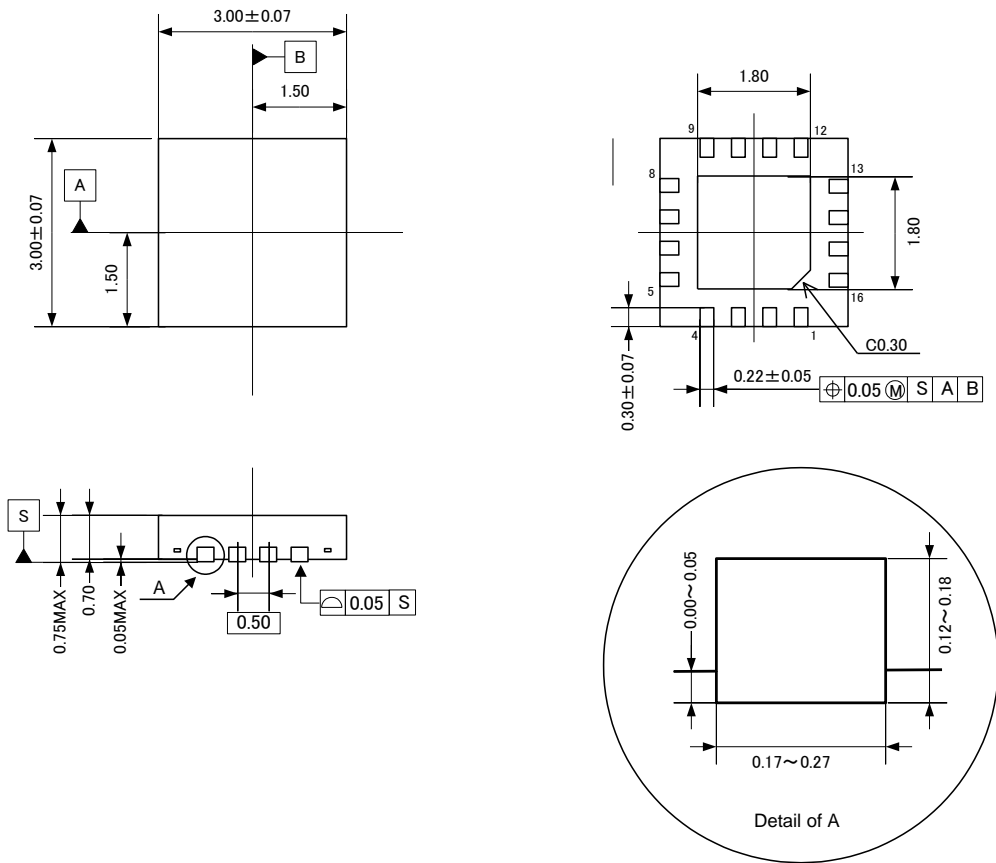
External circuit example



Package

1. Package dimension

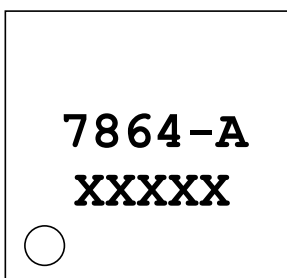
unit [mm]



2. Marking

Marketing code : 7864-A

Date code : XXXXX



IMPORTANT NOTICE

- These products and their specifications are subject to change without notice.
When you consider any use or application of these products, please make inquiries the sales office of Asahi Kasei Microdevices Corporation (AKM) or authorized distributors as to current status of the products.
- AKM assumes no liability for infringement of any patent, intellectual property, or other rights in the application or use of any information contained herein.
- Any export of these products, or devices or systems containing them, may require an export license or other official approval under the law and regulations of the country of export pertaining to customs and tariffs, currency exchange, or strategic materials.
- AKM products are neither intended nor authorized for use as critical components^{Note1)} in any safety, life support, or other hazard related device or system^{Note2)}, and AKM assumes no responsibility for such use, except for the use approved with the express written consent by Representative Director of AKM. As used here:
 - Note1) A critical component is one whose failure to function or perform may reasonably be expected to result, whether directly or indirectly, in the loss of the safety or effectiveness of the device or system containing it, and which must therefore meet very high standards of performance and reliability.
 - Note2) A hazard related device or system is one designed or intended for life support or maintenance of safety or for applications in medicine, aerospace, nuclear energy, or other fields, in which its failure to function or perform may reasonably be expected to result in loss of life or in significant injury or damage to person or property.
- It is the responsibility of the buyer or distributor of AKM products, who distributes, disposes of, or otherwise places the product with a third party, to notify such third party in advance of the above content and conditions, and the buyer or distributor agrees to assume any and all responsibility and liability for and hold AKM harmless from any and all claims arising from the use of said product in the absence of such notification.