

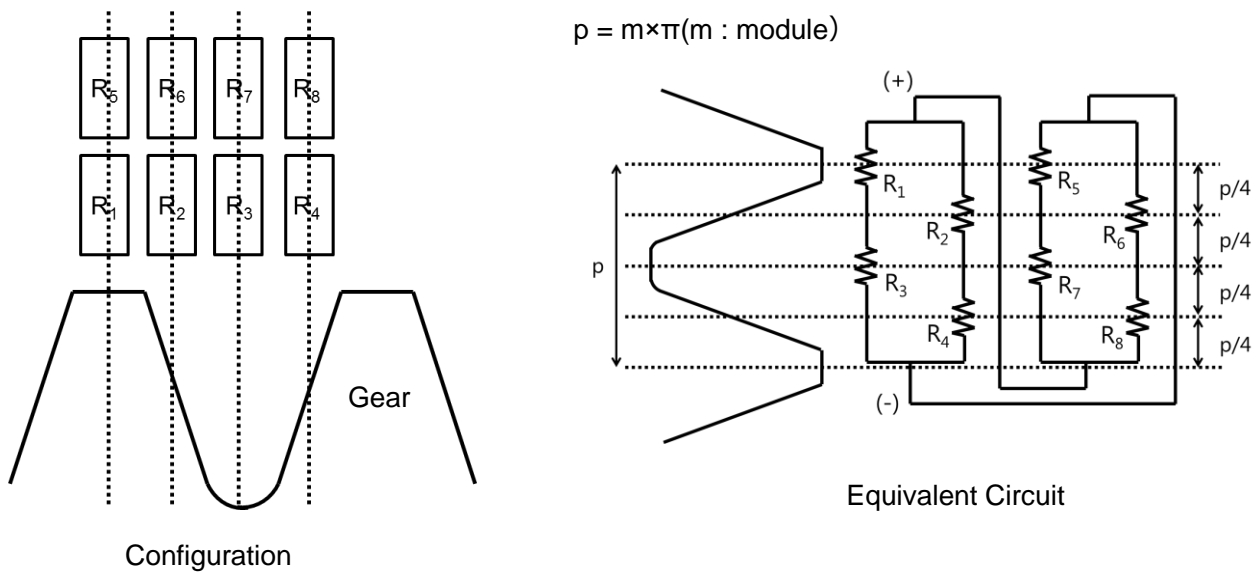


MS0083

Semiconductor Magnetoresistive Element

Semiconductor Magnetoresistive Element Composition

MS0083 generates differential A+/A-, B+/B- phase analog output voltages by combining module $m=0.8$ gear and bias magnet.



Application

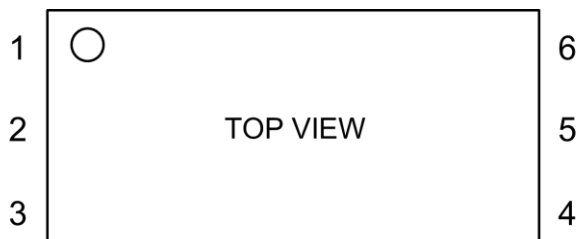
Motor control application (AC servo motor, robot, CNC spindle motor etc.)

Since the analog output voltages produced by SMRE show sine/cosine waves with little distortion corresponding to gear rotation, it is possible to transform the voltages to angle of gear rotation with high resolution over the 20bit by electrical interpolation. It is suitable for high accuracy motor control application and other.

Feature

- Design optimized for 64 to 128 teeth gears of $m=0.8$
 - In $B=0T$, $R_3 < R_1$, $R_2 < R_4$ ($R_7 < R_5$, $R_6 < R_8$), offset voltage is decrease combining gear and bias magnet
- Outputs of analog voltage of ideal sine/cosine wave
- Differential outputs of A+/A- and B+/B- phase

Pin out



- 1. A-
- 2. A+
- 3. VIN
- 4. B+
- 5. GND
- 6. B-

*A+ and A- are differential signal.
 *B+ and B- are differential signal.

Absolute Maximum Ratings

Parameter	Symbol	Min.	Max.	Unit	Notes
Junction Temperature	T _j	-50	150	°C	
Storage Temperature	T _{stg}	-50	150	°C	

WARNING: Operation beyond these limits may cause permanent damage to the device. Even if it does not lead to destruction, reliability and life may be adversely affected. Normal operation is not guaranteed at these extremes.

Recommended Operating Conditions

Parameter	Symbol	Min.	Typ.	Max.	Unit	Notes
Operating Temperature	T _a	-40		125	°C	
Max. Input Power	PD			450	mW	T _a =25°C

WARNING: Electrical and magnetic characteristics are not guaranteed when operated beyond these conditions.

Magnetic & Electrical Characteristics

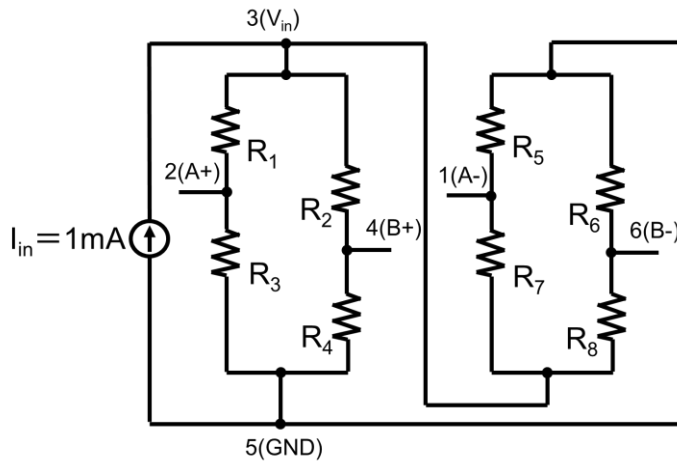
Ta=25°C

Parameter	Symbol	Conditions	Min.	Typ.	Max.	Unit	Note
Input Resistance	$R_{in}(0)$	$I_{in}=1mA$ $B=0T$	290		480	Ω	*1
Input Resistance Change Ratio	$\Delta R_{in} / R_{in}$	$I_{in}=1mA$ $B=0/0.45T$	130			%	*2
Phase-A+/B- Voltage	$V_{A+}(0)$ $V_{B-}(0)$	$V_{in}=5V$, $B=0T$	2.430		2.490	V	*3
Phase-A-/B+ Voltage	$V_{A-}(0)$ $V_{B+}(0)$	$V_{in}=5V$, $B=0T$	2.510		2.570	V	*3
Phase- A+/B- Voltage	$V_{A+}(B)$ $V_{B-}(B)$	$V_{in}=5V$, $B=0.45T$	2.440		2.480	V	*4
Phase- A-/B+ Voltage	$V_{A-}(B)$ $V_{B+}(B)$	$V_{in}=5V$, $B=0.45T$	2.520		2.560	V	*4

Unit T means Tesla. (1T=10kGauss)

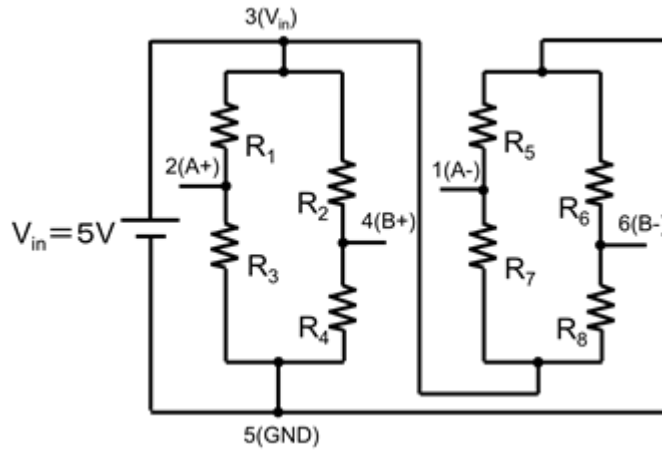
*1 $R_{in}(0)$: Resistance between 3(V_{in}) and 5(GND) in $B=0T$.

*2 $\Delta R_{in} / R_{in} = (R_{in}(B) - R_{in}(0)) / R_{in}(0)$ $R_{in}(B)$: $B=0.45T$



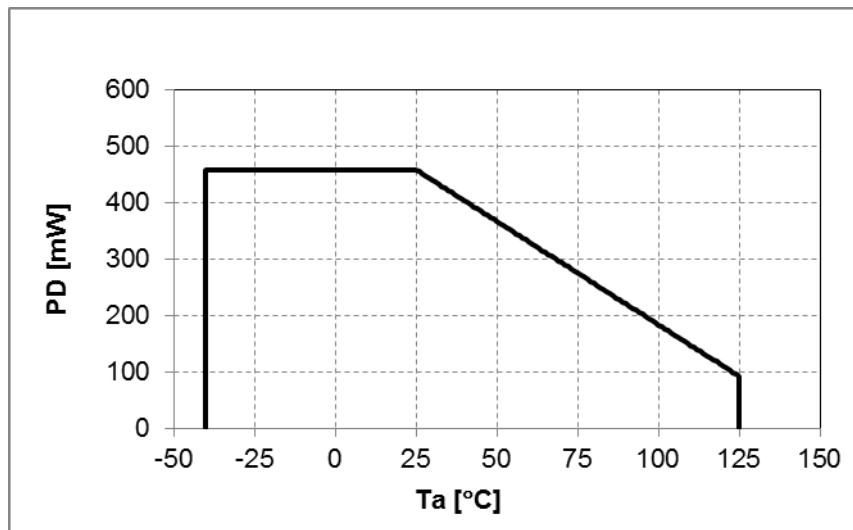
Measurement circuit of $R_{in}(0)$, $\Delta R_{in} / R_{in}$

- *3 $V_{A+}(0)$: Output Voltage of 2(A+) with $3(V_{in})=5V$ and $B=0T$
 $V_{A-}(0)$: Output Voltage of 1(A-) with $3(V_{in})=5V$ and $B=0T$
 $V_{B+}(0)$: Output Voltage of 4(B+) with $3(V_{in})=5V$ and $B=0T$
 $V_{B-}(0)$: Output Voltage of 6(B-) with $3(V_{in})=5V$ and $B=0T$
- *4 $V_{A+}(B)$: Output Voltage of 2(A+) with $3(V_{in})=5V$ and $B=0.45T$
 $V_{A-}(B)$: Output Voltage of 1(A-) with $3(V_{in})=5V$ and $B=0.45T$
 $V_{B+}(B)$: Output Voltage of 4(B+) with $3(V_{in})=5V$ and $B=0.45T$
 $V_{B-}(B)$: Output Voltage of 6(B-) with $3(V_{in})=5V$ and $B=0.45T$



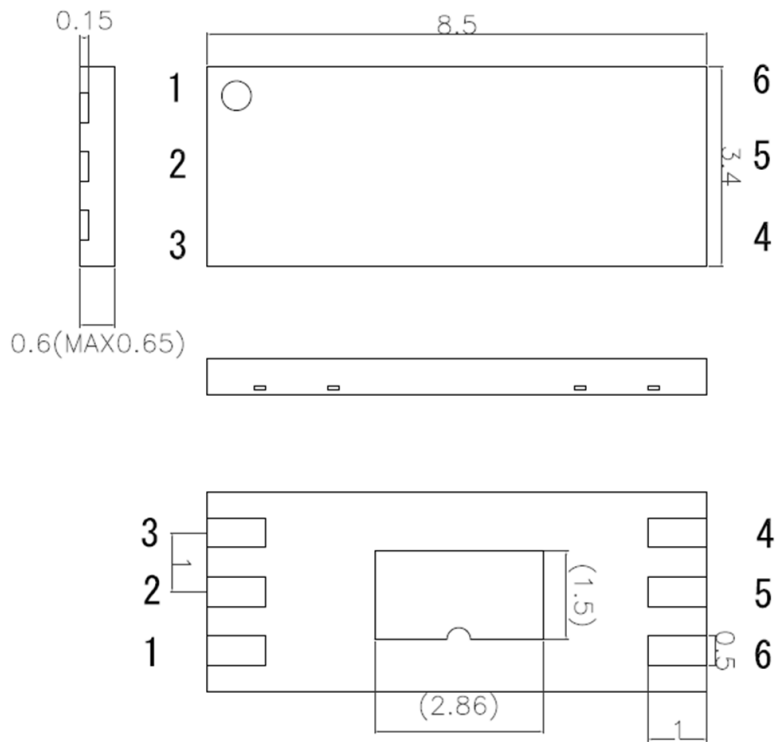
Measurement circuit of $V_{A+}(0)$, $V_{B+}(0)$, $V_{A-}(0)$, $V_{B-}(0)$, $V_{A+}(B)$, $V_{B+}(B)$, $V_{A-}(B)$, $V_{B-}(B)$

Power Dissipation



Package Information

Unit: mm



Material of terminals: Copper alloy

Material of plating: Sn 100%

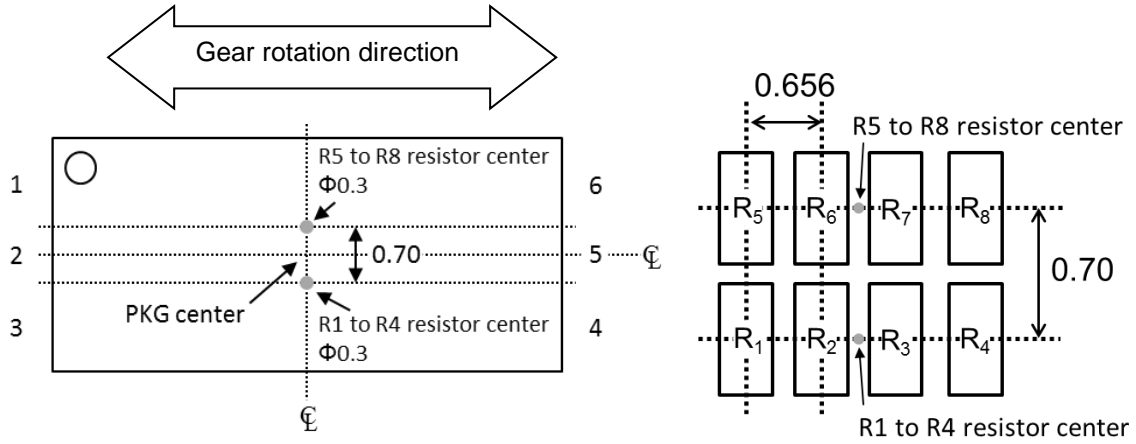
*Halogen free

Note1) The tolerance of dimensions with no mention is ± 0.1 mm.

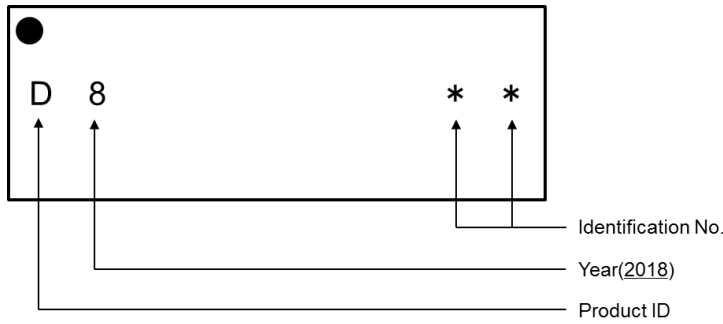
Note2) The metal portions on the package side (support lead) and the center metal area (1.5mm \times 2.86mm) on the package bottom should be isolated from the external circuit and the other support lead. Also, soldering is prohibited.

Resistor Positioning and Alignment (reference)

Unit: mm



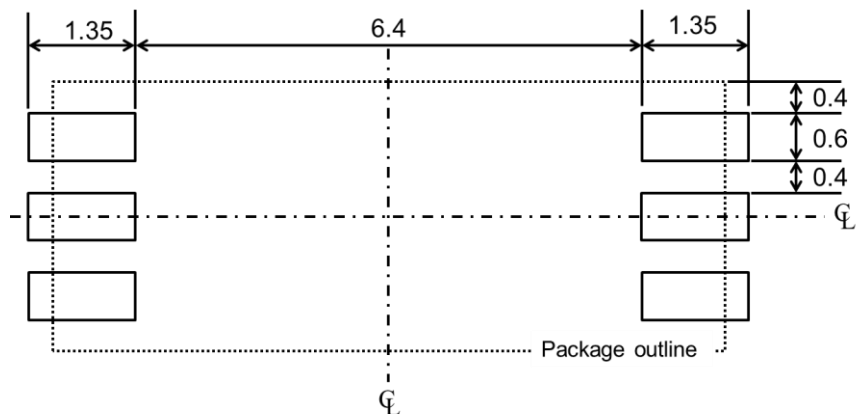
Marking



Mark	Product ID	Mark	Corresponding Year
1		0	2020
2		1	2021
3		2	2022
4		3	2023
5		4	2024
6		5	2025
7		6	2026
8		7	2027
9		8	2018
0		9	2019
A			
B			
C			
D	MS0083		

Recommended Land Pattern (reference)

Unit: mm



RoHS Compliance

MS0083 is compliant with RoHS Directive 2002/95/EC.

Revision History

Date (Y/M/D)	Revision	Reason	Page	Contents
2018/09/11	00	-	-	First edition

IMPORTANT NOTICE

0. Asahi Kasei Microdevices Corporation ("AKM") reserves the right to make changes to the information contained in this document without notice. When you consider any use or application of AKM product stipulated in this document ("Product"), please make inquiries the sales office of AKM or authorized distributors as to current status of the Products.
1. All information included in this document are provided only to illustrate the operation and application examples of AKM Products. AKM neither makes warranties or representations with respect to the accuracy or completeness of the information contained in this document nor grants any license to any intellectual property rights or any other rights of AKM or any third party with respect to the information in this document. You are fully responsible for use of such information contained in this document in your product design or applications. AKM ASSUMES NO LIABILITY FOR ANY LOSSES INCURRED BY YOU OR THIRD PARTIES ARISING FROM THE USE OF SUCH INFORMATION IN YOUR PRODUCT DESIGN OR APPLICATIONS.
2. The Product is neither intended nor warranted for use in equipment or systems that require extraordinarily high levels of quality and/or reliability and/or a malfunction or failure of which may cause loss of human life, bodily injury, serious property damage or serious public impact, including but not limited to, equipment used in nuclear facilities, equipment used in the aerospace industry, medical equipment, equipment used for automobiles, trains, ships and other transportation, traffic signaling equipment, equipment used to control combustions or explosions, safety devices, elevators and escalators, devices related to electric power, and equipment used in finance-related fields. Do not use Product for the above use unless specifically agreed by AKM in writing.
3. Though AKM works continually to improve the Product's quality and reliability, you are responsible for complying with safety standards and for providing adequate designs and safeguards for your hardware, software and systems which minimize risk and avoid situations in which a malfunction or failure of the Product could cause loss of human life, bodily injury or damage to property, including data loss or corruption.
4. Do not use or otherwise make available the Product or related technology or any information contained in this document for any military purposes, including without limitation, for the design, development, use, stockpiling or manufacturing of nuclear, chemical, or biological weapons or missile technology products (mass destruction weapons). When exporting the Products or related technology or any information contained in this document, you should comply with the applicable export control laws and regulations and follow the procedures required by such laws and regulations. The Products and related technology may not be used for or incorporated into any products or systems whose manufacture, use, or sale is prohibited under any applicable domestic or foreign laws or regulations.
5. Please contact AKM sales representative for details as to environmental matters such as the RoHS compatibility of the Product. Please use the Product in compliance with all applicable laws and regulations that regulate the inclusion or use of controlled substances, including without limitation, the EU RoHS Directive. AKM assumes no liability for damages or losses occurring as a result of noncompliance with applicable laws and regulations.
6. Resale of the Product with provisions different from the statement and/or technical features set forth in this document shall immediately void any warranty granted by AKM for the Product and shall not create or extend in any manner whatsoever, any liability of AKM.
7. This document may not be reproduced or duplicated, in any form, in whole or in part, without prior written consent of AKM.

Rev.1