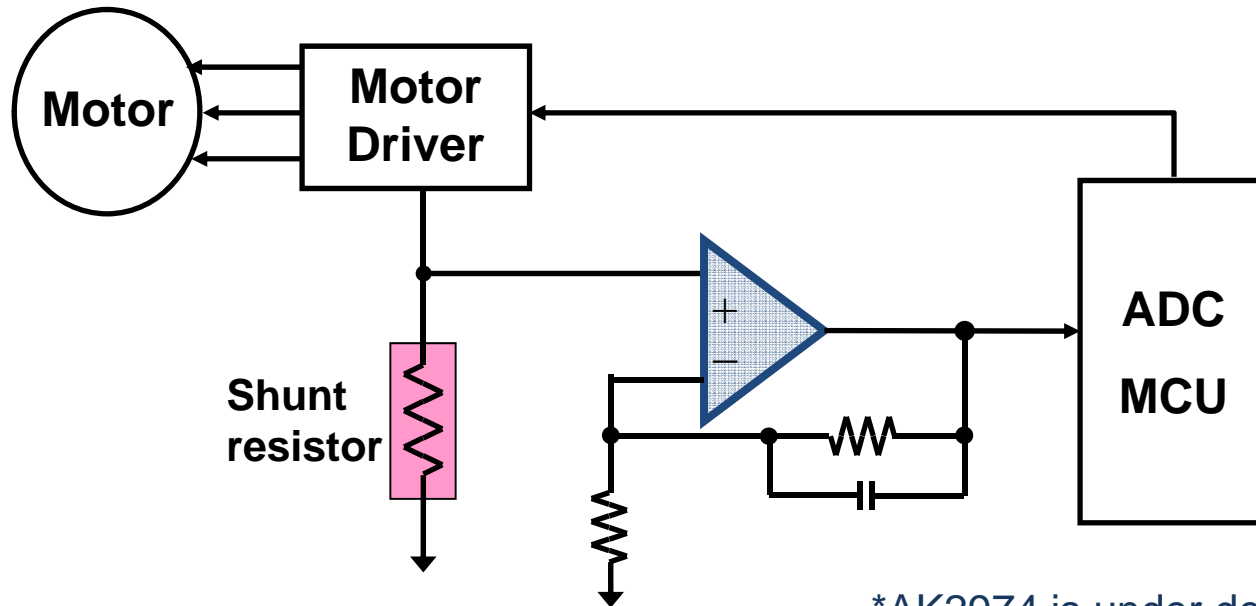


Current sensor example (Inverter Motor)



*AK2974 is under development.

OP amp	Offset (max.)	Slew Rate	GBW
AK2922H	10 μ V	5V/ μ sec	4MHz
AK2974H*	120 μ V	11V/ μ sec	30MHz