



# AK9232/33/34 Reference Design

This document shows circuit and layout diagrams of the AK9232/33/34 as the reference design.

## ■ Circuit Diagram

It shows compositions of power supply decoupling capacitors and analog input filters.

### Peripheral Parts/Pattern Details

R1,R2,C1,C2,C3 : Low-pass Filter of the AIN0

R3,R4,C4,C5,C6 : Low-pass Filter of the AIN1

C7,C8 : Decoupling Capacitor for HVDD

C9,C10 : Decoupling Capacitor for DRVDD

C11,C12 : Decoupling Capacitor for VREFP-VREFN

C13,C14 : Decoupling Capacitor for VDD0

C15,C16 : Decoupling Capacitor for VDD1

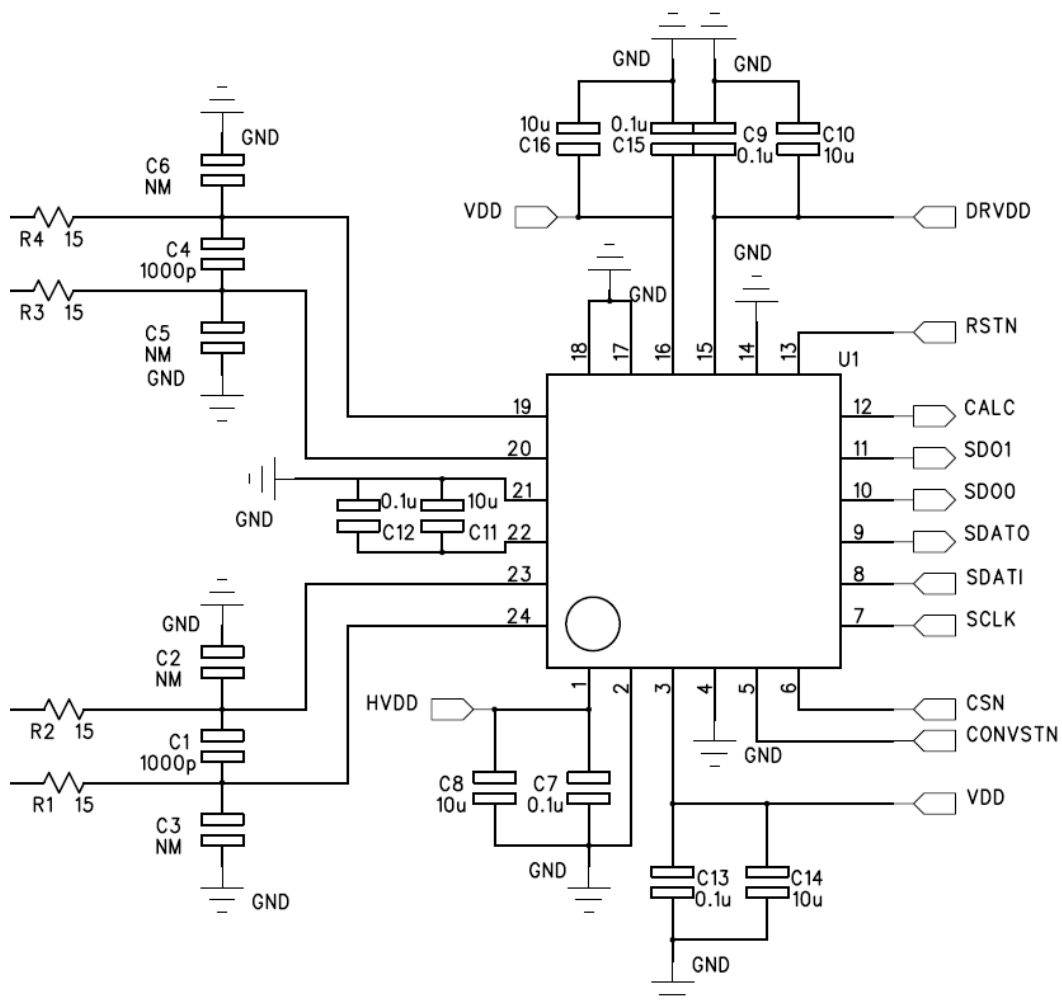


Figure 1 Circuit Diagram

■ Layout

Four layered printing board is used. The second layer is for the ground and the third layer is for power supply. HVDD and DRVDD are separated on the power supply layer.

All areas except parts and wirings are GND in the first and the fourth layers.

All used chip parts here are located as 1005 (1.0mm x 0.5mm) size layout.

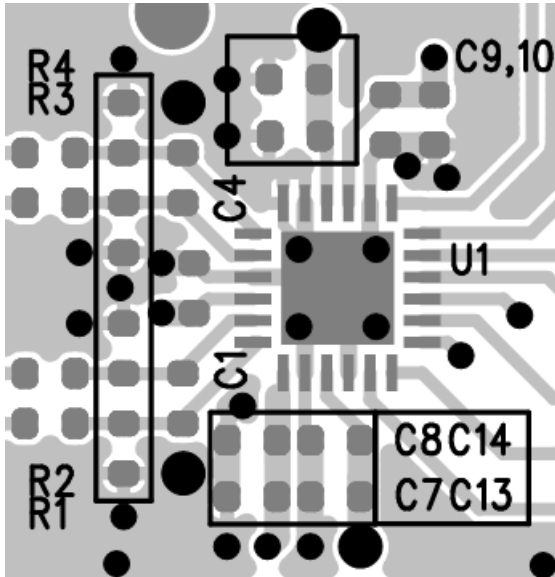


Figure 2 First Layer Layout

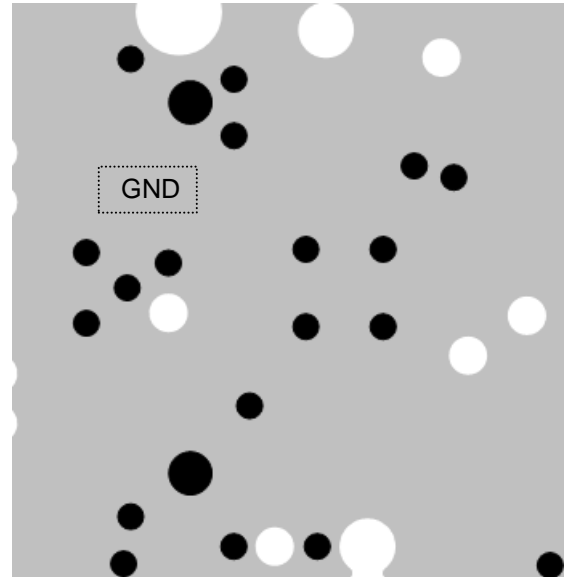


Figure 3 Second Layer Layout

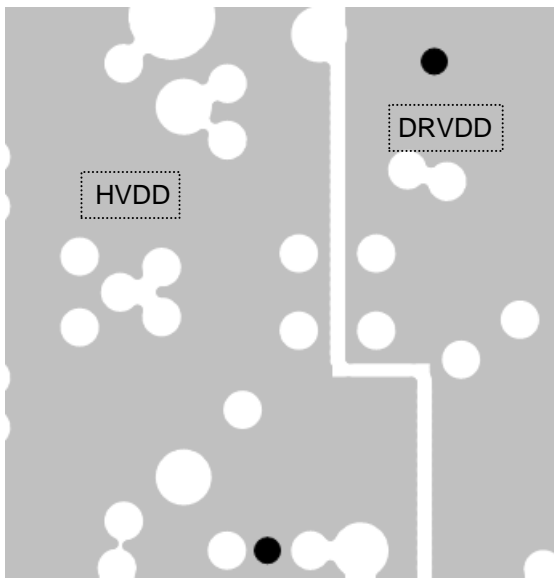


Figure 4 Third Layer Layout

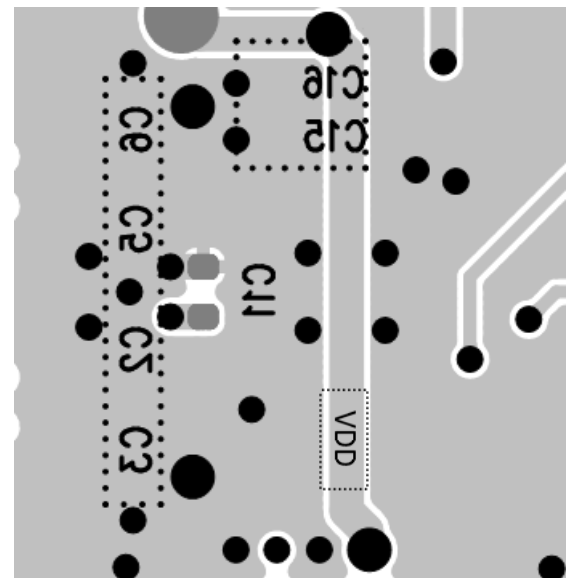


Figure 5 Fourth Layer Layout (Reverse Side)

**Disclaimer**

Please note that this document is written for reference only and it does not guarantee any information written in this document. Asahi Kasei Microdevices Corporations assumes no responsibility for any damages or losses resulting from the use of this document.

**Inquiry**

For any inquiries about this application note, please contact us from the link below.

[<http://www.akm.com/akm/en/support/inquires>](http://www.akm.com/akm/en/support/inquires)