



AK9240 Reference Design

This document shows circuit and layout diagrams of the AK9240 as the reference design.

■ Circuit Diagram

It shows compositions of power supply decoupling capacitors.

Peripheral Parts/Pattern Details

- C7 : Capacitor for LED Driver Band Adjustment
- C8 : Decoupling Capacitor for VDD1
- C9 : Decoupling Capacitor for DRVDD
- C10 : Decoupling Capacitor for VDD0
- C11 : Decoupling Capacitor for VREFP

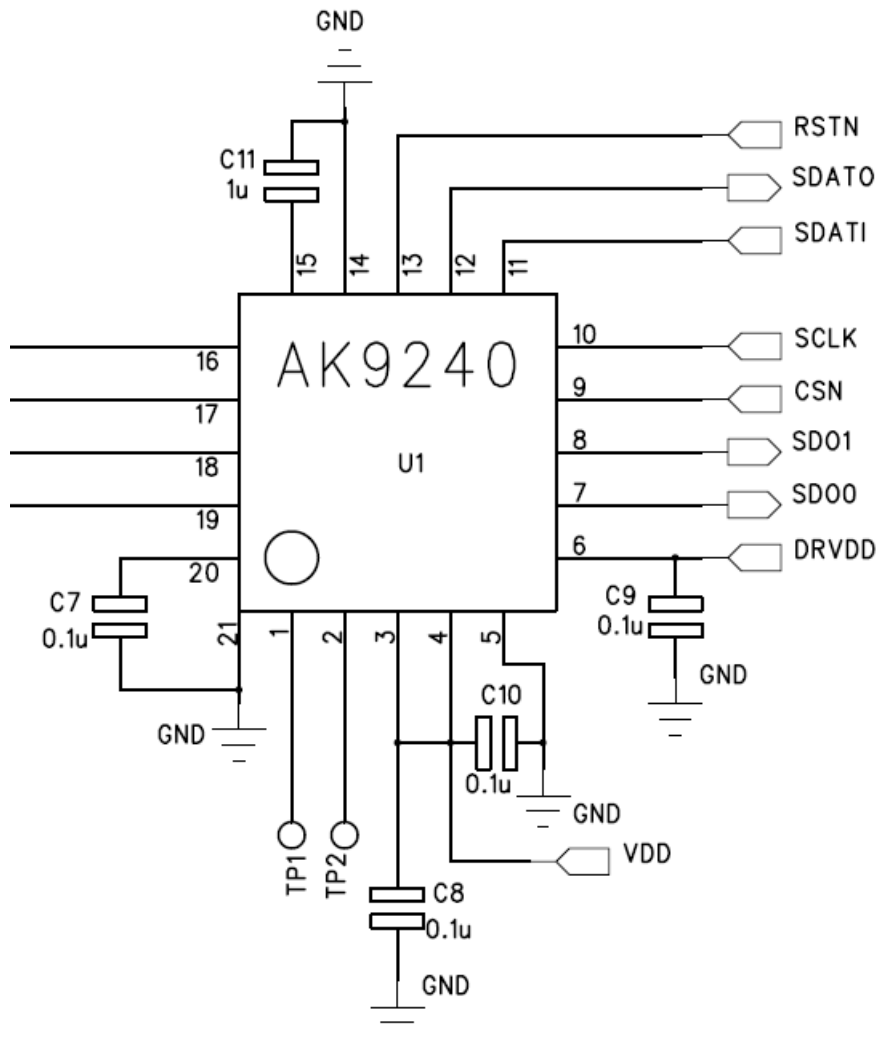


Figure 1 Circuit Diagram

■ Layout

Four layered printing board is used. The second layer is for the ground and the third layer is for power supply. VDD and DRVDD are separated on the power supply layer.

All areas except parts and wirings are GND in the first and the fourth layers.

All used chip parts here are located as 1005 (1.0mm x 0.5mm) size layout.

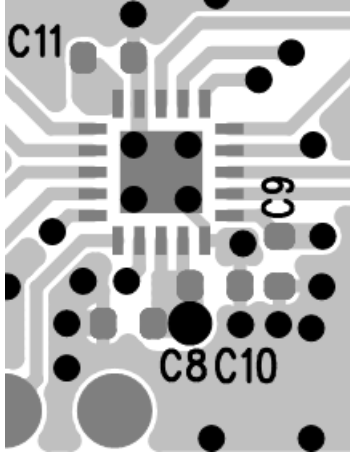


Figure 2 First Layer Layout

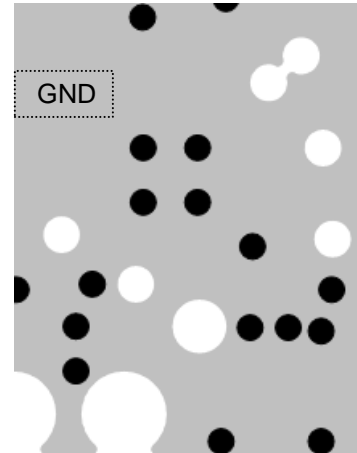


Figure 3 Second Layer Layout

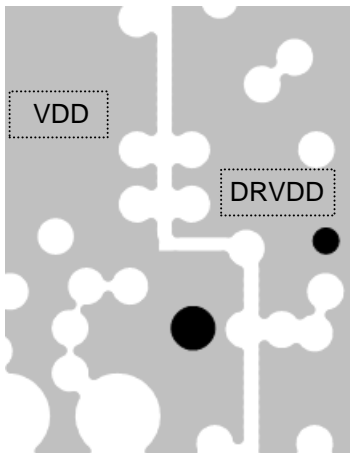


Figure 4 Third Layer Layout



Figure 5 Fourth Layer Layout (Reverse Side)

Disclaimer

Please note that this document is written for reference only and it does not guarantee any information written in this document. Asahi Kasei Microdevices Corporations assumes no responsibility for any damages or losses resulting from the use of this document.

Inquiry

For any inquiries about this application note, please contact us from the link below.

[<http://www.akm.com/akm/en/support/inquires>](http://www.akm.com/akm/en/support/inquires)